

**R32****R410A**

EEV internal model

AS*A004HCAH**AS*A005HCAH****AS*A007HCAH****AS*A009HCAH****AS*A012HCAH****AS*A014HCAH**

EEV external model

AS*E004HCAH**AS*E005HCAH****AS*E007HCAH****AS*E009HCAH****AS*E012HCAH****AS*E014HCAH****CAUTION****R32/R410A
REFRIGERANT**This Air Conditioner contains and operates with refrigerant R32 or R410A.
THIS PRODUCT MUST ONLY BE INSTALLED OR SERVICED BY QUALIFIED PERSONNEL.Refer to Commonwealth, State, Territory and local legislation, regulations, codes, installation & operation manuals, before the installation, maintenance and/or service of this product.

Refer to the rating label for the serial number, manufactured year and month.

FUJITSU GENERAL LIMITED

OPERATING MANUAL

VRF system indoor unit (Wall-mounted type)

Keep this manual for future reference.

BEDIENUNGSANLEITUNG

VRF-System Innengerät (wandmontierter Typ)

Bewahren Sie dieses Handbuch für eine spätere Bezugnahme auf.

MODE D'EMPLOI

Unité intérieure à système VRF (Type montage mural)

Conservez ce manuel pour toute référence ultérieure.

MANUAL DE FUNCIONAMIENTO

Unidad interior del sistema VRF (Tipo montado en pared)

Conserve este manual para posibles consultas futuras.

MANUALE DI ISTRUZIONI

Unità interna del sistema VRF (tipo montato a parete)

Conservare questo manuale per consultazione futura.

ΕΓΧΕΙΡΙΔΙΟ ΛΕΙΤΟΥΡΓΙΑΣ

Εσωτερική μονάδα συστήματος VRF (Επιτοιχίσιος τύπος)

Διατηρήστε το παρόν εγχειρίδιο για μελλοντική αναφορά.

MANUAL DE FUNCIONAMENTO

Unidade interior do sistema VRF (Tipo mural)

Guarde este manual para consulta futura.

KULLANIM KILAVUZU

VRF sistemi iç ünitesi (Duvara monteli tip)

Bu kılavuzu ileride başvurmak üzere saklayın.

MADE IN P.R.C.



PART No. 9377772473-01

English

Deutsch

Français

Español

Italiano

Ελληνικά

Português

Türkçe

CONTENTS

SAFETY PRECAUTIONS..... 1
 NAME OF PARTS 2
 MANUAL AUTO OPERATION 2
 AIRFLOW DIRECTION 2
 OCCUPANCY SENSOR 3
 OPERATING TIPS 3
 CLEANING AND CARE 4
 TROUBLESHOOTING 5
 SPECIFICATIONS..... 6

SAFETY PRECAUTIONS

To prevent personal injury or property damage, read this section carefully before you use this product, and be sure to comply with the following safety precautions.

Incorrect operation due to failure to follow the instructions may cause harm or damage, the seriousness of which is classified as follows:

WARNING

This mark warns of death or serious injury.

CAUTION

This mark warns of injury or damage to property.

This mark denotes an action that is PROHIBITED.

This mark denotes an action that is COMPULSORY.

Explanation of symbols displayed on the indoor unit or outdoor unit.

WARNING
 This symbol shows that this product uses a low burning velocity material. If the refrigerant is leaked and exposed to an external ignition source, there is a risk of fire.

CAUTION
 This symbol shows that the operating manual should be read carefully.

CAUTION
 This symbol shows that a service personnel should be handling this equipment with reference to the installation manual.

CAUTION
 This symbol shows that information is available such as the operating manual or installation manual.

WARNING

The appliance shall be installed, operated and stored in a room with a floor area larger than X m².

Amount of refrigerant charge M (kg)	Minimum room area (m ²)	
	Installation height H (m)	
	1.8 ≤ H < 2.2	2.2 ≤ H
M ≤ 1.842	—	—
1.842 < M ≤ 3.40	10.93	7.32
3.40 < M ≤ 3.50	11.58	7.75
3.50 < M ≤ 4.00	15.13	10.13
4.00 < M ≤ 4.50	19.15	12.82
4.50 < M ≤ 5.00	23.64	15.83
5.00 < M ≤ 5.50	28.61	19.15
5.50 < M ≤ 6.00	34.04	22.79

(IEC 60335-2-40)

WARNING

- This product contains no user-serviceable parts. Always consult authorized service personnel for repairing, installation, and relocation of this product. Improper installation or handling will cause leakage, electric shock, or fire.
- In the event of a malfunction such as burning smell, immediately stop operation of the air conditioner, and disconnect all the power supply by turning off the electrical breaker or disconnecting the power plug. Then consult authorized service personnel.
- Take care not to damage the power supply cable. If it is damaged, it should be replaced only by authorized service personnel in order to avoid a hazard.
- If a refrigerant leakage is suspected, all naked flames shall be removed or extinguished, and consult authorized service personnel.
- In the event of a thunder storm or any prior sign of a lightning strike, turn off the air conditioner via the remote controller, and refrain from touching the product or the power source to prevent any electrical hazards.
- This product shall be stored in a room without continuously operating ignition sources (for example: open flames, an operating gas appliance, or an operating electric heater).
- This product shall be stored in a well-ventilated area.
- Be aware that refrigerants may not contain an odour.
- This product shall be stored so as to prevent mechanical damage from occurring.
- Disposing of the product shall be done properly, in compliance with national or regional regulations.
- During transportation or relocation of the indoor unit, pipes shall be covered with the wall hook bracket for protection. Do not move this product by holding the indoor unit pipes. (The stress applied to the pipe joints may cause the flammable gas to leak during operation).
- This product is not intended for use by persons (including children) with reduced physical, sensory or mental capabilities, or lack of experience and knowledge, unless they have been given supervision or instruction concerning use of this product by a person responsible for their safety. Children should be supervised to ensure that they do not play with this product.
- Dispose of the packing materials safely. Tear and dispose of the plastic packing bags so that children cannot play with them. There is danger of suffocation if children play with the original plastic bags.

- Do not install the unit in area filled with mineral oil such as a factory or area containing a large amount of splashed oil or steam such as a kitchen.
- Do not start or stop the operation of this product by inserting or pulling out the power plug, or by turning on or off the circuit breaker.
- Do not use flammable gases near this product.
- Do not expose yourself directly to the cooling airflow for many hours.
- Do not insert your fingers or any other objects into outlet port or inlet port.
- Do not operate with wet hands.
- Do not use means to accelerate the defrosting process or to clean this product, other than those recommended by the manufacturer.
- Do not pierce or burn.

CAUTION

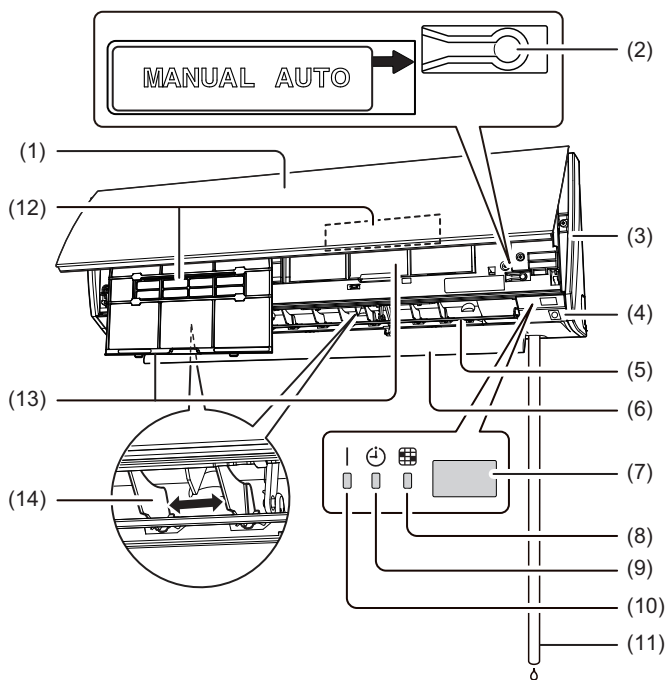
- Provide occasional ventilation during use.
- Always operate this product with air filters installed.
- Ensure that any electronic equipment is at least 1 m (40 in) away from this product.
- Disconnect all the power supply when not using this product for extended periods.
- After a long period of use, ensure to get the mounting of the indoor unit checked to prevent this product from falling down.

CAUTION

- The airflow direction and the room temperature should be carefully considered when you use this product in a room with infants, children, elderly or sick persons.
 - Keep the surroundings of the outdoor unit clean and tidy, and do not place items around it. Any objects blocking or entering from the outlet ports may cause product malfunction.
- Do not direct the airflow at fireplaces or heating apparatus.
 - Do not block or cover the intake grille and the outlet port.
 - Do not apply any heavy pressure to the radiator fins.
 - Do not climb on, place objects on, or hang objects from this product.
 - Do not place any other electrical products or household belongings under this product. Dripping condensation from this product might get them wet and may cause damage or malfunction of your property.
 - Do not expose this product directly to water.
 - Do not use this product for the preservation of food, plants, animals, precision equipment, artwork, or other objects. This may cause quality deterioration of those items.
 - Do not expose animals or plants to the direct airflow.
 - Do not drink the drainage from the air conditioner.
 - Do not pull the power supply cable.
 - Do not touch the aluminum fins of heat exchanger built-in this product to avoid personal injury when you maintain the unit.
 - Do not stand on unstable steps when operating or cleaning this product. It may overturn and can cause injury.

This product contains fluorinated greenhouse gases.

NAME OF PARTS



- (1) Intake grille
- (2) MANUAL AUTO button: This is used to operate it while remote controller is not available.
- (3) Front panel
- (4) Occupancy sensor
- (5) Vertical airflow direction louver
- (6) Power diffuser
- (7) Remote control signal receiver: This is the place to receive the signals from the remote controller.
- (8) FILTER Indicator Lamp (red): It lights on if the filter became dirty. Clean the filter referring to "CLEANING AND CARE". It lights off when RESET button is pressed after cleaning.
- (9) TIMER Indicator Lamp (orange): It lights on while timer is working.
- (10) OPERATION Indicator Lamp (green): It lights on while operating.
- (11) Drain hose
- (12) Air cleaning filter
- (13) Air filter
- (14) Horizontal airflow direction louver (behind Vertical airflow direction louver)

Control unit (optional)

Types of remote controllers:

- Wireless remote controller
- Wired remote controller
- Simple remote controller

For operation method, refer to the operating manual of each device.

MANUAL AUTO OPERATION

Use the MANUAL AUTO operation in the event the remote controller is lost or otherwise unavailable.

CAUTION

Do not press the MANUAL AUTO button with wet hands or pointed objects, otherwise an electric shock or malfunction may occur.

Starting Operation

Press the MANUAL AUTO button on the operating control panel.

The operation can be set in the following setting.

Operating mode	AUTO: When Auto mode cannot be selected, it will operate in the same mode as the other indoor unit in the same system. (When other indoor unit in the same system doesn't operate, the air conditioner will operate in cooling.)
Fan speed	AUTO
Setting temperature	23 °C

Stopping Operation

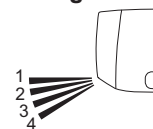
Press the MANUAL AUTO button on the operating control panel.

AIRFLOW DIRECTION

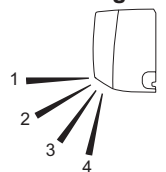
Vertical airflow direction

The vertical wind direction can be controlled with the remote controller.

Cooling and Dry

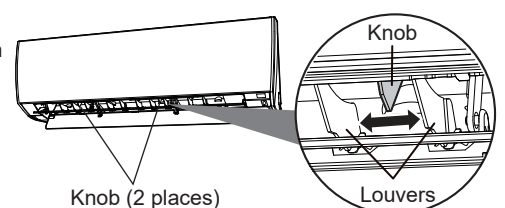


Heating



Horizontal airflow direction

The horizontal airflow direction can be manually set by adjusting Horizontal airflow direction louvers.



OCCUPANCY SENSOR

About the occupancy sensor

The Occupancy sensor detects whether there are people in the room by looking for movement by people in the room.

Setting of Occupancy sensor can be done in the remote controller of the following. Refer to the operating manual of the remote controller.

- UTY-RNR*Z* (wired remote controller)

About the Auto saving operation

If no one enters the room during the set time (15, 30, 60, 90, 120, 180 minutes), the set temperature will be automatically controlled.

(When someone comes back into the room, the Occupancy sensor will detect this, and automatically revert to the original settings.)

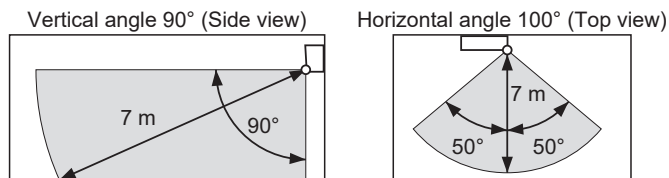
About the Auto-off operation

If no one enters the room during the set time (1 to 24 hours in 1 hour increments), the air conditioner will automatically stop operation.

NOTES:

- To restart operation, press the [On/Off] button of the remote controller.
- The Auto-off operation may not operate even if there is no one in the room. The sensor may incorrectly detect people even if there is no one in the room.

Application range



NOTES:

- Energy Saving function may not work when the room temperature is very different from the temperature defined in temperature setting, such as when immediately after starting the operation.
- Since the Occupancy sensor detects infrared light given out by people, there may be cases where this detection is incorrect.

Situations in which the sensor will detect no people in the room, even when there is someone there

- When the temperature is high and the difference with between people's body temperature is small. (Such as during the summer when the temperature is 30°C or higher.)
- When there is someone in the room, but they do not move for a long period of time.
- When someone is hidden behind a sofa, other furniture, glass, or in similar situations.
- When someone is wearing extremely thick clothing and has their back facing the sensor.

Situations in which the sensor will incorrectly detect people in the room, even when there is no one there

- When there is a dog or a cat moving around in the room.
- When the wind is making curtains or plants move.
- When there are heating units, humidifiers, or electric appliances such as oscillating electric fans operating.

OPERATING TIPS

Operation and Performance

About priority state and standby state

- Multiple indoor units can be connected within the same system. Depending on the system, choice of operating mode are limited.

Cooling priority state:

When the other indoor units within the same system operate in cooling or dry mode, heating cannot be selected at the same time.

Heating priority state:

When the other indoor units within the same system operate in heating mode, cooling and dry mode cannot be selected at the same time.

Standby state:

The standby state activates when 2 or more indoor units start up at the same time in different mode. Any indoor unit other than priority mode will wait in standby state until priority mode changes (operation starts as soon as priority is switched).

At this time, the OPERATION indicator lamp (green) lights up and the TIMER indicator lamp (red) blinks.

Low ambient cooling

- When the outdoor temperature drops, the outdoor unit's fans may switch to Low Speed, or one of the fans may stop intermittently.

Heating performance

- Heating mode operates on the heat pump principle, absorbing heat from outdoor air and transferring that heat indoors. As a result, the operating performance is reduced as outdoor air temperature drops. If you feel that insufficient heating performance is being produced, we recommend you use this air conditioner in conjunction with another type of heating appliance.
- Heating mode heat your entire room by recirculating air throughout the room, with the result that some time may be required after first starting the air conditioner until the room is heated.

Automatic defrosting

- When using the Heating mode under conditions of low outdoor air temperature high humidity, frost may form on the outdoor unit, resulting in reduced operating performance. In order to prevent this kind of reduced performance, this unit is equipped with an Automatic defrosting function. If frost forms, the air conditioner will temporarily stop, and the defrosting circuit will operate briefly (for about 4 to 15 minutes). During Automatic defrosting operation, the OPERATION indicator lamp (green) will blink.

Oil recovery operation

- Periodically, the Oil recovery operation is performed in order to return compressor oil to the outdoor unit. During Oil recovery operation, the OPERATION indicator lamp (green) will blink (for about 10 minutes).

Operable conditions of temperature and humidity

- The temperature and humidity required for operating this product is as shown in the following table.

	Cooling/Dry mode	Heating mode
Outdoor temperature	Refer to the specification of outdoor units.	
Indoor temperature	18 to 32 °C DB	10 to 30 °C DB
Indoor humidity	About 80% or less	

- If the air conditioner is operated under higher temperature conditions than those listed, the built-in protection circuit may operate to prevent internal circuit damage. Also, during Cooling and Dry modes, if the unit is used under conditions of lower temperature than those listed above, the heat-exchanger may freeze, leading to water leakage and other damage.

- If the unit is used for long periods under high-humidity conditions, condensation may form on the surface of the indoor unit, and drip onto the floor or other objects underneath.
- Do not use this unit for any purposes other than the Cooling, Heating, Dehumidifying, and air-circulation of rooms in ordinary dwellings.

CLEANING AND CARE

CAUTION

- Before cleaning the indoor unit, be sure to turn it off and all the power supply has been disconnected.
- Before starting operation, make sure that the intake grille has been shut completely. Incomplete closing of the intake grille might have an effect on the proper working or performance of the air conditioner.
- Do not touch the aluminum fins of heat exchanger built-in the indoor unit to avoid personal injury when you maintain the unit.
- Do not expose the indoor unit to liquid insecticides or hair sprays.
- Do not stand on slippery, uneven or unstable surfaces when you maintain the unit.

Cleaning the intake grille and the air filter

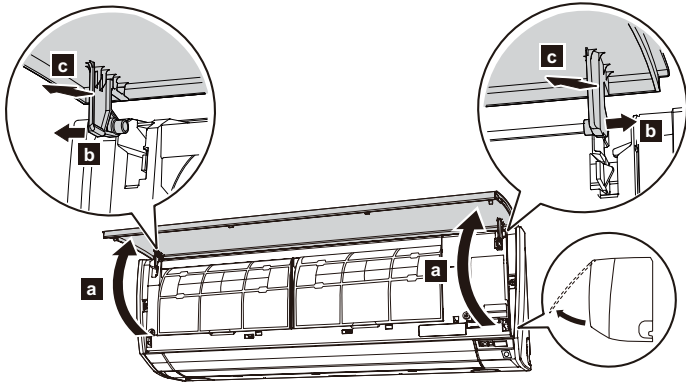
Daily care

When cleaning the indoor unit body, mind the following:

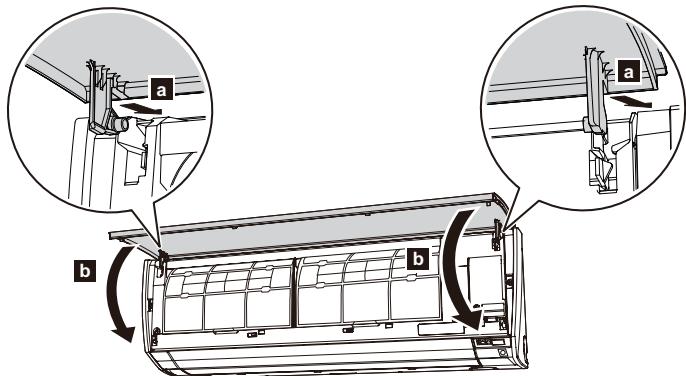
- Do not use water hotter than 40 °C.
- Do not use scouring cleanser, volatile solvents such as benzene or thinner.
- Wipe the unit gently by using a soft cloth.

Cleaning the intake grille

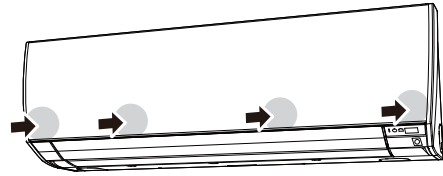
- (1) Open the intake grille in direction of the arrow [a]. While gently pressing the left and right mounting shafts of the intake grille outward [b], remove the intake grille in direction of the arrow [c].



- (2) Wash the intake grille gently with water or wipe it gently with a soft cloth moisten with warm water. Then wipe it with a dry and soft cloth.
- (3) While holding the grille horizontal, set the left and right mounting shafts into the pillow blocks at the top of the panel [a]. To latch each shaft properly, insert the shaft until it snaps. Then close the intake grille [b].



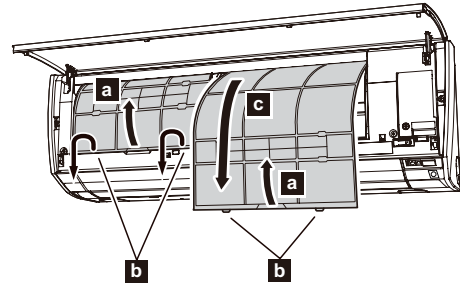
- (4) Press 4 places on the intake grille to close it completely.



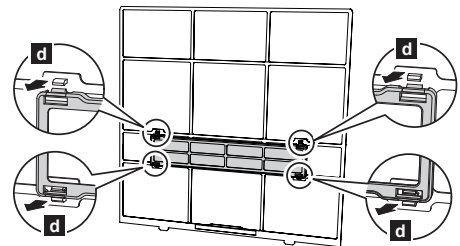
Cleaning the air filters

Mind that you have a periodical cleaning of the air filters to prevent reducing the operation efficiency of the product. Using of clogged air filter with dust will lower the product performance, and may cause airflow reduction or increase of operating noise. Clean the air filters once every 2 weeks under normal use.

- (1) Open the intake grille.
(Refer to [a] of step 1 in "Cleaning the intake grille".)
- (2) While holding the intake grille with your hand, pull up the handle [a] of the filter in direction of the arrow and release the 2 claws [b]. Then pull the filter out with gently sliding it downward [c].



- (3) Filter holder and air cleaning filter are attached on the rear side of the air filter. Remove them from the air filter by unlatching each corner of the filter holder [d].



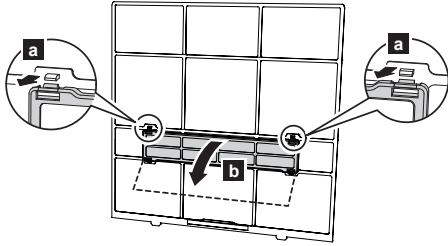
- (4) Remove dust by using a vacuum cleaner or by washing the filter. When you wash the filter, use neutral household detergent and warm water. After rinse the filter well, dry it thoroughly in a shaded place before you reinstall it.
- (5) Attach the air cleaning filter and the filter holder to each air filter.
- (6) Attach the air filter with aligning both side of the filter with the front panel, and push in the filter fully.

NOTE:

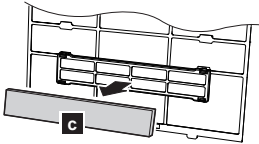
- Make sure that 2 claws are firmly snapped to the guide holes on the panel.
- (7) Close the intake grille firmly.
(Refer to step 4 in "Cleaning the intake grille".)

Replacing the air cleaning filter

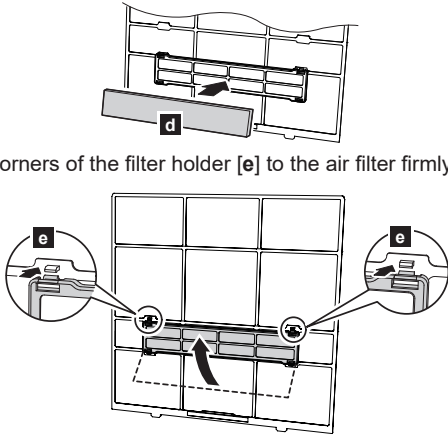
- (1) Remove the air filter. (Refer to step 1 in "Replacing the air filter".)
- (2) Release 2 latches [a] of the filter holder, and turn over the holder in direction of arrow [b].
Remove the soiled air cleaning filter [c].



- (3) Attach new or maintained air cleaning filter [d] to the filter holder.
New air cleaning filter can be attached to either of the right holder or the left holder.



- (4) Latch 2 corners of the filter holder [e] to the air filter firmly.



- (5) Reinstall the air filter.
(Refer to step 6 in "Cleaning the air filters".)
- (6) Close the intake grille firmly.
(Refer to step 4 in "Cleaning the intake grille".)

Following 2 types of air cleaning filters are used in this product.

When you replace them, purchase dedicated air cleaning filters for this product.

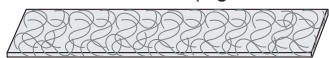
Apple-catechin filter: UTR-FA16 (1 sheet)



The Apple-catechin filter uses static electricity to clean fine particles and dust in the air such as tobacco smoke and plant pollen that are too small to see.

- This filter is disposable. Do not wash or reuse it.
- Once you open the package, use it as soon as possible. The cleaning effect is reduced if the filter is left with the package opened.
- Replace the filter once every 3 months under normal use.
- By setting the fan speed high, the air cleaning effect increases.

Ion deodorization filter: UTR-FA16-2 (Light blue, 1 sheet)



The filter deodorizes by powerfully decomposing absorbed odors using the oxidizing and reducing effects of ions generated by the ultra-fine-particle ceramic.

- To maintain the deodorizing effect, clean the filter once every 3 months as follows:
 - 1) Remove the filter.
 - 2) Flush the filter with high-pressure hot water until the surface of the filter is covered with water.
 - 3) Wash the filter gently with diluent neutral detergent. Do not wash it by wringing or rubbing to prevent reducing the deodorizing effect by damage.
 - 4) Rinse the filter well with water flow.
 - 5) Dry the filter thoroughly in a shaded place.
 - 6) Reinstall the filter to the indoor unit.

- Replace the filter once every 3 years under normal use.

When not using for an extended period

Leave the breaker on for at least 12 hours before starting operation when it is to be used again.

After extended non-use of the unit

If you have shut down the indoor unit for 1 month or more, perform the FAN operation for half a day to dry the internal parts thoroughly before you perform normal operation.

Additional inspection

After long period of use, accumulated dust inside the indoor unit may reduce the product performance even if you have maintained the unit with instructed daily care or cleaning procedures written in this manual.

In such a case, a product inspection is recommended.

For more information, consult authorized service personnel.

TROUBLESHOOTING

The following conditions are not breakdowns or operation failures.

Doesn't operate immediately:

- If the unit is stopped and then immediately started again, the compressor will not operate for about 3 minutes, in order to prevent fuse blowouts.
- Whenever the electrical breaker is turned off then on again, the protection circuit will operate for about 3 minutes, preventing unit operation during that period.

Airflow is weak or stops:

- When Heating operation is started, indoor unit's fan may temporarily stop, to allow internal parts to warm up.
- During Heating operation, if the room temperature rises above the thermostat setting, the outdoor unit will stop, and the indoor unit's fan will stop. If you wish to warm the room further, set the thermostat for a higher setting.
- During Oil recovery operation, the airflow may stop for approximately 10 minutes. (Refer to "OPERATING TIPS")
- During Heating operation, the unit will temporarily stop operation (between 4 and 15 minutes) as the Automatic defrosting mode operates. (Refer to "OPERATING TIPS")
- The fan may operate at low speed during Dry operation or when the unit is monitoring the room's temperature.
- In the monitor AUTO operation, the fan will operate at low speed.

Blinking lamps:

- The OPERATION indicator lamp (green) blinks:
An Oil recovery operation is being performed. (Refer to "OPERATING TIPS")
- The OPERATION indicator lamp (green) blinks:
An Automatic defrosting operation is being performed. (Refer to "OPERATING TIPS")
- The OPERATION indicator lamp (green) and TIMER indicator lamp (orange) are blinking alternately:
It has recovered from a power outage.
- The OPERATION indicator lamp (green) and TIMER indicator lamp (orange) are blinking simultaneously:
It is operating in Trial operation mode. Ask a manager as there may be maintenance being conducted.
- The OPERATION indicator lamp (green) lights up and the TIMER indicator lamp (orange) blinks:
This is the standby state. (Refer to "OPERATING TIPS")

Noise is heard:

- In the following conditions there are sounds of water flowing from the indoor unit and the operation sound becomes loud. These are the sounds of the flowing of refrigerant.
 - When operation starts
 - When Oil recovery operation finishes
 - When Automatic defrosting operation finishes
- During operation, a slight squeaking sound may be heard. This is the result of minute expansion and contraction of the panel due to temperature changes.
- During Heating operation, a sizzling sound may be heard occasionally. This sound is produced by the Automatic defrosting operation. (Refer to "OPERATING TIPS")

Smells:

- Some smell may be emitted from the indoor unit. This smell is the result of room smells (furniture, tobacco, etc.) which have been taken into the air conditioner.

Fog comes out of the indoor unit:

- During Cooling operation, a thin mist may be seen emitted from the indoor unit. This results from the sudden Cooling of room air by the air emitted from the air conditioner, resulting in condensation and misting.

Steam comes out of the indoor unit:

- During Heating operation, the outdoor unit's fan may stop, and steam may be seen rising from the unit. This is due to the Automatic defrosting operation. (Refer to "OPERATING TIPS")

Water is produced from the outdoor unit:

- During Heating operation, water may be produced from the outdoor unit due to the Automatic defrosting operation.

The following conditions may not be breakdowns so check again.

Doesn't operate at all:

- Has there been a power failure?
- Has a fuse blown out, or a circuit breaker been tripped?
- Is the main power switch set to the OFF position?
- Are you trying to engage in an operation different from the priority state? (Refer to "OPERATING TIPS")
- Is it in standby state? (Refer to "OPERATING TIPS")
- Is the Auto-off operation of the Occupancy sensor setting active? (Refer to "OCCUPANCY SENSOR")

The operation mode cannot be changed:

- Are you trying to change to an operation different from the priority conditions? (Refer to "OPERATING TIPS")

Poor Cooling (or Heating) performance:

- Did you adjust the room temperature settings (thermostat) correctly?
- Is the air filter dirty? (Refer to "CLEANING AND CARE")
- Are the air conditioner's inlet port or outlet port blocked?
- Is there a window or door open?
- In the case of Cooling operation, is a window allowing bright sunlight to enter? (Close the curtains.)
- In the case of Cooling operation, are there heating apparatus and computers inside the room, or are there too many people in the room?
- Is the fan speed set to low?
- Is the Auto saving operation of the Occupancy sensor setting active? (Refer to "OCCUPANCY SENSOR")

Set the temperature lower than the room temperature and use it:

- Temperature does not fall down well.
 - Temperature may not fall down depending on the room conditions. (While high humidity or the room temperature is high.) (Refer to "OPERATING TIPS")

In following situations stop operation immediately and get in touch with authorized service personnel.

- The problem cannot be solved even when the troubleshooting checks have been performed.
- The FILTER indicator lamp (red) is blinking very fast.
- The wired remote controller or simple remote controller indicate Er (when connected).
- It has burning smell.

SPECIFICATIONS

Model	AS*A004 HCAH	AS*A005 HCAH	AS*A007 HCAH	AS*A009 HCAH	AS*A012 HCAH	AS*A014 HCAH	
Power source	220 - 240 V ~ 50 Hz						
Available voltage range	198 to 264 V						
Cooling capacity	[kW]	1.1	1.7	2.2	2.8	3.6	4.0
	[Btu/h]	3800	5800	7500	9600	12300	13600
Heating capacity	[kW]	1.3	1.9	2.8	3.2	4.0	4.5
	[Btu/h]	4400	6500	9600	10900	13600	15400
Input power	[W]	12	12	16	19	25	35
Current	[A]	0.12	0.12	0.16	0.19	0.22	0.28
Sound pressure level							
High	dB [A]	31	31	34	37	40	44
Med - high	dB [A]	30	30	32	34	37	42
Med	dB [A]	28	28	30	32	34	40
Med - low	dB [A]	27	27	28	29	33	37
Low	dB [A]	26	26	26	26	30	34
Quiet	dB [A]	22	22	22	22	22	22
Dimensions and weight							
Height	[mm]	268					
Width	[mm]	840					
Depth	[mm]	203					
Weight	[kg]	8.0		8.5			

Model	AS*E004 HCAH	AS*E005 HCAH	AS*E007 HCAH	AS*E009 HCAH	AS*E012 HCAH	AS*E014 HCAH	
Power source	220 - 240 V ~ 50 Hz						
Available voltage range	198 to 264 V						
Cooling capacity	[kW]	1.1	1.7	2.2	2.8	3.6	4.0
	[Btu/h]	3800	5800	7500	9600	12300	13600
Heating capacity	[kW]	1.3	1.9	2.8	3.2	4.0	4.5
	[Btu/h]	4400	6500	9600	10900	13600	15400
Input power	[W]	12	12	16	19	25	35
Current	[A]	0.12	0.12	0.16	0.19	0.22	0.28
Sound pressure level							
High	dB [A]	31	31	34	37	40	44
Med - high	dB [A]	30	30	32	34	37	42
Med	dB [A]	28	28	30	32	34	40
Med - low	dB [A]	27	27	28	29	33	37
Low	dB [A]	26	26	26	26	30	34
Quiet	dB [A]	22	22	22	22	22	22
Dimensions and weight							
Height	[mm]	268					
Width	[mm]	840					
Depth	[mm]	203					
Weight	[kg]	8.0		8.5			

• Acoustic noise information:

The maximum sound pressure level is less than 70 dB (A) for both indoor unit and outdoor unit. According IEC 704-1 and ISO 3744.

- This product contains fluorinated greenhouse gases.

FUJITSU GENERAL LIMITED

3-3-17, Suenaga, Takatsu-ku, Kawasaki 213-8502, Japan