

New Product

2~8°C Pharmacy Refrigerator



YC-650CL

Touch control
Intelligent Control & Constant Temperature
Multiple Alarms Bring More Security



Temp. fluctuation



Pulling down to 5°C



Temp. recovery after door opened for 1 min

*Typical freezer data based on internal testing with freezer set point at 5°C and ambient temperature at 25°C.

● Features



Adjustable shelves' heights



ENERGY STAR certificate



Hydrocarbon refrigerant
Environment-friendly natural gas



CE certificate



Touch screen
7" LCD touch screen

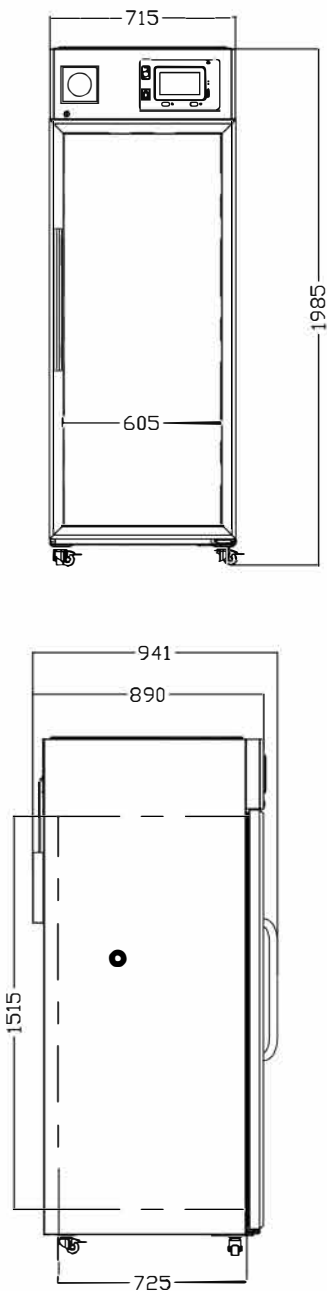


Alarms system
10 kinds of alarm functions

● Structure



Dimensions



Specification

2~8°C Pharmacy Refrigerator	
Model	YC-650L
Power supply(V/HZ)	220-240/50
Capacity	650L/22.95Cu.Ft.
Internal size (W*D*H) mm/inch	605*725*1515/23.82*28.54*59.65
External size (W*D*H) mm/inch	715*890*1985/28.15*35.04*78.15
Package size (W*D*H) mm/inch	773*947*2154/30.43*37.28*84.8
NW/GW (kgs)	142/185
Performance	
Temperature range	2~-8°C
Ambient temperature	16-32°C
Cooling performance	-86°C
Climate class	N
Controller	Microprocessor
Display	7" HD Intelligent Touch Screen
Refrigeration	
Compressor	1pc
Cooling method	Air cooling
Defrost mode	Manual
Refrigerants	R290
Insulation thickness(mm)	L/R: , B: 55
Construction	
External material	PCM
Inner material	Stainless steel/Sprayed aluminum plate (optional)
Shelves	5(stainless steel)
Access test port	1pc. Ø 25 mm
Casters	4+(2 brakes)
Data logging/ Interval /Recording time	USB/Record every 5 minutes / 10 years
Interface	Remote alarm contact, RS485
Backup battery	Yes
Alarms	
Temperature	High/Low temperature, High ambient temperature
Electrical	Power failure, Low battery, Battery power detection failure
System	Sensor failure, Main board communication error, Condenser overheating alarm, Door ajar

Options

Optional features: Chart recorder