

- Ⓒ **GB** *Instruction manual*
- Ⓒ **FR** *Manuel d'utilisation*
- Ⓒ **PT** *Manual de instruções*
- Ⓒ **ES** *Manual de instrucciones*
- Ⓒ **IT** *Istruzioni d'uso*
- Ⓒ **DE** *Bedienungsanleitung*



**ABS SERIES**

## Original Instruction

Dear Customer,

Congratulations on your purchase of this product. Like all our products , this product has also been developed on the basis of the latest technology and produced using reliable and modern electrical components.

Please take a few minutes before starting operation of the appliance and read the following operating instructions. Save this manual for further reference.



### Table of contents

Safety Tips .....	3
Intended Use.....	4
Parts.....	5
Location and Installation .....	7
Power Requirements .....	8
Starting Up .....	8
Operation .....	9
Defrosting Procedure .....	11
Changing the Door Hinge.....	11
Cleaning, Care & Maintenance .....	17
Trouble shooting.....	18
Disposal .....	19
Technical data .....	19
Warranty.....	20

## Safety Tips

1. The appliance is intended for commercial use or similar use (etc. to be used by a layman in shops).
2. DO NOT use the appliance outside.
3. DO NOT attempt to service the item yourself.
4. DO NOT use damaged appliances. If you are in any doubt, consult service agent.
5. DO NOT use electrical appliances inside the appliance (e.g. heaters, ice-cream makers etc.), unless they are of the type recommended by the manufacturer.
6. Keep ventilation openings, in the appliance enclosure or in the built-in structure, clear of obstruction.
7. DO NOT use mechanical devices or other means to accelerate the defrosting process, other than those recommended by the manufacturer.
8. DO NOT damage the refrigerant circuit.
9. DO NOT stand or support yourself on the base, drawers or the door.
10. DO NOT allow oil or fat to come into contact with the plastic components or door seal clean immediately if contact occurs.
11. DO NOT place combustible, explosive or volatile articles, corrosive acids or alkalis or liquids in the appliance.
12. DO NOT use this appliance to store medical supplies.
13. DO NOT use jet/pressure washers to clean the appliance.
14. DO NOT allow children to play with the packaging, and destroy plastic bags safely.
15. Bottles that contain a high percentage of alcohol must be sealed and placed vertically in the refrigerator.
16. Always carry, store and handle the appliance in a vertical orientation and move by holding the base of the appliance.
17. Always switch off and disconnect the power supply to the unit before cleaning.
18. If the supply cord is damaged, it must be replaced by the manufacturer, its service agent or similarly qualified persons in order to avoid a hazard.
19. This appliance is not intended for use by persons (including children) with reduced physical, sensory or mental capabilities, or lack of experience and knowledge, unless they have been given supervision or instruction concerning use of the appliance by a person responsible for their safety (IEC603365-1).
20. Children should be supervised to ensure that they do not play with the appliance. (IEC 60335-1)
21. For indoor use only not suitable for installation in an area where a water jet could be used must not be cleaned by a water jet.
22. To guarantee safe operation, ensure that the appliance is set up and connected as described in the instruction manual.
23. Any repairs and work on the appliance should only be carried out by the customer service department.
24. Maximum loading of each shelf is 30 kg.

## Safety Tips

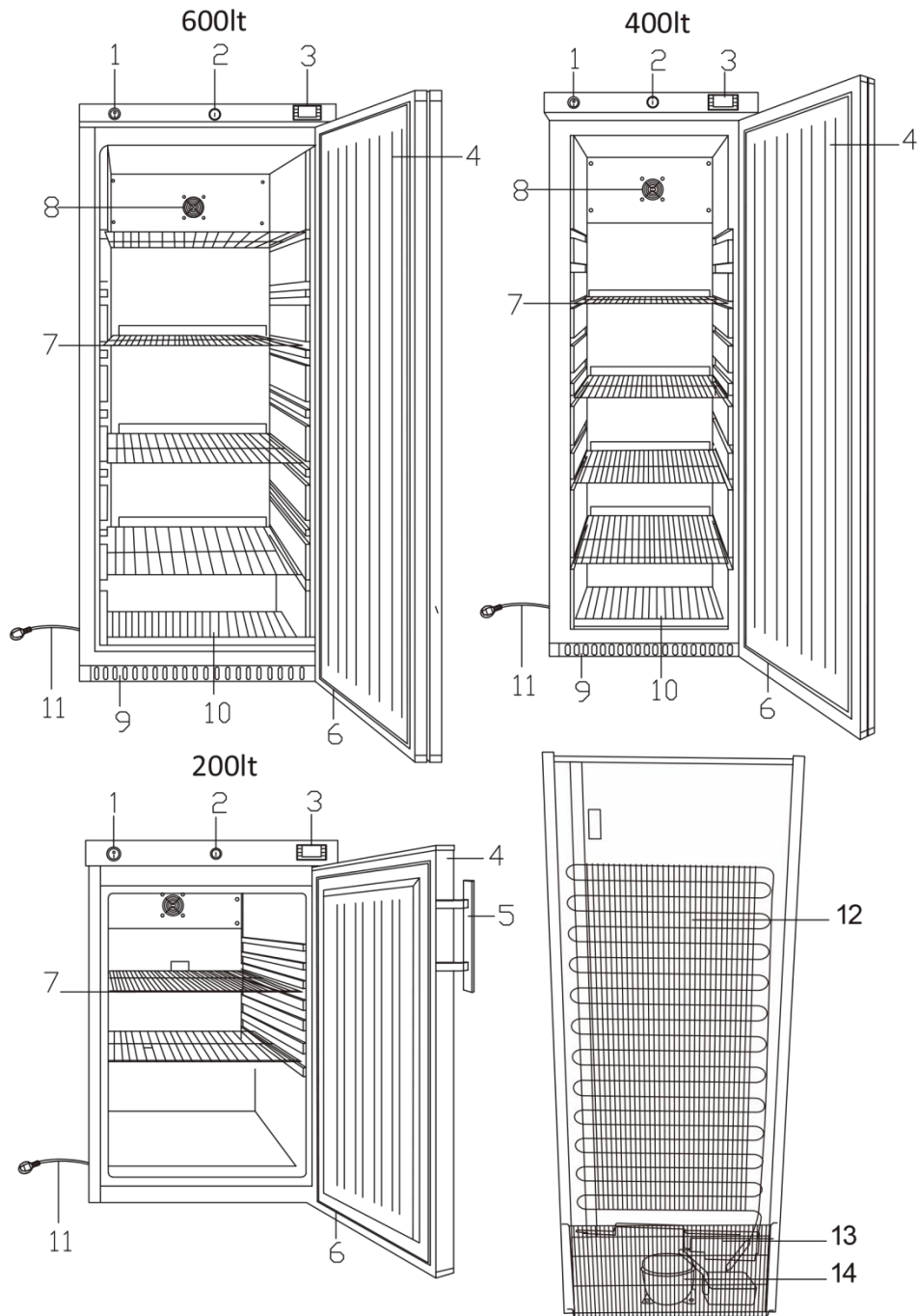
25. The key to the fridge/freezer should be kept out of the reach of children and users.

## Intended Use

Only use this appliance for cooling and storage of food and beverage for commercial purposes.

# Parts

## Refrigerator

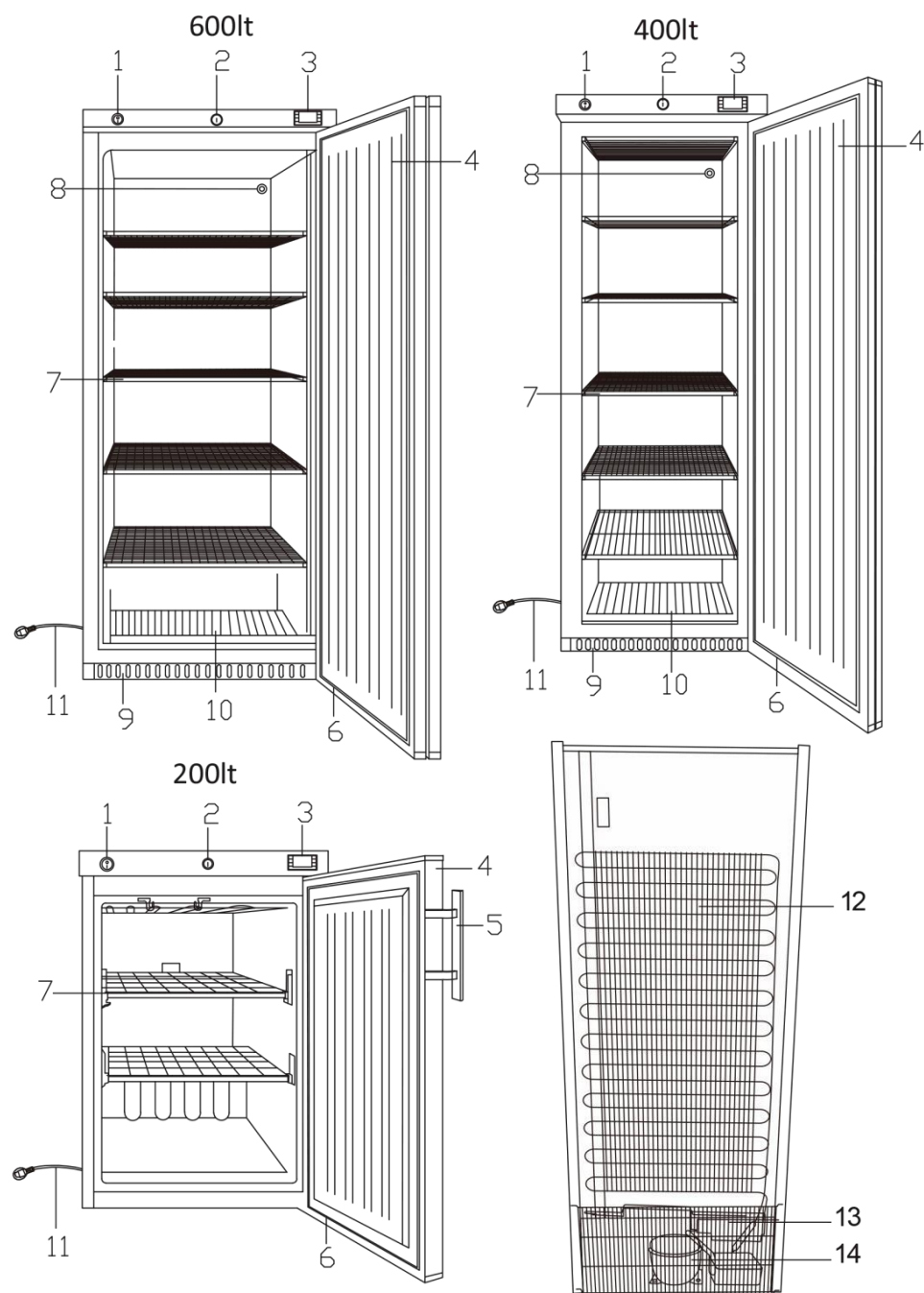


- 1. On/Off Switch (optional)
- 2. Lock
- 3. Controller
- 4. Door
- 5. Handle
- 6. Gasket
- 7. Shelf

- 8. Fan
- 9. Down panel
- 10. Bottom Shelf
- 11. Power plug
- 12. Condenser
- 13. Condenser fan
- 14. Compressor

# Parts

## Freezer



- |                             |                   |
|-----------------------------|-------------------|
| 1. On/Off Switch (optional) | 8. Pressure valve |
| 2. Lock                     | 9. Down panel     |
| 3. Controller               | 10. Bottom Shelf  |
| 4. Door                     | 11. Power plug    |
| 5. Handle                   | 12. Condenser     |
| 6. Gasket                   | 13. Condenser fan |
| 7. Shelf                    | 14. Compressor    |

## Location and Installation



The cabinet should be placed in a room that is dry and sufficiently ventilated. To operate efficiently it should not be positioned in direct sunlight or near warm appliances. Please note that optimal cabinet performance is obtained at an ambient temperature between +16 °C and +35 °C.

Freezer, Refrigerator: By placing the cabinet in an environment with high air humidity, it may be necessary to acquire extra equipment for evaporation of the drip water in the pan near the compressor.

The cabinet can be installed freestanding against a wall.

### Important

The cabinet must have sufficient ventilation and free air circulation beneath, above and behind the cabinet. The legs under the cabinet will help ensure sufficient air space.

- Remove the appliance from the packaging. Make sure that all protective plastic film and coatings are thoroughly removed from all surfaces. To prevent injury or damage to the unit, we recommend that the appliance should be unpacked and set up by two people.
- The appliance should be placed on a solid level floor to reduce noise and vibration. Level the appliance by adjusting the screw feet.
- Check that the power supply and voltage used comply with the details on the rating plate. The plug must be accessible after installation
- Correctly connect and disconnect the plug. When inserting ensure the plug is fully engaged. When unplugging do so by holding the body of the plug. Never pull the supply cord directly.
- If the appliance is to be shut down for long period, switch it off and disconnect the plug from socket outlet. Clean the appliance and leave the door open to prevent odour.
- Important! For your personal safety, this appliance must be properly grounded (earthed). This appliance is equipped with a cord having a grounding wire with a grounding plug. The plug must be inserted into an outlet that is properly grounded and installed. Consult a qualified electrician or service center if you do not completely understand the grounding instructions. If doubt exists whether the appliance is properly grounded, have a qualified electrician check the circuit to make sure the outlet is properly grounded.
- If the cable does not reach the nearest socket, either rearrange your store layout or ask a qualified electrician to fix a new socket.
- If power is cut off, wait for at least 3 minutes before restarting the appliance to avoid damaging the compressor.

**Note:** If the unit has not been stored or moved in an upright position, let it stand upright for approximately 12 hours before operation.

**Note:** Before using the appliance for the first time, clean the shelves and interior with soapy water.

## Power Requirements



The cabinet is intended for connection to an alternating current. The connection voltage (V) and frequency (Hz) are shown on the nameplate in the cabinet. The power connection is made using a three-pin plug to a wall socket. Any requirement for earthing from the local power supply must be met. The cabinet plug and wall socket should then give a correct earthing. If you are in doubt, contact your local supplier or authorized electrician.

**Warning** - This appliance must be earthed

The flexible cord fitted to this appliance has three cores for use with a 3-pin 13 Amp plug. If a B.B. 1363 (13 Amp) fused plug is used, it should be fitted with a 13 Amp fuse or a moulded right-angled Schuko plug. Note the plate with a hole in it between and above the two pins - this connects to French and Belgian sockets, which have an earth pin that sticks out. Running in a slot coming from that plate is a continuation strip from the plate. Other European countries use a socket with a scrolled metal connector emerging from the side which mates with that strip. This ensures that the Schuko can be used in most mainland European countries.

### Important

The wires in this mains lead are coloured in accordance with the following code:

Green-and-yellow: earth

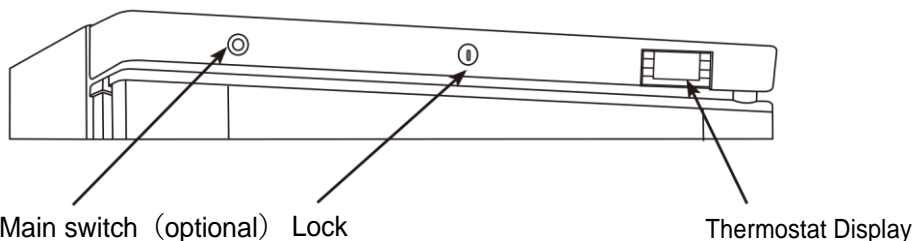
Blue: neutral

Brown: live

The colours of the wires in the mains lead of this appliance might not correspond with the coloured markings identifying the terminals in your plug. Proceed as follows:

The wire which is coloured green-and-yellow must be connected to the terminal in the plug which is marked "E", marked by the earth symbol or coloured green-and-yellow. The wire, which is coloured blue, must be connected to the terminal, which is marked with the letter "N", or coloured black. The wire which is coloured brown must be connected to the terminal which is marked with the letter "L" or coloured red.

## Starting Up



Plug in the cabinet.

The display shows the actual cabinet temperature



**Servicing**

Make sure the appliance is switched off at the mains before service is performed on electrical parts.



# Operation

## Storing food

To get the best results from your appliance, follow these instructions:

- Only store foodstuffs in the appliance when it has reached the correct operating temperature.
- Ensure GN container bays are full at all times, even if the GN containers are unused or empty. Empty bays will greatly reduce efficiency of the appliance.
- Always close the door lid or drawer when not in use.
- Do not place uncovered hot food or liquid inside the appliance.
- Wrap or cover food where possible.
- Do not obstruct the fans inside the appliance.
- Avoid opening the doors/drawers for prolonged periods of time.
- The maximum load for a shelf/drawer is 30 kg.
- The food must be put into container before placed into cabinet or on the shelf. Food must not be placed into food cabinet directly.
- When wet food/vegetable is put in the Saladette, it's normal that ice (snow) appears on the surface.

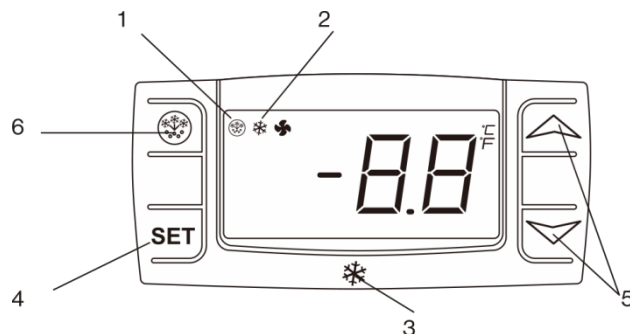
## Turn on

- Close the door/lid/drawer of the appliance.
- Ensure the power switch is set to [ O ] and turn on at the socket.
- Switch on the Power [ I ]. The current temperature within the appliance is displayed.
- The ❄️ on the control panel will flash for 3-min to indicate a delay between the motor compressor being stopped and then restarted.

## Temperature setting and control(DIXELL)

### The front panel of the thermostat

1. Defrosting light
2. Compressor operation light
3. Digital thermostat
4. Programming key (Service agent only)
5. Temperature modification keys
6. Manual defrost



### How to see the setpoint

- Push and immediately release the **SET** key, the set point will be showed;
- Push and immediately release the **SET** key again or wait about 5s to return to • normal visualisation.

### How to change the set point

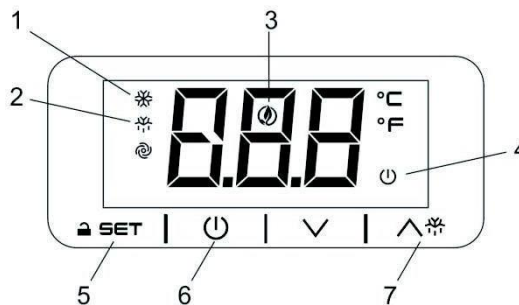
- Push the **SET** key for more than 2 seconds to change the set point value;
- The value of the set point will be displayed and the “°C“ starts blinking;
- To change the set value push the „^“ (up) or „v“ (down) arrows within 10s.
- To memorise the new set point value push the **SET** key again or wait 10s.

# Operation

## Temperature setting and control (EVCO)

The front panel of the thermostat

1. Compressor operation light
2. Defrosting light
3. Energy saving light
4. Stand-by light
5. Programming key (service agent only)
6. Machine On/Stand-by (keep pushed)
7. Manual defrost (keep pushed)



### How to unlock the keyboard («Loc» message)

- Push any button for more than 2s, «UnL» message will appear and the keyboard will be unlocked.

**Note: For safety reasons the keyboard locks automatically after 30s of keys inactivity.**

To execute any operation, please unlock the keyboard first.

### How to see and modify the set point

- Push and immediately release the **SET** key, the set point will be showed and starts blinking;
- To change the set value push or arrows within 20s.
- To memorize the new set point value push the **SET** key again or wait 20s.

### Automatic defrost

- The appliance will automatically run defrost cycles.

Note: the cycle starts from the time the appliance is initially powered up.

### To manually defrost the appliance:

- Press and hold the DEFROST button for 3s;
- The defrost cycle will start immediately and the Defrost LED illuminates.

**Note: Starting a manual defrost also resets the automatic defrost timer. The next automatic defrost will start according to the set parameter after the manual defrost has finished.**

### How to turn the machine in ON / STAND -BY status

- Press and hold the key for 4s, the machine will turn from ON to STAND -BY status and vice-versa.
- During the button hold the LED will blink to show status changing.

## Defrosting Procedure

### Refrigerator:

Automatic Defrosting using automatic water evaporation.

Automatic defrost The appliance will automatically run defrost cycles

Note: The cycle starts from the time the appliance is initially powered up.

To manually defrost the appliance:

- Press and hold the DEFROST  button for 5 seconds.
- The defrost cycle will start immediately and the Defrost LED illuminates.

Note: Starting a manual defrost also resets the automatic defrost timer. The next automatic defrost will start according to the set parameter after the manual defrost has finished.

### Freezer:

Manual defrosting by switching off and disconnecting the plug from the mains socket. Please empty the freezer first and wait until all the ice inside has been melted. The condensation water must be collected.

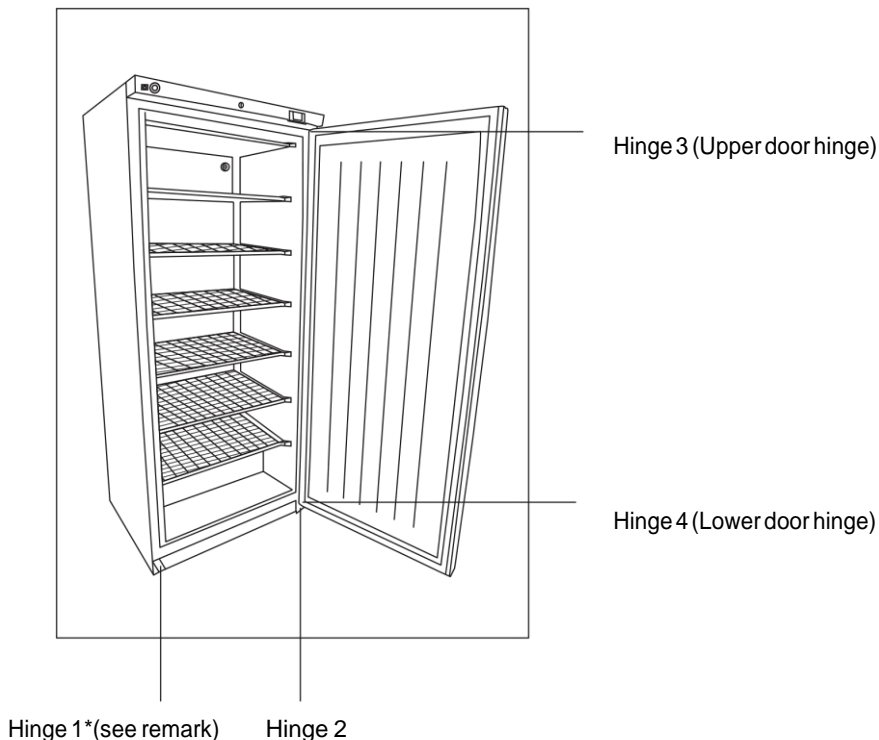


Never use a sharp or pointed object that may damage the freezer / refrigerator.

## Changing the Door Hinge

The door can be changed from right hand-hinged to left hand-hinged, or vice versa. To do so, proceed as follows:

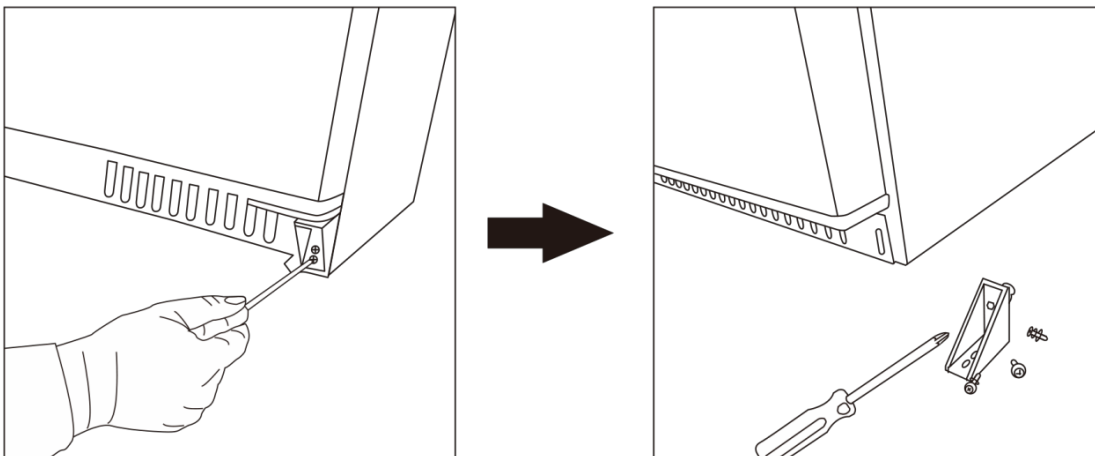
1. Switch off power and disconnect from the main socket



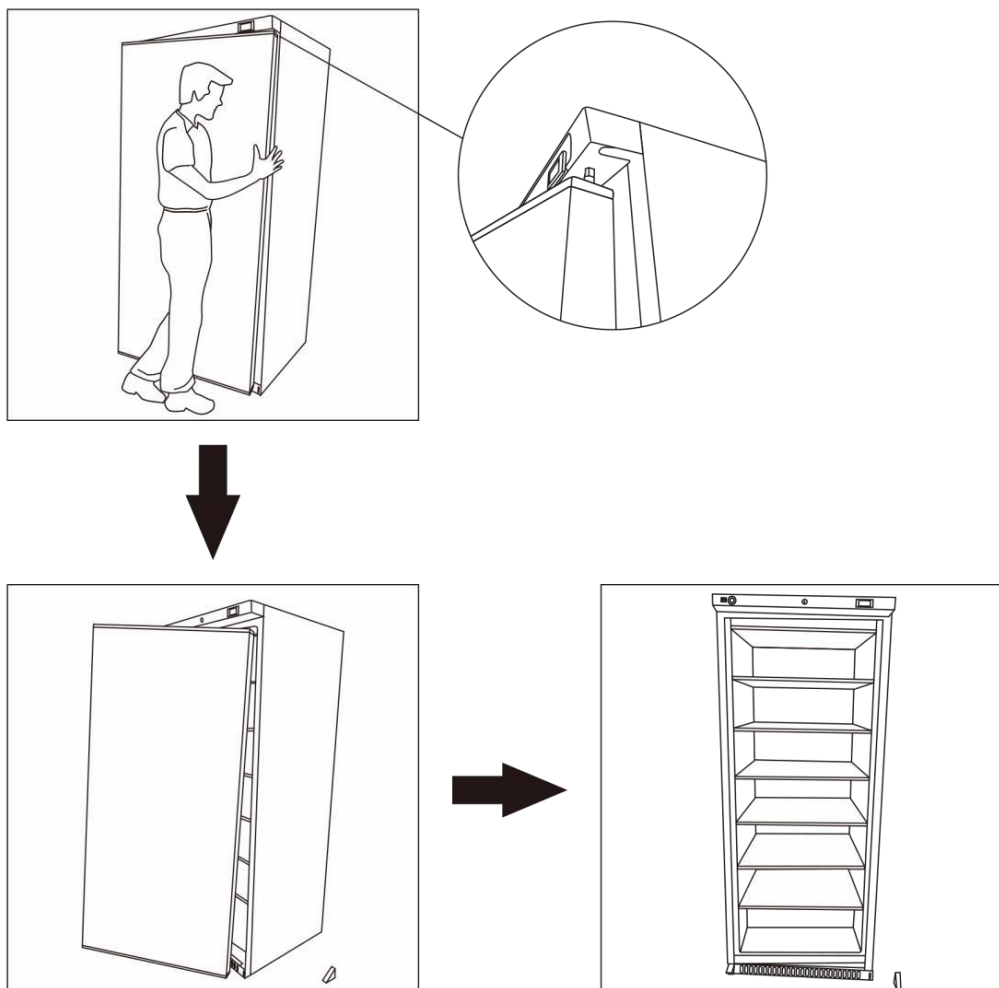
## Changing the Door Hinge

Remark: It has a small roller that helps slide the door when closing and function as a door support.

### 2. Remove hinge2

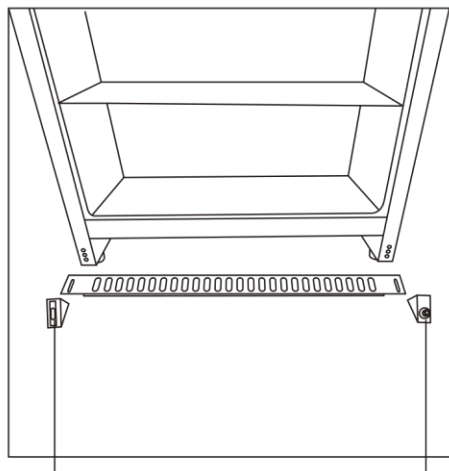
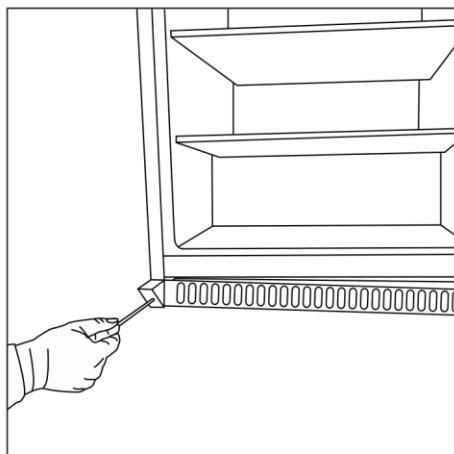


### 3. Take off the door



# Changing the Door Hinge

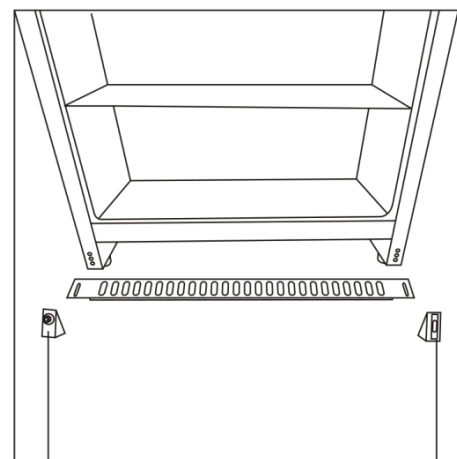
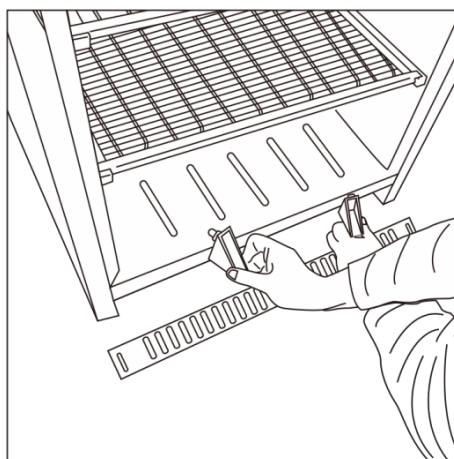
## 4. Remove hinge 1



Hinge 1

Hinge 2

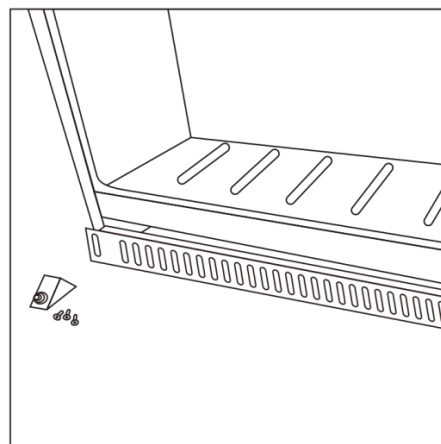
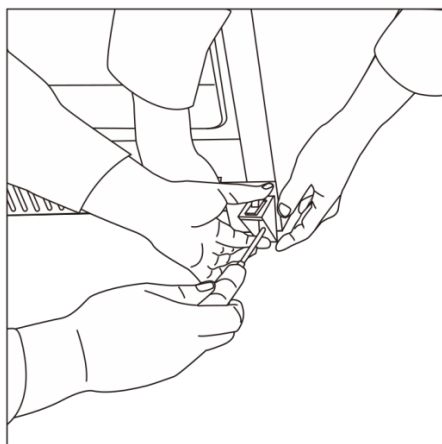
## 5. Change the two hinge positions



Hinge 2

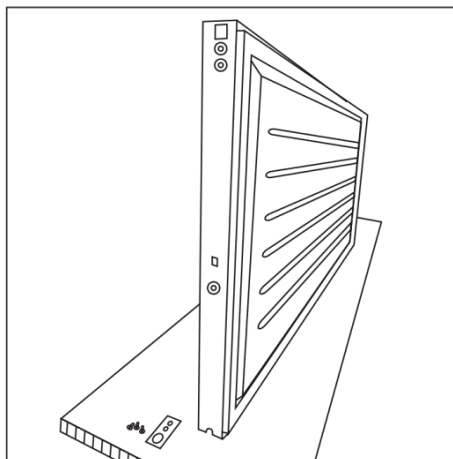
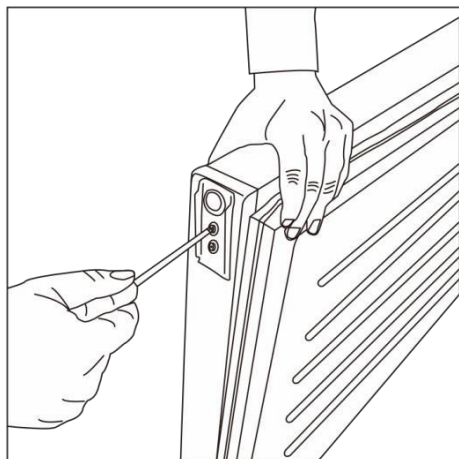
Hinge 1

## 6. Fix hinge 1

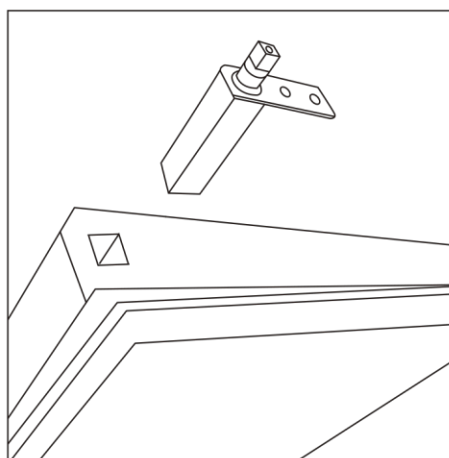
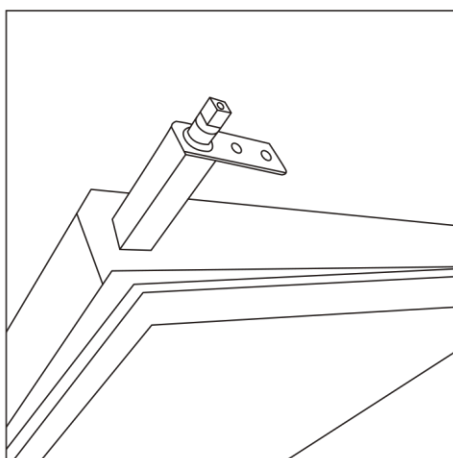
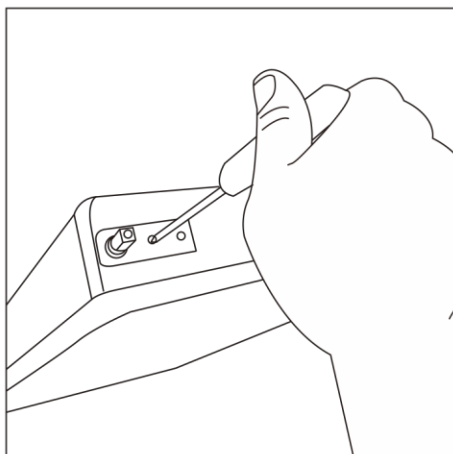


# Changing the Door Hinge

7. Remove Hinge 4 (Lower door hinge)

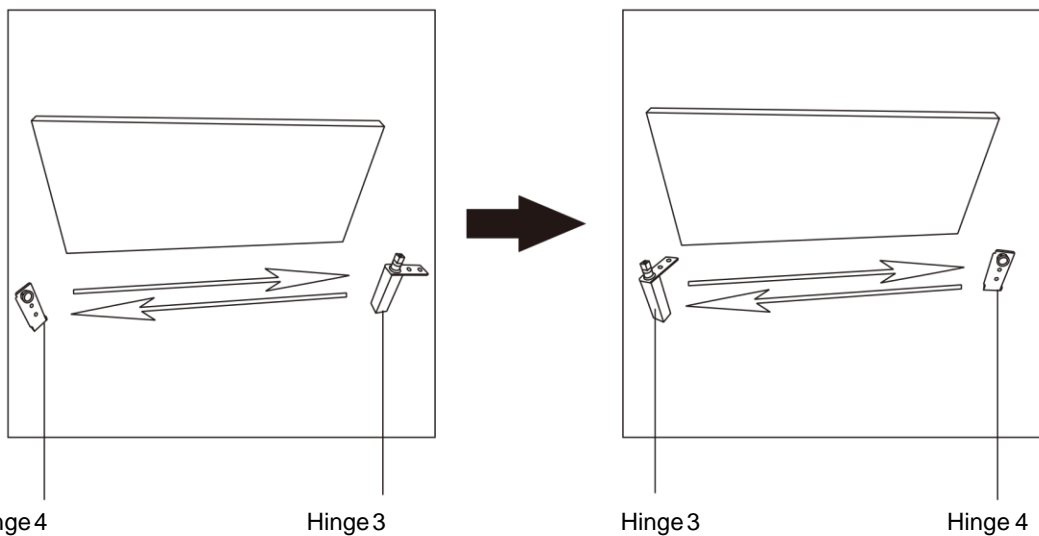


8. Remove Hinge 3 (Upper door hinge)

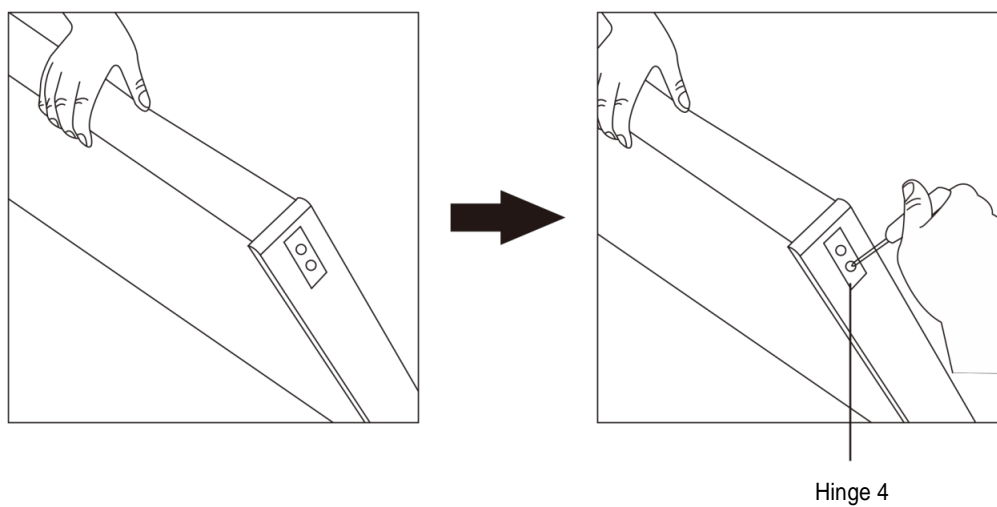
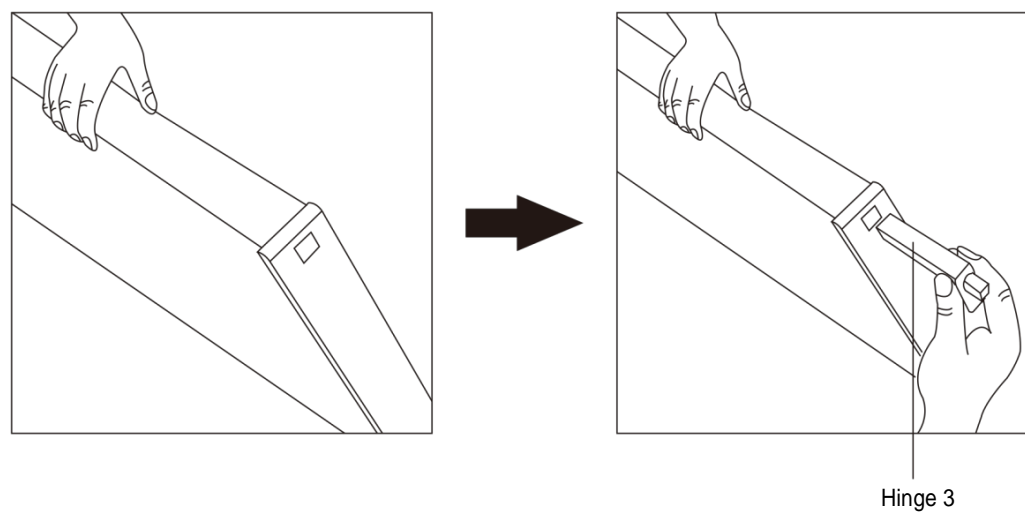


# Changing the Door Hinge

9. Exchange the position of Hinge 3 and Hinge 4

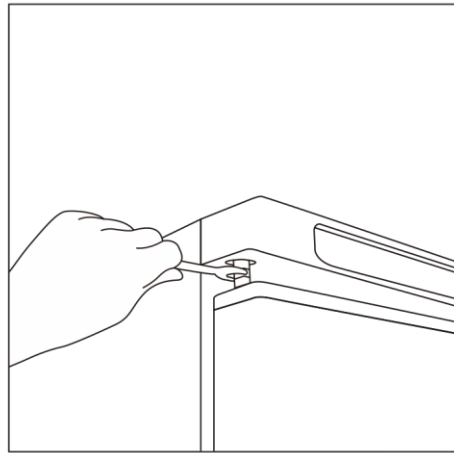
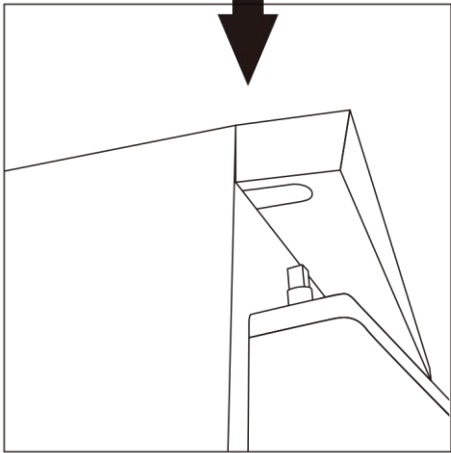
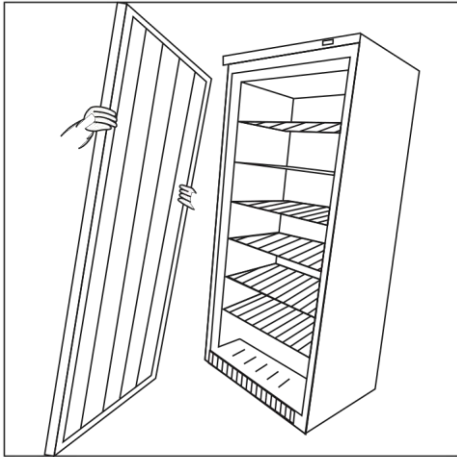


10. Fix Hinge 3 and Hinge 4 on the door

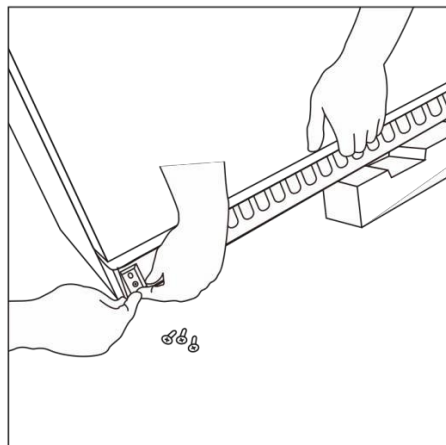
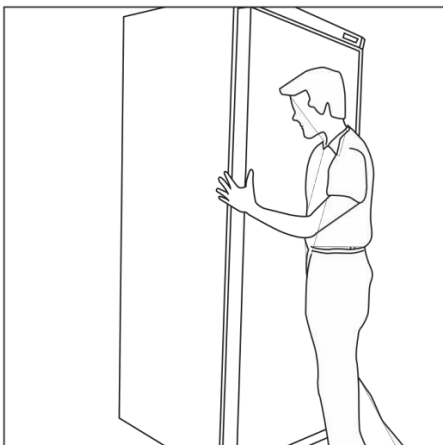


## Changing the Door Hinge

11. Turn the door up side down and connect to the upper hinge.



12. Fix Hinge2





# Cleaning, Care & Maintenance



Before cleaning, switch off the cabinet and disconnect from the mains.

The cabinet should be kept clean using a mild soap solution. Do not use abrasive cleansers. The plastic parts cannot withstand boiling water (max. temperature +85 °C).

When regular cleaning is performed, be sure to wipe clean the rubber door gasket to ensure any sticky substances are removed that would otherwise damage the gasket.

The condenser fan air outlet above the compressor must be free of leaves, paper etc. to ensure normal operation of the cabinet.

The condenser on the back of the cabinet must be regularly cleaned as well. This is best done with a vacuum cleaner and a brush

## Routine maintenance

Switch off and disconnect from the power supply before cleaning.

- Clean the enclosure and interior of the appliance as often as possible.
- Clean the unit with moist cloth. Never allow the switch, control panel, cable or plug to get wet.
- Do not use abrasive cleaning agents. These can leave harmful residues. Use only mild soapy water.
- Clean the door seal with water only.
- Ensure that no cleaning water penetrates into the electrical components.
- Must not be cleaned by a water jet.
- Always wipe dry after cleaning with soft cloth.
- Take care when cleaning the rear of the appliance.
- An agent or qualified technician must carry out repairs if required.
- If the appliance is to be left inactive for long periods, unplug the appliance after having turned the switch to OFF position, empty the refrigerating compartment and clean thoroughly. Please leave the door open to avoid the development of odor and mildew.

## Special maintenance

The instructions given in the following paragraph are for SKILLED PERSON.

### Periodic Operations

- Periodically clean the condenser using suitable tools (vacuum cleaner or soft brushes).
- Check that the electrical connections are not loose.
- Check that the thermostat and the sensor are in proper working order.
- Periodically cleaning the condenser can extend the life of the appliance.
- Recommend that an agent or qualified technician clean the condenser.
- The key to the electrical cabinet should be kept out of the reach of children and users.
- Only use the key to open the lock.

## Trouble shooting

If your Refrigerator, Freezer appliance develop a fault, please check the following table.

Fault	Probable Cause	Action
The appliance is not working	The unit is not switched on	Check that the unit is plugged in correctly and switched on
	Plug and/or lead are damaged	Call our agent or qualified technician
	Power supply	Check power supply
	Internal wiring fault	Call our agent or qualified technician
The appliance turns on, but the temperature is too high/low	Too much ice on the evaporator	Defrost the appliance
	Condenser blocked with dust	Clean the condenser thoroughly
	The door is not shut properly	Check that the door is shut and seals are not damaged
	Appliance is located near a heat source, or air flow to the condenser is blocked	Move the refrigerator to a more suitable location
	Ambient temperature is too high	Increase ventilation or move appliance to a cooler position
	Unsuitable foodstuffs are being stored in the appliance	Remove any excessive hot foodstuffs or blockages to the fan
	Appliance is overloaded	Reduce the amount of food stored in the appliance
The appliance is leaking water (Refrigerator)	The appliance is not properly levelled	Adjust the screw feet to level the appliance
	The discharge outlet is blocked	Clear the discharge outlet
	The water container is damaged	Call our agent or qualified technician
The appliance is unusually loud	Loose nut/ screw	Check and tighten all nuts and screws
	The appliance has not been installed in a level or stable position	Check installation position and change if necessary

# Disposal

If the cabinet is no longer of use and you wish to dispose of it, please do so in an environmentally correct way. There may be special requirements or conditions. You can obtain information on the disposal of refrigeration appliances from:

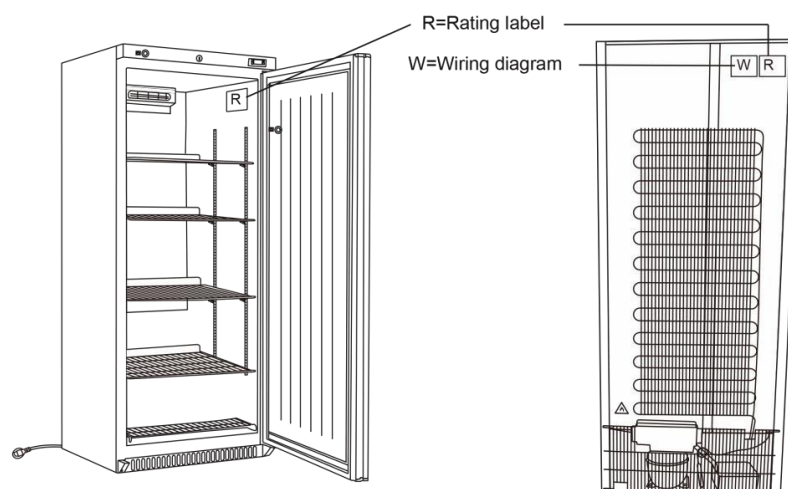
- Your supplier
- Government authorities (The local council, Ministry of the Environment, etc.)

# Technical data

Model	Refrigerator			Freezer		
	200lt	400lt	600lt	200lt	400lt	600lt
Climate Class	3	3	3	3	3	3
Refrigerant Gas	Please refer to the information indicated on the product. You will find the information on the rating label on the back of the unit as well as inside the cooling compartment.  The circuit diagram is displayed on the back of the unit as well as inside the cooling compartment					
Refrigerant Charge						
Temperature Range (°C)						
Input Power						
Rated Frequency						
Rated Voltage						
Internal volume						
Net Weight						
Gross Weight						
External Dimension (mm)						
Foaming Agent	CP			CP		

FOR TECHNICAL DETAILS AND ELECTRICAL DIAGRAM SEE LABEL ON THE BACK OF THE PRODUCT.

POUR LES DÉTAILS  
TECHNIQUES ET SCHÉMA  
ÉLECTRIQUE VOIR  
ÉTIQUETTE SUR LE DOS  
DU PRODUIT.



Environmental Protection Discarded electric appliances are recyclable and should not be discarded in the domestic waste! Please actively support us in conserving resources and protecting the environment by returning this appliance to the collection centres (if available).

## Technical data



CAUTION: RISK OF FIRE AND EXPLOSION WITH FLAMMABLE REFRIGERANT  
R600a.



## Warranty

A statutory warranty applies for this product.

Damages caused by wrong treatment or operation, by false placement or storage, improper connection or installation, as well as force or other external influences are not covered by this warranty. We recommend careful reading of the operating instructions as it contains important information.

Note:

1. In case this product does not function correctly, please firstly check if there are other reasons, e.g. for electrical appliances interruption of the power supply, or generally incorrect handling are the cause.
2. Please note that, where possible, the following documents or rather information should be provided together with your faulty product:
  - Purchase receipt
  - Model description/Type/Brand
  - Describe the fault and problem as detailed as possible

In the case of a claim for guarantee or defects, please contact the seller.

GWL 8/14 EN

## Traduction du mode d'emploi d'origine

Chère cliente,

Cher client,

Toutes nos félicitations pour l'achat de ce produit . Comme tous les produits , celui-ci a été fabriqué selon les connaissances techniques les plus récentes et avec des éléments électriques et électroniques modernes et sûrs.

Avant d'utiliser cet appareil, prenez le temps de lire ce mode d'emploi.



### Table des matières

Cons e i ls de sécurité .....	22
Usage Prévu .....	23
Description de s pieces .....	24
Emplacement et Installation .....	26
Alimentation électrique .....	27
Démarrage FR .....	27
Utilisation .....	28
Procédur e de dégivrage .....	30
Changemen t d e la charniè re de la porte .....	31
Entretien et nettoyage .....	37
Guide de dépannage .....	38
Mise au rebut .....	39
Données techniques .....	39
Garantie .....	40

## Cons eils de securityé

1. Cet appareil est destiné à un usage commercial, ou autres de meme type (par ex. Par des non-spécialistes dans les magasins).
2. N'utilisez PAS l'appareil à l'extérieur.
3. NE tentez PAS de réparer l'appareil vous-même.
4. N'utilisez PAS l'appareil s'il est endommagé. Si vous avez un doute sur l'état de l'appareil, consultez un technicien.
5. N'utilisez AUCUN appareil électrique à l'intérieur du réfrigérateur (comme un radiateur, une sorbetière etc.) sauf indication contraire du fabricant.
6. Gardez toutes les ouvertures d'aération, dans le conditionnement de l'appareil ou dans la structure intégrée, sans obstructions.
7. N'utilisez AUCUN mécanisme mécanique ou tout autre moyen pour accélérer le processus de dégivrage , hormis ceux qui sont recommandés par le fabricant.
8. N'endommagez PAS le circuit réfrigérant.
9. Ne vous placez PAS sur l'appareil, les étagères ou la porte de l'appareil, et ne vous y accrochez PAS.
10. NE laissez PAS d'huile ou de la graisse entrer en contact avec les composants en plastique ou le joint de porte. Nettoyez immédiatement si un contact se produit.
11. NE placez PAS d'articles inflammables, explosifs ou volatils, d'acides, d'alcalins ou des liquides corrosifs dans l'appareil.
12. N'utilisez PAS cet appareil pour stocker des fournitures médicales.
13. N'utilisez PAS de jet / pression pour nettoyer l'appareil.
14. Les enfants ne doivent pas jouer avec les matériaux d'emballage. Jetez les sacs en plastique selon la réglementation en vigueur.
15. Les bouteilles qui contiennent un pourcentage élevé d'alcool doivent être scellées et placées verticalement dans le réfrigérateur.
16. Transportez, installez et manipulez toujours l'appareil en position verticale et déplacez-le en tenant la base de l'appareil.
17. Mettez toujours l'appareil hors tension, puis débranchez-le de la prise d'alimentation avant de le nettoyer.
18. Si le câble de raccordement de cet appareil est endommagé, il doit être remplacé par le fabricant ou son représentant, ou par un électricien qualifié, pour éviter d'attenter à la sécurité.
19. Cet appareil n'est pas prévu pour être utilisé par des personnes (y compris des enfants) dont les capacités physiques, sensorielles ou mentales sont réduites, ou des personnes dénuées d'expérience ou de connaissance, sauf si elles ont pu bénéficier, par l'intermédiaire d'une personnes responsable de leur sécurité, d'une surveillance ou d'instructions préalables concernant l'utilisation de l'appareil.
20. Il convient de surveiller les enfants pour s'assurer qu'ils ne jouent pas avec l'appareil.

## Cons eils de securityé

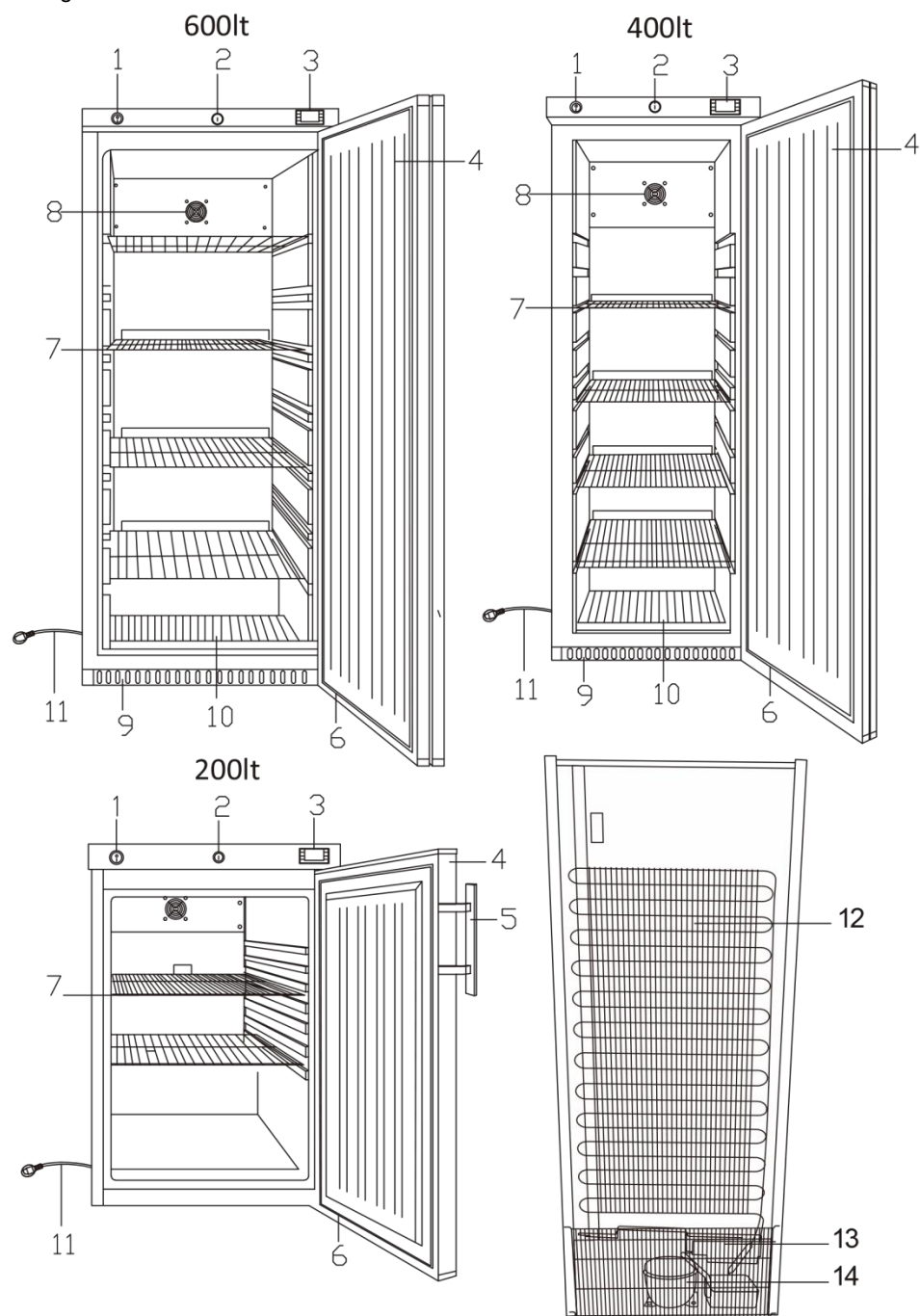
21. L'appareil est conçu pour être utilisé uniquement à l'intérieur. Ne pas le placer à proximité d'un jet d'eau et ne le nettoyer en aucun cas avec un nettoyeur à haute pression.
22. Pour garantir un fonctionnement sûr, assurez-vous que l'appareil est installé et connecté comme décrit dans le manuel d'instructions.
23. Toute réparation ou entretien doit être uniquement effectué par le service après-vente.
24. Chargement maximum sur chaque étagère : 25 kg.
25. L'accès au réfrigérateur/congélateur doit être fermé, et la clé tenue hors de portée des enfants.

## Usage Prévu

Cet appareil ne doit être utilisé que pour le refroidissement et l'entreposage des aliments et des boissons à des fins commerciales.

# Description de s pieces

Réfrigérateur

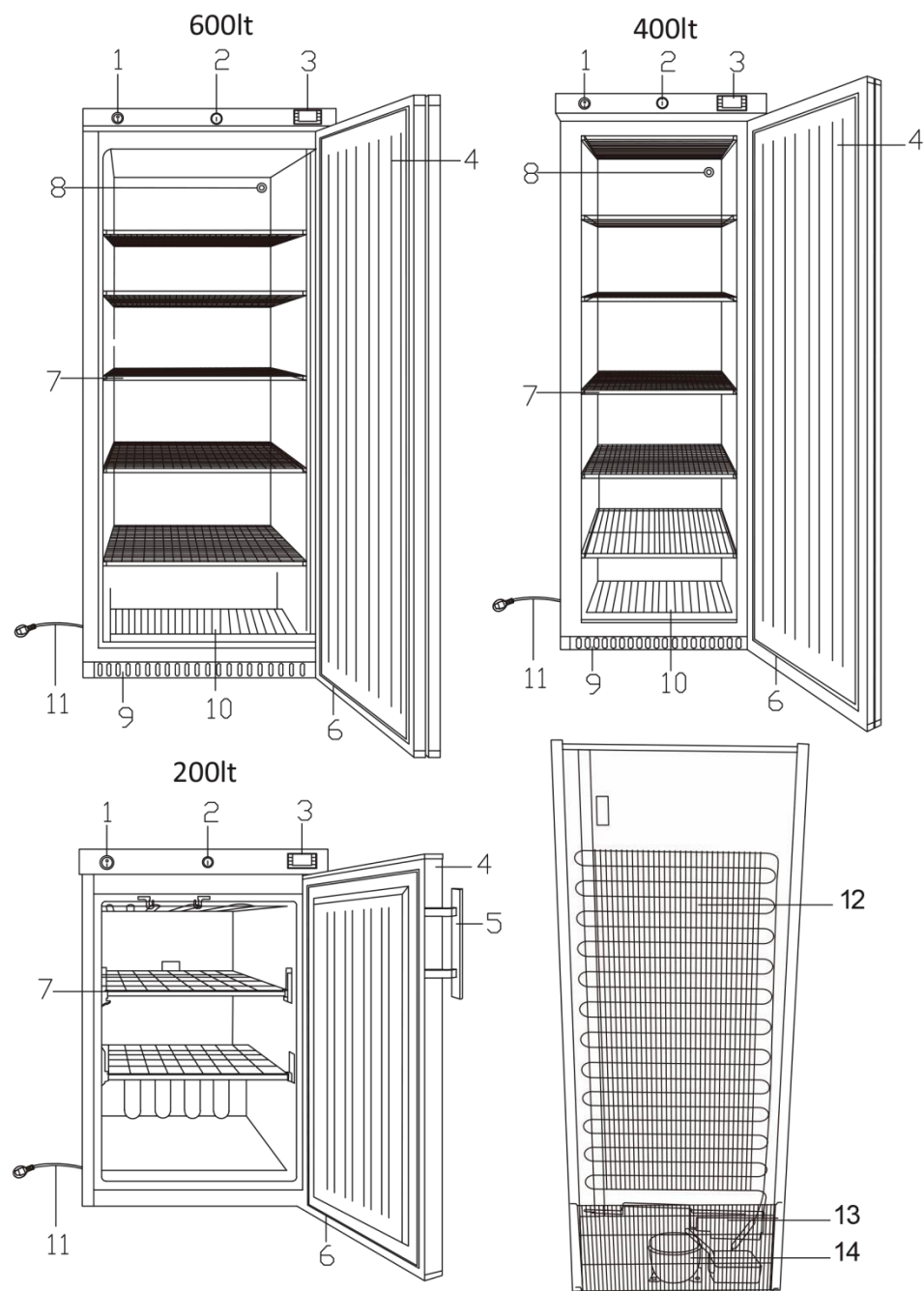


- |                                  |                            |
|----------------------------------|----------------------------|
| 1. Commutateur On/Off(optionnel) | 8.Ventilateur              |
| 2.Verrouillage                   | 9.Panneau inférieur        |
| 3.Manette                        | 10.Étagère inférieure      |
| 4.Porte                          | 11. Fiche d'alimentation   |
| 5.Poignée                        | 12.Condenseur              |
| 6.Joint d'étanchéité             | 13.Ventilateur du condensé |
| 7.Étagère                        | 14.Compresseur             |



# Description de s pieces

Congélateur



- |                                  |                               |
|----------------------------------|-------------------------------|
| 1. Commutateur On/Off(optionnel) | 8. Valve de pression          |
| 2. Verrouillage                  | 9. Panneau inférieur          |
| 3. Manette                       | 10. Étagère inférieure        |
| 4. Porte                         | 11. Fiche d'alimentation      |
| 5. Poignée                       | 12. Condenseur                |
| 6. Joint d'étanchéité            | 13. Ventilateur du condenseur |
| 7. Étagère                       | 14. Compresseur               |

# Emplacement et Installation



L'appareil doit être placé dans une pièce qui est sèche et suffisamment aérée. Pour fonctionner efficacement, il ne doit pas être placé directement au soleil ou près d'appareils produisant de la chaleur. Veuillez noter que les performances optimales de cet appareil sont obtenues à une température ambiante entre +16 °C et +35 °C.

Congélateur, Réfrigérateur: En plaçant cet appareil dans un environnement dont l'humidité de l'air est élevée, il peut être nécessaire d'acquérir un équipement supplémentaire pour l'évaporation de l'eau dans le récipient près du compresseur.

Cet appareil peut être installé sur ses pieds contre un mur.

## Important

Cet appareil doit avoir une ventilation suffisante et la circulation d'air doit se faire librement au-dessous, au-dessus et derrière l'appareil. Les pieds et les cales d'espacement situées à l'arrière de l'appareil aideront à assurer un espace suffisant pour la circulation de l'air.

- Enlevez l'appareil de son carton d'emballage. Assurez-vous que tous les films de protection en plastique et les revêtements sont soigneusement retirés de toutes les surfaces. Pour éviter toute blessure ou dommage sur l'unité, nous recommandons que l'appareil soit déballé et installé par deux personnes.
- L'appareil doit être placé sur un plancher solide au niveau du sol, pour réduire le bruit et les vibrations. Nivelez la hauteur des pieds en ajustant les vis des pieds.
- L'alimentation électrique et l'alimentation haute tension doivent correspondre aux indications figurant sur la plaque signalétique de l'appareil. La fiche de secteur doit être librement accessible après l'installation.
- Enfoncez et retirez la fiche de secteur conformément aux normes. La fiche doit être solidement enfoncée dans la prise. Pour la retirer, tenez d'une main la prise et retirez la fiche avec l'autre main. Ne retirez jamais la fiche par le câble.
- Si l'appareil n'est pas utilisé pendant un laps de temps important, débranchez-le et retirez la fiche de secteur. Nettoyez l'appareil et laissez la porte ouverte pour prévenir les odeurs.
- Important! Pour votre sécurité personnelle, cet appareil doit être correctement connecté à la terre. Cet appareil est équipé d'un câble d'alimentation pourvu d'un fil de terre et d'une prise avec mise à la terre. La prise doit être insérée dans une prise de courant correctement installée et connectée à la terre. Consultez un électricien qualifié ou le service après-vente si vous ne comprenez pas complètement les instructions de branchement à la terre. Si un doute persiste quant à savoir si l'appareil est
- correctement connecté à la terre, faites vérifier le circuit par un électricien qualifié pour assurer que la prise est correctement branchée à la terre.
- Si le câble n'atteint pas la prise la plus proche, réorganisez l'agencement de votre magasin ou demandez à un électricien qualifié d'installer une nouvelle prise de courant.
- Si l'alimentation est coupée, attendez au moins 3 minutes avant de redémarrer l'appareil pour éviter d'endommager le compresseur. Remarque: Si l'unité n'a pas été installée ou déplacée en position verticale, laissez-la se tenir verticalement pendant 12 heures environ avant de la mettre en marche. Remarque: Avant d'utiliser cet appareil pour la première fois, lavez les étagères et l'intérieur de l'appareil avec de l'eau savonneuse.

## Alimentation électrique

L'appareil est destiné au raccordement à un courant alternatif. La tension de raccordement (V) et la fréquence (Hz) sont indiquées sur la plaque signalétique de l'appareil. Le raccordement électrique se fait en utilisant une prise à trois broches connectée à une prise murale. Toute exigence de mise à la terre de l'alimentation locale doit être respectée. La prise de l'unité et la prise murale doivent être conformes au raccordement à la terre. Si vous êtes dans le doute, contactez votre fournisseur local ou un électricien agréé.



Avertissement - Cet appareil doit être raccordé à la terre.

Le câble flexible de cet appareil dispose de trois noyaux pour une utilisation avec une prise de 3 broches à 13 ampères. Si une prise à fusible BB 1363 (13 ampères) est utilisée, elle doit être équipée d'un fusible de 13 ampères ou d'une prise Schuko moulée à angle droit. Notez que la plaque avec un trou est située entre et au-dessus des deux broches – elle se connecte aux prises françaises et belges, qui ont une broche de terre saillante. Le branchement dans une fente venant de cette plaque constitue une bande de continuation de la plaque. D'autres pays européens utilisent une prise avec un connecteur en métal émergeant du côté qui se connecte avec cette bande. Cela garantit que le Schuko peut être utilisé dans la plupart des pays européens du continent.

Important

Les fils de ce câble électrique sont colorés selon le code suivant :

Vert et jaune: Terre

Bleu : Neutre

Marron : Sous tension

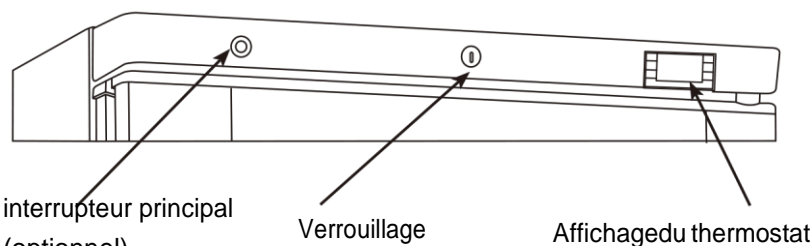
Les couleurs des fils du câble électrique de cet appareil peuvent ne pas correspondre aux marques de couleur identifiant les bornes de votre prise. Procédez de la manière suivante :

Le fil jaune et vert doit être relié à la borne de la prise marquée de la lettre „E“, du symbole de mise à la terre ou colorée en jaune et vert.

Le fil, qui est de couleur bleu, doit être raccordé à la borne marquée de la lettre «N», ou de couleur noire.

Le fil qui est marron doit être connecté à la borne marquée de la lettre « L » ou de couleur rouge.

## Démarrage



Branchez le réfrigérateur.

L'écran d'affichage indiquera la température du réfrigérateur en cours.

Réparation

Assurez-vous que l'appareil est éteint avant d'effectuer toute réparation sur les parties électriques.

# Utilisation

## Entreposage des aliments

Pour obtenir les meilleurs résultats de votre appareil, suivez ces instructions:

- Entrez seulement les produits alimentaires dans l'appareil lorsqu'il a atteint la température de fonctionnement correcte.
- Toujours fermer la porte lorsque l'appareil n'est pas utilisé mais branché.
- Ne placez pas d'aliments ou de liquides chauds ou non couverts à l'intérieur de l'appareil.
- Emballez ou couvrez les aliments si possible.
- N'obstruez pas les ventilateurs à l'intérieur de l'appareil. (Réfrigérateur)
- Evitez de laisser la porte ouverte trop longtemps.
- Le poids maximum sur une étagère est de 25 kg.
- Les aliments doivent être placés dans un récipient avant d'être mis dans un compartiment ou sur une étagère. Les produits alimentaires ne doivent pas être directement placés dans un compartiment.

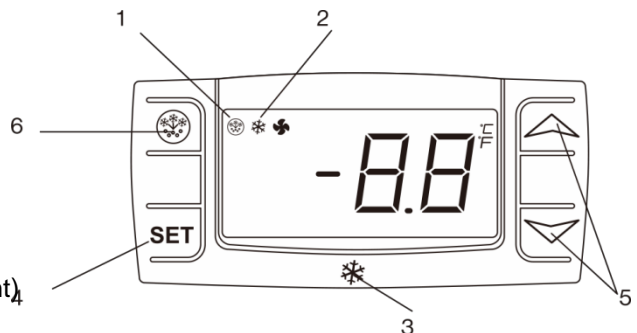
## Mise en marche:

- Fermez la porte de l'appareil.
- Assurez-vous que l'interrupteur d'alimentation est réglé sur \*O+ et que l'alimentation est activée.
- Mettez l'interrupteur en position \*I+. La température en cours à l'intérieur de l'appareil s'affiche.
- Sur l'affichage, le symbole ❄️ clignote trois minutes pour le temps entre l'arrêt du compresseur et un redémarrage.

## Réglage et contrôle de la température

Affichage thermostat et tableau de commande

1. Indicateur lumineux de dégivrage
2. Indicateur lumineux de fonctionnement du compresseur
3. Thermostat numérique
4. Clé de programmation (technicien seulement)
5. Clés de modification de température
6. Dégivrage manuel



## Relever valeur nominale de la température

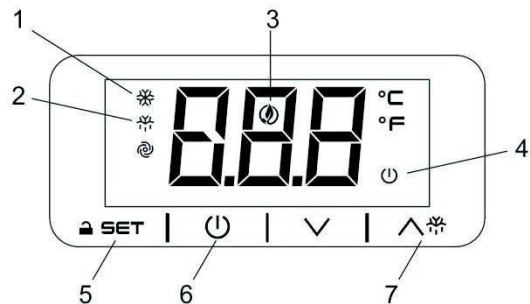
- Appuyez brièvement sur la touche SET. La valeur nominale de la température s'affiche.
- Appuyez une nouvelle fois sur la touche SET ou attendez 5 secondes. Le signal de service normal apparaît à nouveau.
- **Modifier valeur nominale de la température**
- Maintenez la touche SET appuyée pendant plus de deux secondes pour régler une nouvelle valeur nominale.
- La valeur du point de réglage s'affichera et "°C" commencera à clignoter ;
- Pour changer la valeur de réglage, appuyez sur les flèches „ ^ ” (haut) ou sur „ √ ” (bas) moins de 10 secondes.
- Pour mémoriser la nouvelle valeur de réglage, appuyez à nouveau sur la clé de réglage ou attendez 10 secondes.

# Utilisation

## Guide d'utilisation et réglage du point de consigne du thermostat(EVCO)

La façade du thermostat

1. Led fonctionnement Compresseur
2. Led Dégivrage
3. Led Energy saving
4. Led Stand-by
5. Touche programmation (seulement pour les utilisateurs autorisés)
6. Touche On/Stand-by (maintenir appuyer)
7. Touche dégivrage manuel (maintenir appuyer)



Comment déverrouiller le clavier («Loc» message)

Appuyez sur un bouton pendant plus de 2s, le message «UnL» apparaîtra et le clavier sera déverrouillé.

Note: pour des raisons de sécurité le clavier se verrouille automatiquement après 30s d'inactivité sur les touches. Pour exécuter toute opération, il faut d'abord déverrouiller le clavier.

Comment visualiser et modifier le point de consigne

Appuyer et relâcher immédiatement la touche **SET**, le point de consigne sera visualisé et commence à clignoter ;

Pour changer la valeur appuyer sur la touche  $\wedge$  ou  $\vee$  dans les 20 secondes.

Pour mémoriser la nouvelle valeur du point de consigne appuyer sur la touche **SET** ou attendre 20 sec.

Dégivrage automatique

Les appareils exécuteront automatiquement un cycle de dégivrage.

Remarque: le cycle commence à partir du moment où l'appareil est mis sous tension.

Pour faire un dégivrage manuel :

Appuyez et maintenez la touche DEGRIVAGE  $\wedge$  pendant 3s.

Le cycle de dégivrage commencera immédiatement et l'indicateur lumineux de dégivrage s'allumera.

Remarque : lors du dégivrage automatique, la minuterie du dégivrage se remet automatiquement à zéro. Le prochain cycle de dégivrage automatique commence après le dégivrage manuel.

Comment mettre l'appareil dans l'état ON / STAND -BY

Appuyez et maintenez la touche  $\cup$  pendant 4s, l'appareil va passer de l'état ON à STAND-BY et vis-versa. Pendant que la touche  $\cup$  est maintenu la LED va clignoter pour indiquer le changement d'état .

## Procédure de dégivrage

### Réfrigérateur :


Dégivrage automatique avec évaporation des eaux automatique.

Dégivrage automatique

Les appareils exécuteront automatiquement un cycle de dégivrage.

Remarque : le cycle de dégivrage commence à la première mise en service de l'appareil.

Pour dégivrer manuellement l'appareil :

- Appuyez et maintenez le bouton DEFROST (DÉGIVRAGE) durant  5 secondes
- Le cycle de dégivrage commencera immédiatement et l'indicateur lumineux de dégivrage s'allumera.

**Remarque :** lors du dégivrage automatique, la minuterie du dégivrage se remet automatiquement à zéro. Le prochain cycle de dégivrage automatique commence après le dégivrage manuel.

### Congélateur:

Dégivrage automatique en mettant hors circuit et en tirant la fiche de secteur. Veuillez au préalable vider le congélateur armoire et attendre que la glace intérieure soit fondue. Recueillir l'eau du dégivrage.



N'utilisez jamais d'objet tranchant ou pointu qui pourrait endommager le congélateur / le réfrigérateur.

## Changement de la charnière de la porte

La porte peut être changée de droite à gauche grâce aux charnières articulées, et vice versa.

Pour cela, procédez comme suit :

1. Mettre l'appareil hors circuit et le débrancher de l'alimentation électrique.



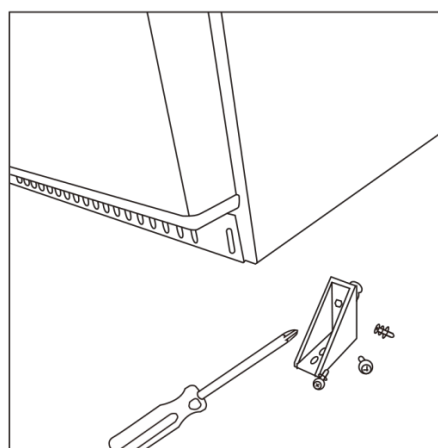
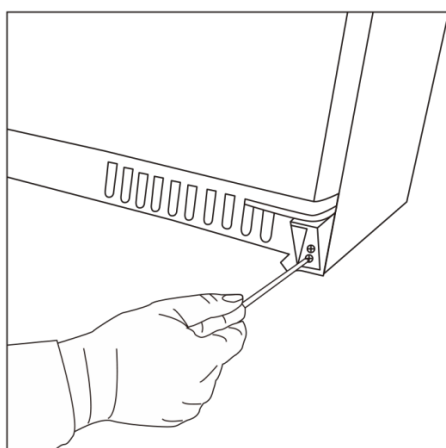
Charnière 3 (charnière supérieure de la porte)

Charnière 4 (charnière inférieure de la porte)

Charnière 1\* Charnière 2  
(voir remarque)

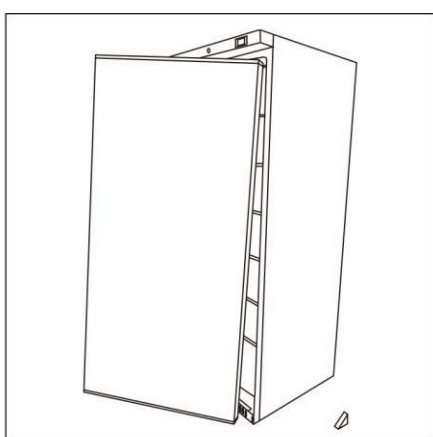
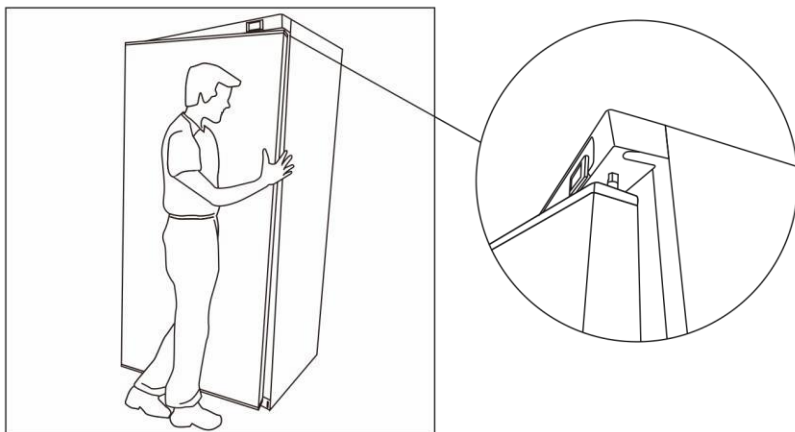
Remarque : possède un petit rouleau qui aide la porte à glisser lorsqu'elle se ferme et qui fonctionne comme un support de porte.

2. Détachez la charnière 2

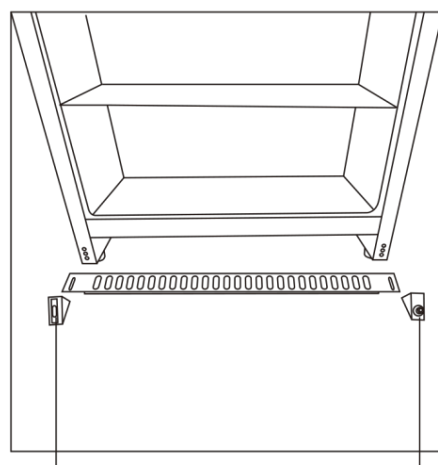
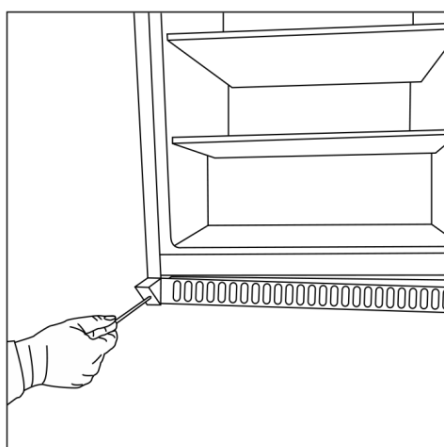


# Changement de la charnière de la porte

3. Enlevez la porte



4. Détachez la charnière 1



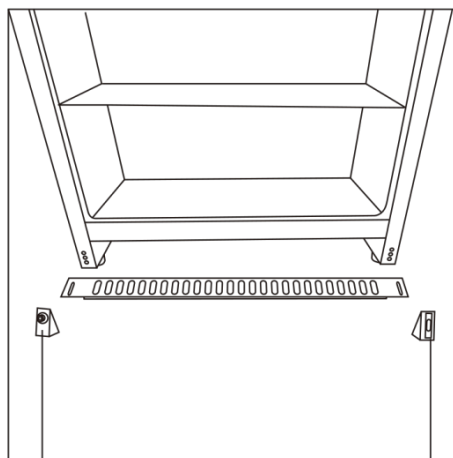
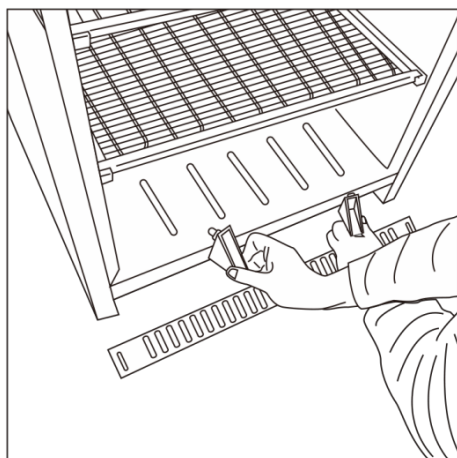
Charnière 1

Charnière 2



## Changement de la charnière de la porte

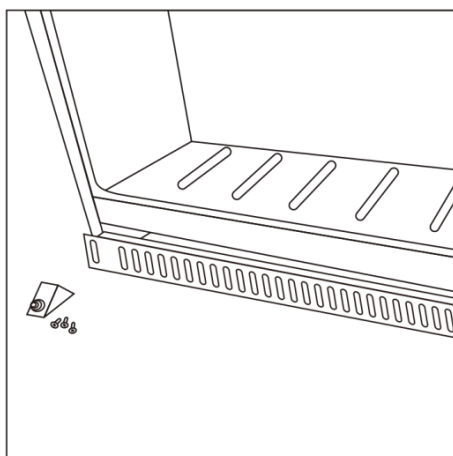
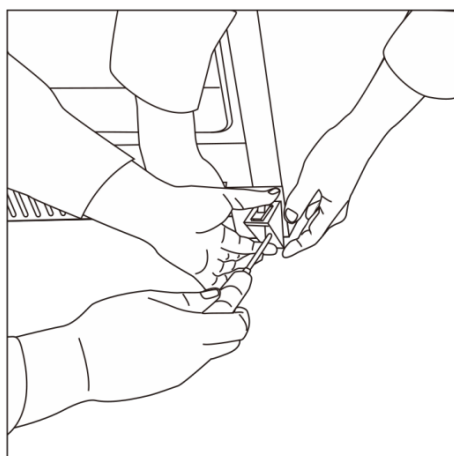
5. Changez la position des deux charnières



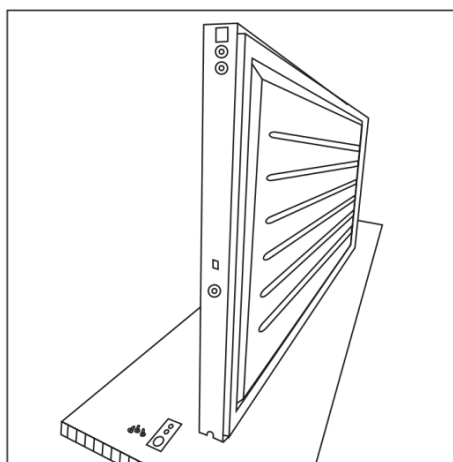
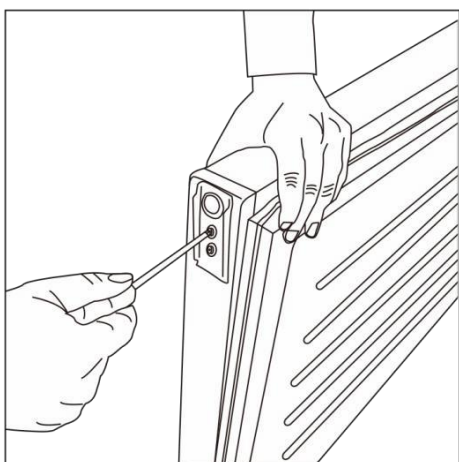
Charnière 2

Charnière 1

6. Fixez la charnière 1

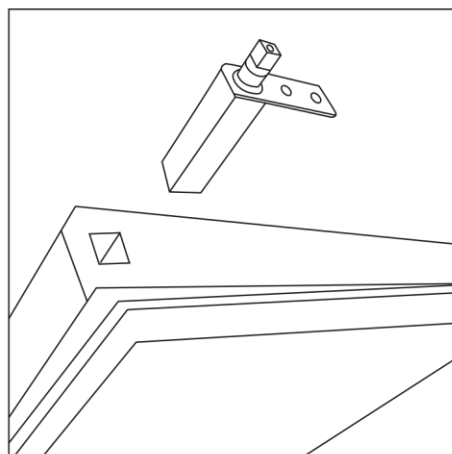
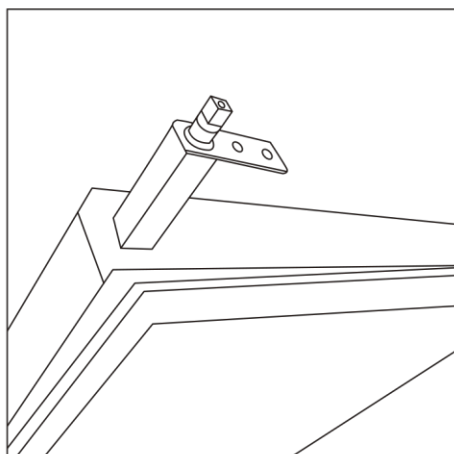
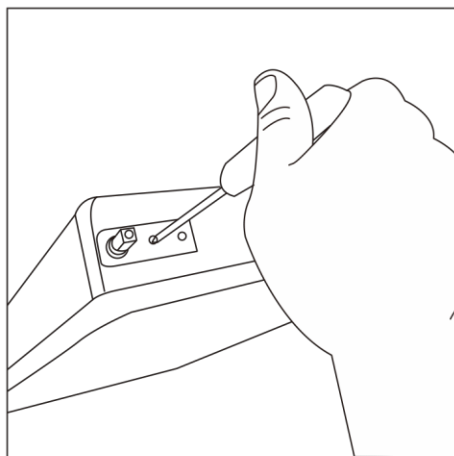


7. Détachez la charnière 4 (charnière inférieure de la porte)

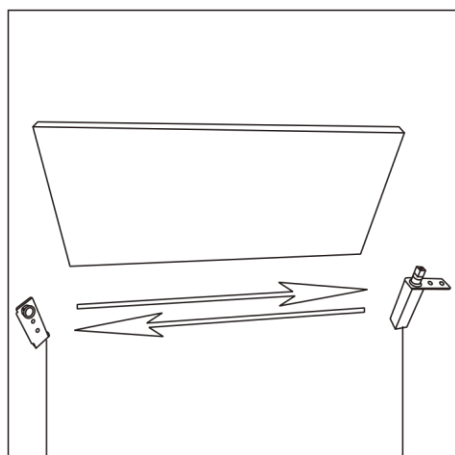


8. Détachez la charnière 3 (charnière supérieure de la porte)

## Changement de la charnière de la porte

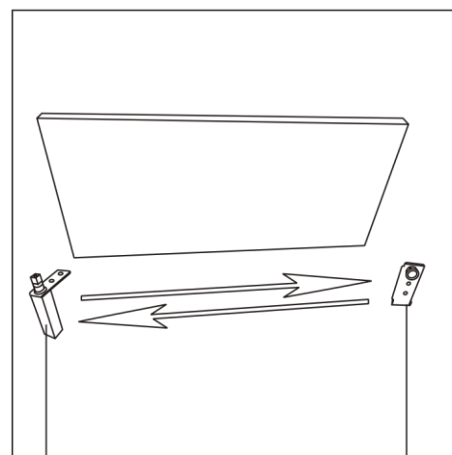


9. Échangez la position des charnières 3 et 4.



Charnière 4

Charnière 3

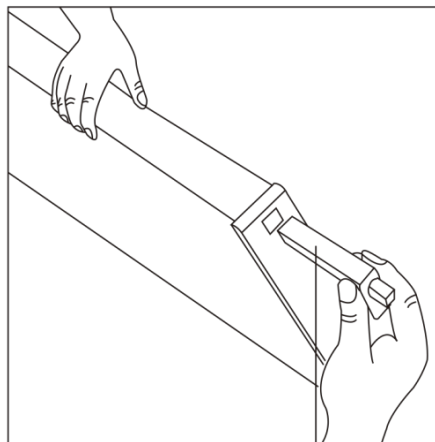
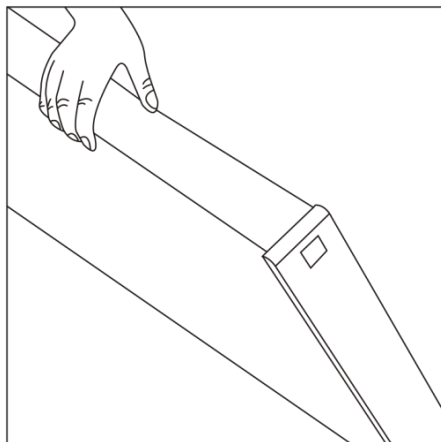


Charnière 3

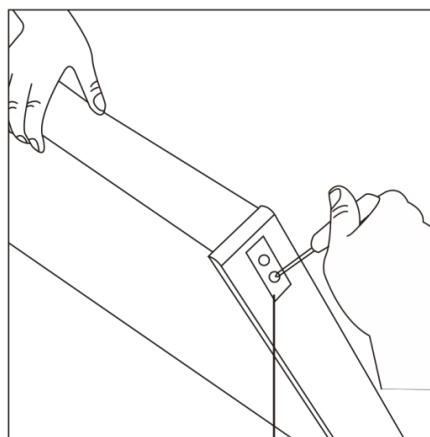
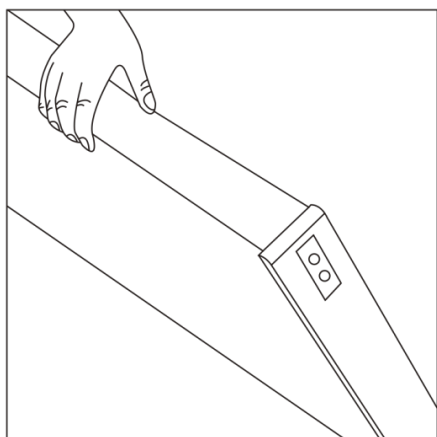
Charnière 4

## Changement de la charnière de la porte

10. Fixer sur la porte les charnières 3 et 4.

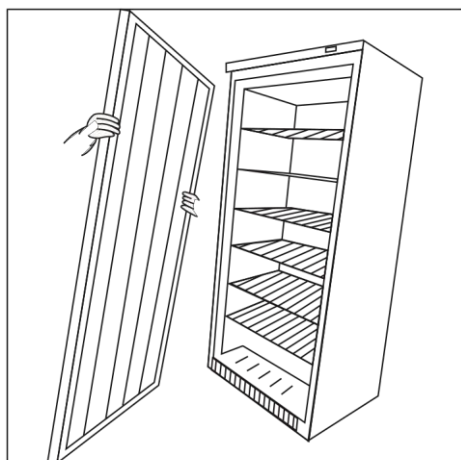


Charnière 3

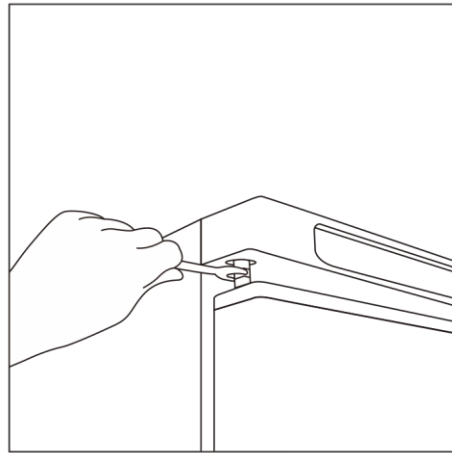
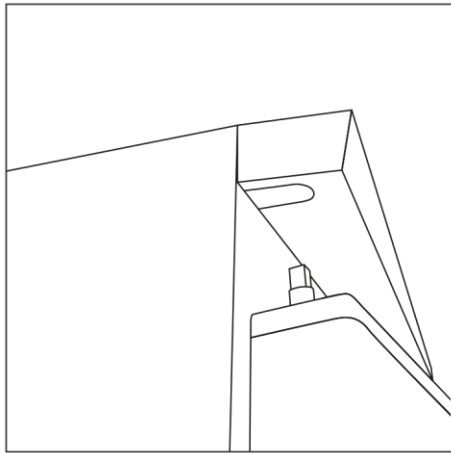


Charnière 4

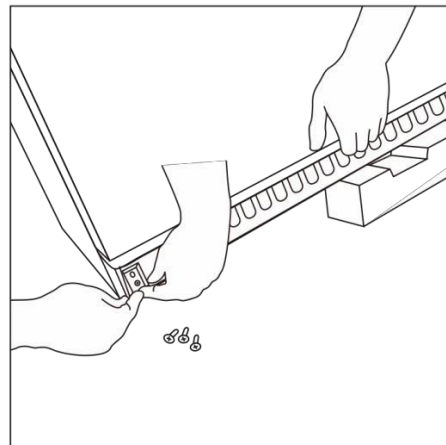
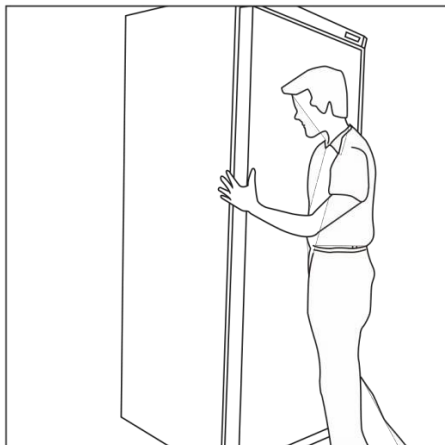
11. Placez la porte à l'envers et connectez la charnière supérieure.



## Changement de la charnière de la porte



12. Fixez la charnière 2



## Entretien et nettoyage



Avant le nettoyage, l'appareil doit être complètement débranché du réseau électrique !

L'appareil doit être maintenu propre en utilisant une solution de savon doux. N'utilisez pas de produits nettoyants abrasifs. Les pièces en plastique ne peuvent pas résister à l'eau bouillante (température maximale : +85 ° C).

Lorsque le nettoyage régulier est effectué, n'oubliez pas de nettoyer le joint en caoutchouc de la porte afin d'assurer que toutes les substances collantes sont enlevées car elles pourraient endommager le joint.

La sortie d'air du ventilateur du condensateur situé au-dessus du compresseur doit être exempte de feuilles, de papier etc. pour assurer le fonctionnement normal de l'appareil.

Le condensateur situé à l'arrière de l'appareil doit être régulièrement nettoyé. Le mieux est d'utiliser un aspirateur et une brosse.

### Entretien régulier

Avant de procéder au nettoyage, éteignez l'appareil et débranchez le câble d'alimentation.

- Nettoyez l'intérieur de l'appareil aussi souvent que possible.
- Nettoyez l'appareil avec un chiffon humide. Ne laissez jamais l'interrupteur, le panneau de contrôle, le câble ou la prise de venir mouillés.
- N'utilisez pas de produits nettoyants abrasifs. Ceux-ci peuvent laisser des résidus nocifs. Utilisez uniquement de l'eau savonneuse.
- Nettoyez le joint de la porte avec de l'eau seulement.
- Assurez-vous que l'eau de nettoyage ne pénètre pas dans les composants électriques.
- L'appareil ne doit pas être nettoyé avec un jet d'eau.
- Essuyez toujours les pièces après leur nettoyage avec un chiffon doux.
- Prenez des précautions lorsque vous nettoyez l'arrière de l'appareil.
- Un agent ou un technicien qualifié doit effectuer les réparations si nécessaire.
- Si l'appareil est laissé inactif pendant de longues périodes, débranchez l'appareil après avoir tourné l'interrupteur en position OFF, videz le compartiment de réfrigération et nettoyez-le entièrement. Laissez la porte ouverte pour éviter la formation d'odeurs et de moisissures.

### Entretien spécifique

Les instructions données dans le paragraphe suivant sont destinées à une personne compétente.

Opérations d'entretien spécifiques

- Nettoyez régulièrement le condensateur à l'aide d'outils appropriés (aspirateur ou brosses souples).
- Vérifiez que les connexions électriques ne sont pas lâches.
- Vérifiez que le thermostat et le capteur sont en bon état de fonctionnement.
- Un nettoyage régulier du condensateur peut prolonger la vie de l'appareil.
- Il est recommandé qu'un agent ou un technicien qualifié nettoie le condensateur.
- La clé du compartiment électrique doit être conservée hors de portée des enfants et des utilisateurs.
- Utilisez uniquement la clé pour ouvrir le système de verrouillage.

# Guide de dépannage

En cas de dysfonctionnements de votre appareil réfrigérateur, congélateur, veuillez consulter le tableau suivant.

Erreur	Cause probable	Solution
L'appareil ne fonctionne pas.	L'appareil n'est pas mis en marche	Vérifiez que la prise est correctement branchée, et que la prise est bien sous tension
	La prise ou le câble est endommagé	Consultez notre agent de service après-vente ou un technicien qualifié
	Alimentation	Vérifiez l'état d'alimentation
	Erreur de connexion interne	Consultez notre agent de service après-vente ou un technicien qualifié
L'appareil se met en marche, mais la température est trop élevée / basse	Trop de glace dans l'évaporateur	Dégivrez l'appareil
	Le condensateur est obstrué de poussières	Nettoyez entièrement le condensateur
	La porte est mal fermée.	Assurez-vous que la porte est fermée et que les joints ne sont pas endommagés.
	L'appareil est situé près d'une source de chaleur, où la circulation d'air vers le condensateur est bloquée	Déplacez le réfrigérateur vers un endroit plus approprié
	La température ambiante est trop élevée	Augmentez le taux de ventilation ou déplacez l'appareil vers un lieu plus frais
	Des denrées alimentaires non appropriées sont stockées dans l'appareil	Retirez toute denrée alimentaire chaude ou blocages sur le ventilateur
	L'appareil est en surchauffe	Réduisez la quantité de denrées alimentaires stockées dans l'appareil
De l'eau s'écoule de l'appareil (Refrigerator)	L'appareil n'est pas nivelé correctement	Ajustez les vis des pieds pour niveler l'appareil
	La sortie de vidange est bloquée	Nettoyez la sortie de vidange
	Le récipient d'eau est endommagé	Consultez notre agent de service après-vente ou un technicien qualifié
L'appareil émet des bruits inhabituels	Ecrous/ Vis desserrés.	Vérifiez et resserrez toutes les vis et écrous
	L'appareil n'a pas été installé en position stable et horizontale	Vérifiez la position d'installation et changez-la si nécessaire

## Mise au rebut

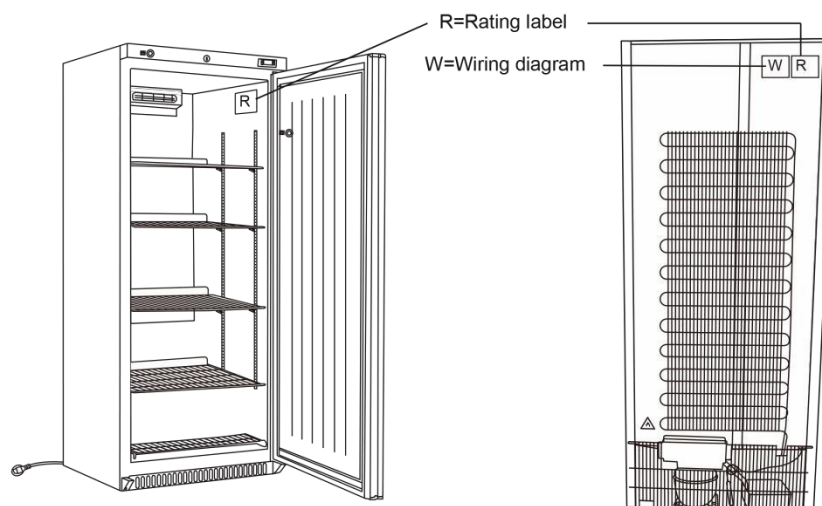
Si l'appareil n'est plus d'usage et que vous souhaitez vous en débarrasser, veuillez le faire de manière écologiquement correcte. Il peut y avoir des exigences particulières ou des conditions. Vous pouvez obtenir des renseignements sur l'élimination des appareils de réfrigération par:

- Votre revendeur
- Les autorités gouvernementales (le Conseil local, le ministère de l'Environnement etc.)

## Données techniques

Modèle	Réfrigérateur			Congélateur		
	200lt	400lt	600lt	200lt	400lt	600lt
Classe climatique	3	3	3	3	3	3
Gaz frigorigène	Veuillez vous référer aux informations indiquées sur le produit. Vous trouverez ces informations sur la plaque signalétique apposée au dos de l'appareil ainsi qu'à l'intérieur du compartiment de réfrigération.  Le schéma des circuits est apposé au dos de l'appareil ainsi qu'à l'intérieur du compartiment de réfrigération.					
Charge de réfrigérant						
Gamme de températures (°C)						
Puissance d'entrée						
Fréquence nominale						
Tension nominale						
Volume interne						
Poids net						
Poids brut						
Dimensions extérieures (mm)						
Agent moussant	CP			CP		

POUR LES DÉTAILS TECHNIQUES ET SCHÉMA ÉLECTRIQUE VOIR ÉTIQUETTE SUR LE DOS DU PRODUIT.



Informations sur la protection de l'environnement

Tout appareil électrique usé est une matière recyclable et ne fait pas partie des ordures ménagères! Nous vous demandons de bien vouloir nous soutenir en contribuant activement au ménage des ressources et à la protection de l'environnement en déposant cet appareil dans des sites de collecte (si existants).

## Données techniques



ATTENTION : RISQUE D'INCENDIE ET D'EXPLOSION AVEC RÉFRIGÉRANT  
INFLAMMABLE R600a.



## Garantie

La garantie légale s'applique à ce produit.

Toute réclamation doit être formulée immédiatement après constatation. La demande de garantie peut être formulée par l'acheteur ou par un tiers. Le droit de garantie ne s'applique pas dans les cas suivants: mauvaise utilisation ou fausse manipulation, stockage ou rangement non soigné, mauvais branchement ou montage, violence faite à l'appareil ou toute autre influence extérieure. Nous vous recommandons de lire attentivement le mode d'emploi qui vous fournit des informations importantes.

Toute demande de garantie de l'acheteur est soumise à la présentation de la preuve d'achat.

Remarques :

1. Si votre produit ne fonctionne plus correctement, merci de vérifier au préalable si une mauvaise manipulation ou une coupure d'électricité, par exemple, n'est pas à l'origine de ce dysfonctionnement.
2. Merci de fournir dans tous les cas les informations et documents suivants relatifs à votre produit défectueux :
  - Preuve d'achat
  - Désignation de l'appareil / type / marque
  - Description la plus précise possible du dysfonctionnement ou du défaut.

Pour toute demande de garantie ou pour signaler un dysfonctionnement, veuillez vous adresser à votre magasin.

GWL 7/08 E/FR



## Tradução das instruções originais

Estimado Cliente

Parabéns pela sua compra. Como todos os nossos produtos, este também foi desenvolvido tendo em conta a tecnologia atual e fabricado utilizando componentes eléctricos de alta fiabilidade.

Antes de colocar o aparelho em funcionamento, disponha de alguns minutos para ler as seguintes instruções de utilização.



### Índice

Informações de segurança importantes.....	42
Finalidade a que se destina.....	43
Elementos de controlo .....	44
Localização e instalação .....	46
Requisitos energéticos.....	47
Primeira utilização.....	47
Funcionamento .....	48
Descongelação .....	50
Mudar a dobradiça da porta .....	50
Limpeza, cuidado e manutenção .....	56
Solução do problema .....	57
Eliminar .....	58
Dados técnicos.....	58
Garantia .....	59

## Informações de segurança importantes

1. aparelho foi criado para um uso comercial ou semelhante (por ex., em lojas).
2. NUNCA utilize o aparelho no exterior.
3. NUNCA tente reparar você mesmo o aparelho.
4. NUNCA utilize o aparelho se apresentar danos. Se tiver dúvidas, consulte o agente de serviço.
5. Não utilize aparelhos eléctricos no interior do aparelho (por ex. aquecedores, máquinas de fazer gelado, etc.), excepto se forem do tipo recomendado pelo fabricante.
6. Certifique-se que mantém as aberturas de ventilação, na estrutura do aparelho ou na estrutura integrada, desbloqueadas.
7. Não utilize dispositivos mecânicos ou outros meios para acelerar o processo de descongelar, além dos meios recomendados pelo fabricante.
8. NUNCA danifique o circuito refrigerante do aparelho.
9. NÃO se coloque em cima da base, gavetas ou porta.
10. Tenha em atenção para que não entre óleo ou gordura em contacto com os componentes de plástico ou os vedantes da porta. Limpe imediatamente, se ocorrer o contacto.
11. NUNCA coloque artigos combustíveis, explosivos ou voláteis, ácidos corrosivos ou alcalinos ou líquidos no aparelho.
12. Não utilize este aparelho para guardar medicamentos.
13. NUNCA limpe o aparelho com jactos de água ou máquinas de pressão.
14. NÃO permita que crianças brinquem com a caixa. Elimine os sacos de plástico em segurança.
15. As garrafas que contêm uma elevada percentagem de álcool devem ser seladas e colocadas na vertical dentro do frigorífico.
16. Transporte, guarde e manuseie sempre o aparelho na vertical. Mova o aparelho ao segurar sempre pela base.
17. Antes de limpar o aparelho, desligue sempre do interruptor e da corrente eléctrica.
18. Se o fio da alimentação ficar danificado, tem de ser substituído pelo fabricante, o seu agente de reparação ou uma pessoa igualmente qualificada, de modo a evitar perigos.
19. Este aparelho não se destina a ser utilizado por pessoas (incluindo crianças) com capacidades físicas, sensoriais ou mentais reduzidas, ou com falta de experiência e conhecimento, excepto se tiverem supervisão ou instruções referentes à utilização do aparelho por uma pessoa responsável pela sua segurança.
20. As crianças devem ser supervisionadas para garantir que não brincam com o aparelho.
21. Apenas para uso no interior. Não instale em áreas onde possa ser usado um jacto de água. Nunca limpe com um jacto de água.

## **Informações de segurança importantes**

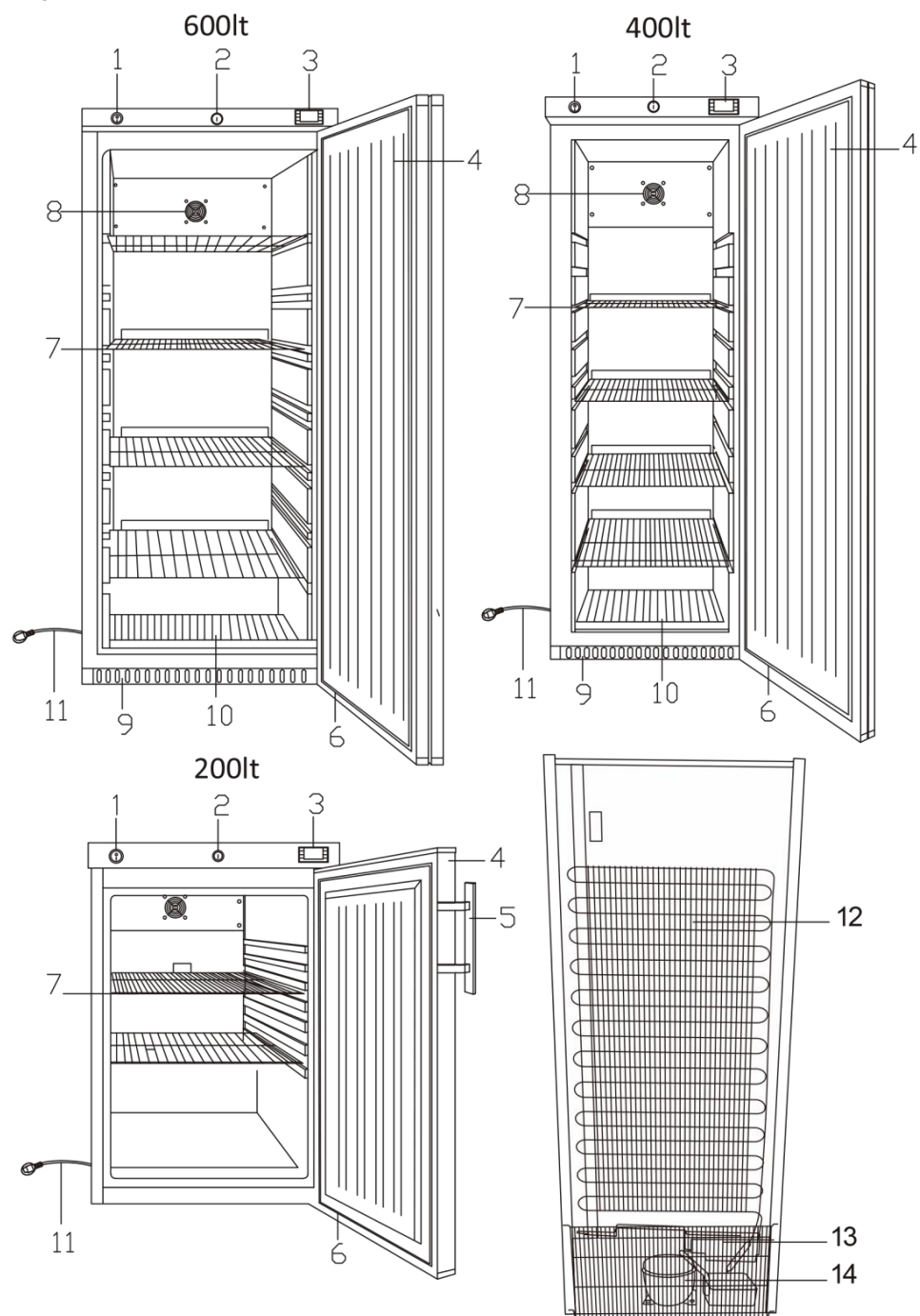
22. Para garantir o funcionamento seguro do aparelho, certifique-se que o aparelho é instalado e ligado como descrito no manual de instruções.
23. Quaisquer reparações e trabalhos no aparelho só devem ser executados pelo departamento de service ao cliente ou por um técnico qualificado.
24. A capacidade máxima de carga do aparelho é de 25 kg.
25. A chave do frigorífico/congelador deverá ser mantida fora do alcance das crianças e utilizadores.

## **Finalidade a que se destina**

Este aparelho foi concebido exclusivamente para o arrefecimento e armazenagem de alimentos e bebidas no local de comércio.

# Elementos de controlo

Frigorífico

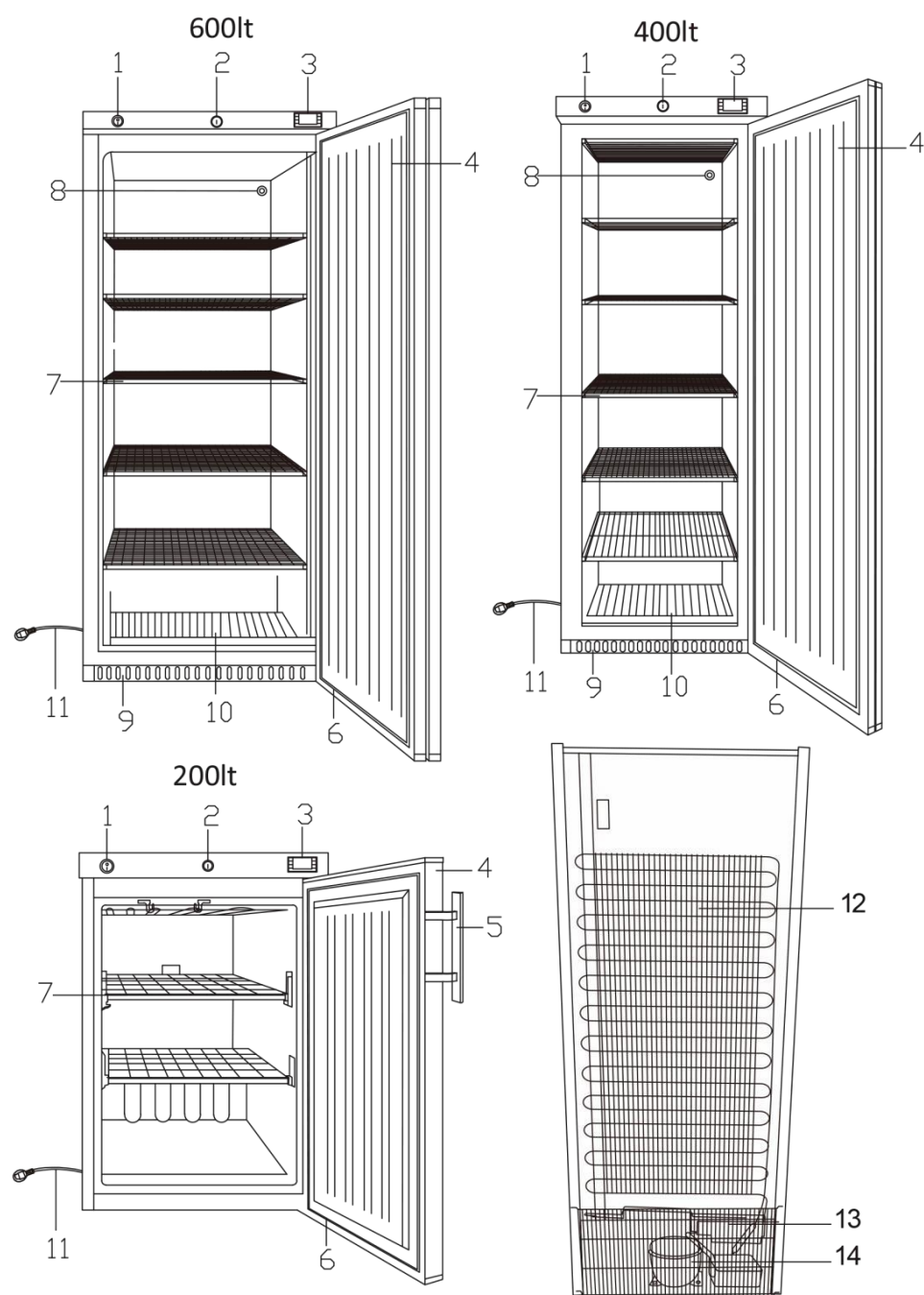


- 1. Interruptor de Ligar/Desligar (opcional)
- 2. Fechadura
- 3. Controlador
- 4. Porta
- 5. Pega
- 6. Vedante
- 7. Prateleira

- 8. Ventoinha
- 9. Painel inferior
- 10. Prateleira Inferior
- 11. Cabo de alimentação
- 12. Condensador
- 13. Ventoinha do condensador
- 14. Compressor

# Elementos de controlo

Congelador



- 1. Interruptor de Ligar/Desligar (opcional)
- 2. Fechadura
- 3. Controlador
- 4. Porta
- 5. Pega
- 6. Vedante
- 7. Prateleira

- 8. Válvula de pressão
- 9. Painel inferior
- 10. Prateleira Inferior
- 11. Cabo de alimentação
- 12. Condensador
- 13. Ventoinha do condensador
- 14. Compressor

## Localização e instalação

O aparelho deve ser colocado numa divisão seca e suficientemente ventilada. Para garantir um funcionamento eficaz, não deve ser posicionado à luz solar directa nem perto de aparelhos quentes. Tenha em atenção que o desempenho ideal do aparelho é obtido a uma temperatura ambiente entre os 16 °C e 35 °C.

Frigorífico, Congelador: Ao colocar o aparelho num ambiente com elevada humidade no ar, pode ser necessário adquirir equipamento extra para a evaporação da água na bandeja perto do compressor. O aparelho pode ser instalado livremente, contra uma parede.

### Importante!

Certifique-se que o aparelho possui ventilação suficiente e circulação de ar livre por baixo, cima e por trás do aparelho. As pernas por baixo do aparelho e os espaçadores na parte traseira irão ajudar a garantir espaço de ar suficiente.

- Remova o aparelho da embalagem. Certifique-se que todas as películas de plástico de protecção e revestimentos são removidos de todas as superfícies. Para evitar ferimentos ou danos ao aparelho, recomendamos que seja desembalado e instalado por duas pessoas.
- Endireite o aparelho, ao ajustar os parafusos dos pés. O aparelho deve ser colocado numa superfície plana ou numa base adequada para reduzir o ruído e a vibração.
- Certifique-se de que a alimentação e a tensão usadas encontram-se em conformidade com os dados na placa das especificações. A ficha tem de ficar acessível após a instalação.
- Ligue e desligue correctamente a ficha. Quando a inserir, certifique-se de que a ficha fica completamente inserida. Quando retirar a ficha, faça-o segurando pela ficha. Nunca puxe pelo fio.
- Se o aparelho tiver de ser desligado durante um longo período de tempo, desligue-o e retire a ficha da tomada. Limpe o aparelho e deixe a porta aberta, para prevenir odores.
- Importante! Para sua segurança pessoal, o aparelho deve ser devidamente ligado a terra! Este aparelho está equipado com uma ficha com cabo de terra. A ficha deve ser inserida numa tomada devidamente ligada a terra e instalada. Consulte um electricista qualificado ou centro de serviços se não entender as instruções de ligação a terra. Caso tenha dúvidas sobre se o aparelho está devidamente ligado a terra, peça a um electricista qualificado para verificar o circuito, para se certificar que a ficha está devidamente ligada a terra.
- Se o cabo não chegar à tomada mais próxima, disponha os artigos na sua loja numa ordem diferente ou peça a um electricista qualificado para instalar uma nova tomada.
- Se faltar a electricidade, aguarde no mínimo 3 minutos antes de reiniciar o aparelho, para evitar danificar o compressor.

**Nota:** Se o aparelho não tiver sido guardado ou movimentado na vertical, coloque na vertical e espere cerca de 12 horas antes de ligar o aparelho.

**Nota:** Antes de utilizar o aparelho pela primeira vez, limpe as prateleiras e o interior com água e detergente.

## Requisitos energéticos

Este aparelho destina-se a ser ligado a uma corrente alternativa. A tensão de ligação (V) e a frequência (Hz) são apresentadas na placa informativa do aparelho. A ligação eléctrica é realizada através de uma ficha de três pinos a uma tomada eléctrica. Deve ser cumprido qualquer requisito para ligação a terra pela rede de abastecimento eléctrica local. A ficha do aparelho e a tomada eléctrica devem então oferecer uma ligação terra correcta. Se tiver dúvidas, contacte o seu fornecedor local ou um electricista qualificado.



Atenção! Este aparelho deve ser ligado a terra.

O cabo flexível instalado neste aparelho possui três núcleos para utilizar com uma ficha de 3 pinos. Se uma ficha B.B. 1363 (de 13 amperes) com protecção for utilizada, deve ser equipada com um fusível de 13 amperes ou numa ficha Shucko montada com ângulo direito. Tenha em atenção a placa com um orifício no meio e por cima dos dois pinos - isto serve para ligar a tomadas eléctricas francesas e belgas, que possuem um pino de terra que se destaca. Os outros países europeus utilizam uma tomada eléctrica com um contacto de protecção, que surge de lado e se liga a essa ficha. Isto garante que a tomada pode ser utilizada na maioria dos países europeus.

Importante:

Os cabos nesta rede são coloridos de acordo com o seguinte código:

verde e amarelo: terra / protecção de rede

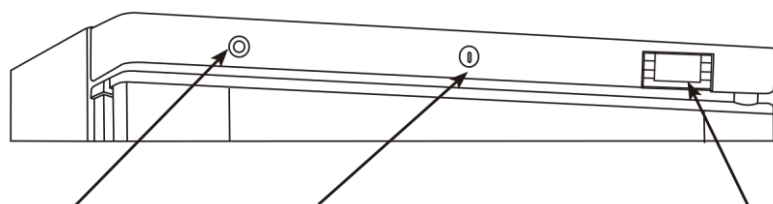
Azul: neutro

Castanho: Vivo

As cores dos cabos na rede deste aparelho podem não corresponder às marcações coloridas que identificam os terminais na sua ficha.

O cabo que é colorido verde e amarelo deve ser ligado ao terminal na ficha marcado com 'E' ou com o símbolo de 'terra' ou de cor verde e amarelo. O cabo azul deve ser ligado ao terminal marcado com a letra 'N', ou de cor preto. O cabo castanho deve ser ligado ao terminal marcado com a letra 'L' ou de cor vermelha.

## Primeira utilização



interruptor principal  
(opcional)

Fecho

Indicador do termóstato

Ligar o aparelho à corrente eléctrica.

O indicador mostra a temperatura actual do aparelho.



Atenção Certifique-se que o aparelho está desligado da rede eléctrica antes de realizar manutenção nas peças eléctricas.

# Funcionamento

## Armazenar alimentos

Para obter os melhores resultados do seu aparelho, siga estas instruções:

- Guarde apenas alimentos no aparelho quando este tiver atingido a temperatura de funcionamento correcta.
- Feche sempre a porta quando não utilizar o aparelho e este estiver ligado.
- Nunca coloque alimentos destapados ou líquidos quentes dentro do aparelho.
- Embrulhe ou tape os alimentos sempre que possível.
- Não tape as ventoinhas no interior do aparelho. (Frigorífico)
- Evite abrir a porta durante longos períodos de tempo.
- A capacidade máxima de carga para uma prateleira é de 25 kg.
- Os alimentos devem ser colocados dentro de recipientes antes de serem colocados no aparelho ou numa prateleira. Os alimentos não devem ser colocados directamente dentro do aparelho.

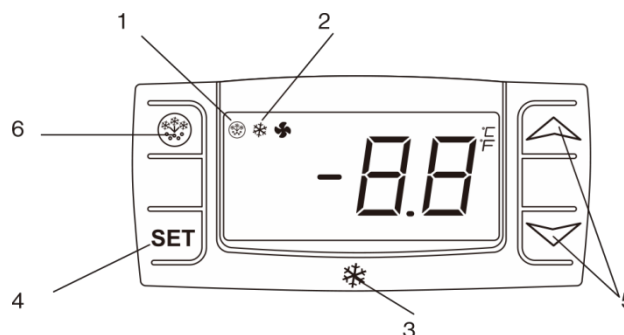
## Ligar o aparelho

- Feche a porta do aparelho.
- Certifique-se que o interruptor está na posição (O) . Insira a ficha numa tomada eléctrica.
- Coloque o interruptor na posição (I) . A temperatura actual dentro do aparelho é apresentada.
- sinal ❄ no visor pisca durante 3 minutos para indicar um atraso entre a paragem e novo arranque do compressor do motor.

## Definir a temperatura e controlar

Apresentação do termostato e painel de controlo

1. Luz de descongelar
2. Luz de funcionamento do compressor
3. Termóstato digital
4. Tecla de programação (apenas para o agente de manutenção)
5. Tecla de modificação da temperatura
6. Descongelar manual



## Como ver o ponto de definição

- Prima e deixe de premir o botão SET. Aparece o ponto de definição.
- Prima e deixe de premir de novo o botão SET ou espere cerca de 5 segundos para voltar à visualização normal.

## Como mudar o ponto de definição

- Prima o botão SET durante mais de 2 segundos para mudar o valor do ponto de definição.
- valor da temperatura é apresentado e „°C“ começa a piscar.
- Para alterar a temperatura, prima „ ^ ” (cima) ou „ V ” (baixo) dentro de 10 segundos.
- Para memorizar a nova temperatura, prima novamente a tecla SET ou aguarde 10 segundos.

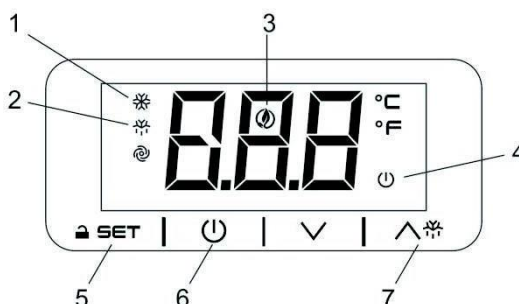


# Funcionamento

## Controle e ajuste de temperatura(EVCO)

Painel frontal do controlador

1. LED de compressorativo
2. LED de degeloativo
3. LED de modo econômico ativo
4. LED de Stand-byativo
5. Tecla de programação (somente agente de manutenção)
6. Equipamento Ligado/Stand-by (Manter pressionado)
7. Degelo manual (Manter pressionado)



Como desbloquear o teclado ( »Loc« mensagem )

Pressione qualquer tecla por mais de 2s, a mensagem «UnL» aparecerá no display e o teclado será desbloqueado.

**Nota:** por razão de segurança o teclado é bloqueado automaticamente após 30 segundos de inatividade.

Para executar qualquer operação, por favor, desbloqueie o teclado antes.

Como visualizar e modificar o set point

Pressione e solte rapidamente a tecla **SET**, o set point será mostrado no display e o LED ✱ ficará piscando;

Para alterar o valor do set point pressione  $\wedge$  ou  $\vee$  dentro de 20s.

Para gravar o novo set point pressione a tecla **SET** novamente ou aguarde 20s.

### Descongelamento automático

**O aparelho executa automaticamente um ciclo de descongelar.**

**Nota:** os ciclos iniciarão no momento em que o equipamento for energizado.

Para iniciar um degelo manual:

Mantenha pressionada a tecla  $\wedge$  ✱ por 3s;

O ciclo de descongelar começa imediatamente e o LED descongelar acende-se.

**Nota:** Iniciar um descongelamento manual também reinicia o temporizador automático de descongelamento. A descongelação automática seguinte começa após o final do descongelamento manual.

### Como ligar ou colocar e equipamento em STAND-BY

Mantenha pressionada a tecla  $\text{⏻}$  por 4s, o equipamento passará do estado ligado para o estado de STAND-BY e vice-versa. Enquanto o botão é pressionado o LED  $\text{⏻}$  piscará para mostrar que o estado será alterado.

## Descongelação

### Frigorífico:

Descongelamento automático usando a evaporação automática da água.

Descongelamento automático

O aparelho executa automaticamente um ciclo de descongelar.

**Nota:** O ciclo começa, mal ligue o aparelho à alimentação.

Para descongelar manualmente o aparelho:

Mantenha a tecla ESCONGELAR premida durante  5 segundos.

● ciclo de descongelar começa imediatamente e o LED descongelar acende-se.

**Nota:** Iniciar um descongelamento manual também reinicia o temporizador automático de descongelamento. A descongelação automática seguinte começa após o final do descongelamento manual.

### Congelador:

Descongelamento manual desligando e retirando a ficha da tomada. Por favor, esvazie primeiro a arca congeladora e espere que o gelo no seu interior derreta. Tem de recolher a água da condensação.



Nunca utilize um objecto afiado ou pontiagudo que possa danificar o congelador / frigorífico.

## Mudar a dobradiça da porta

A porta pode ser mudada para abrir do lado direito ou do lado esquerdo.

Para tal, prossiga do seguinte modo:

1. Desligue a energia e retire a ficha da tomada.



Dobraçã 3 (dobraçã superior da porta)

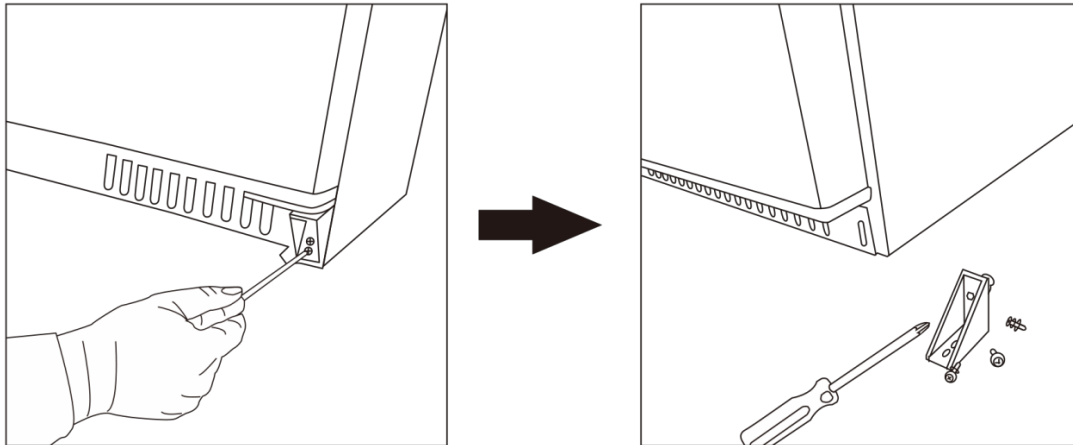
Dobraçã 4 (dobraçã inferior da porta)

Dobraçã 1\*    Dobraçã 2 (consulte a nota)

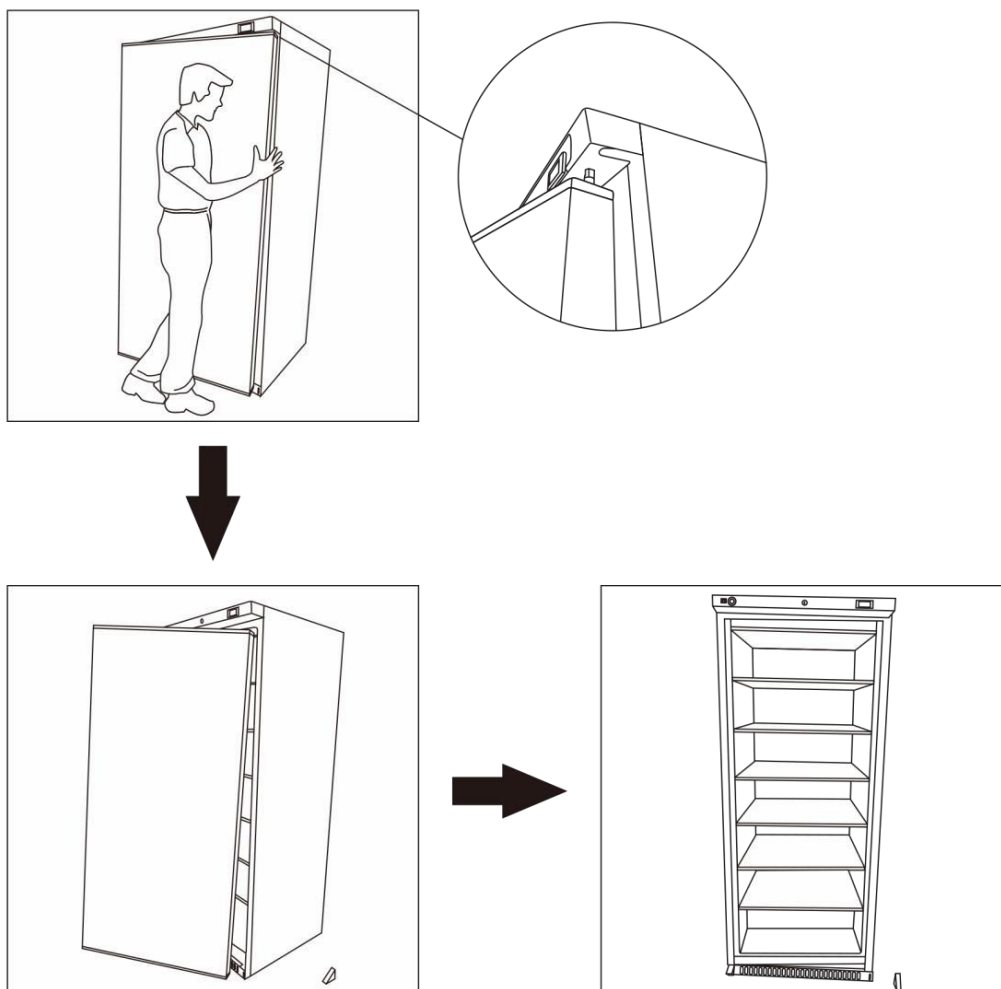
## Mudar a dobradiça da porta

Nota: Tem um pequeno rolo que ajuda a deslizar a porta quando fechar, e funciona como suporte da porta.

### 2. Remova a dobradiça 2

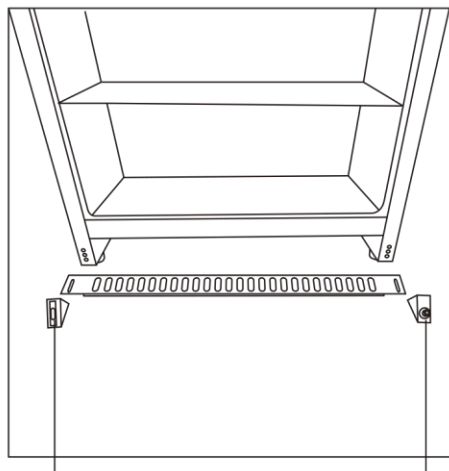
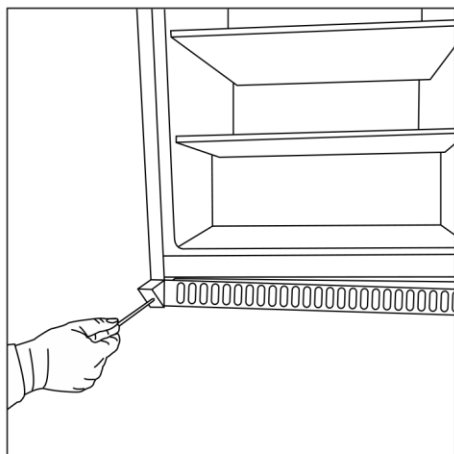


### 3. Retire a porta



## Mudar a dobradiça da porta

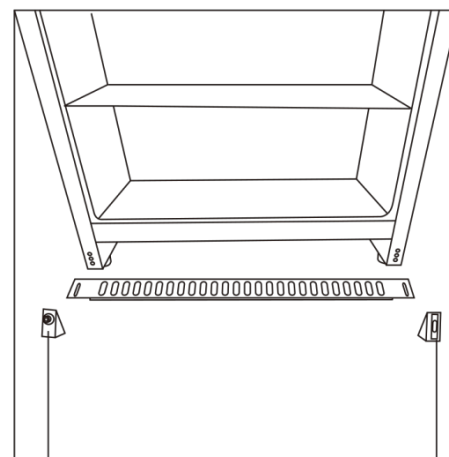
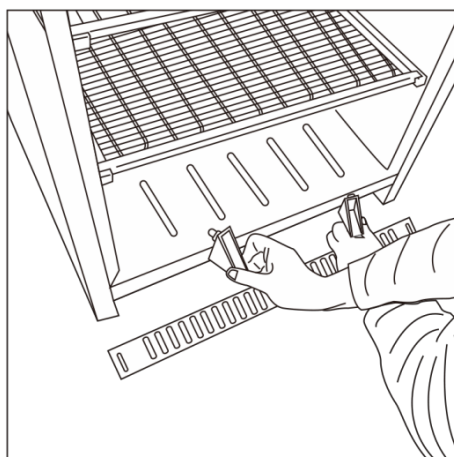
### 4. Remova a dobradiça 1



Dobradiça 1

Dobradiça 2

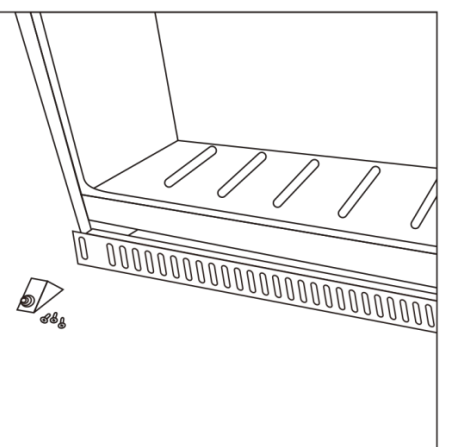
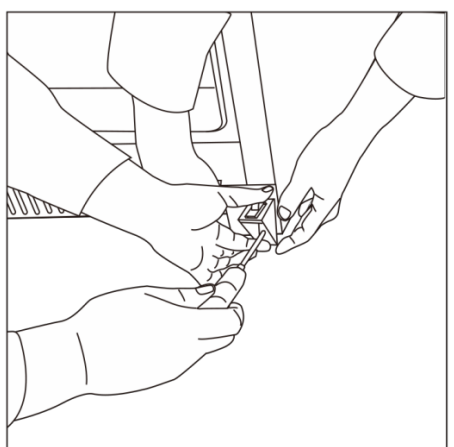
### 5. Altere as posições das dobradiças 1 e 2



Dobradiça 2

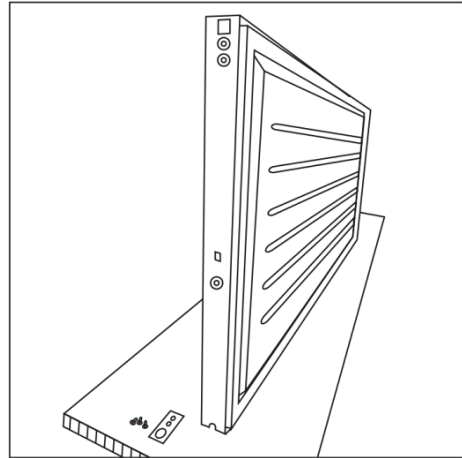
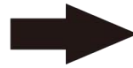
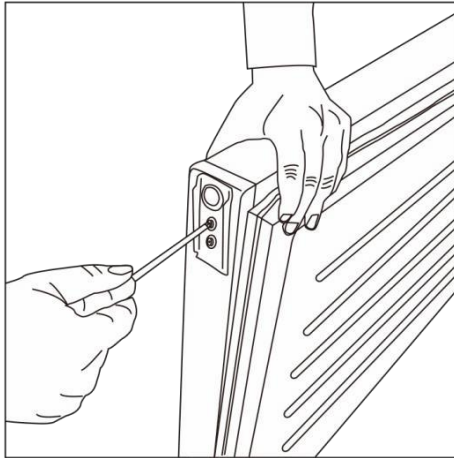
Dobradiça 1

### 6. Tape a dobradiça 1

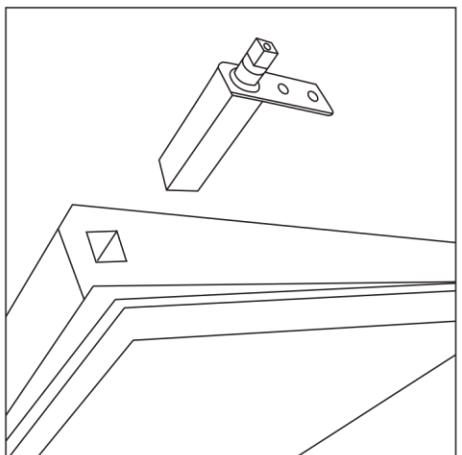
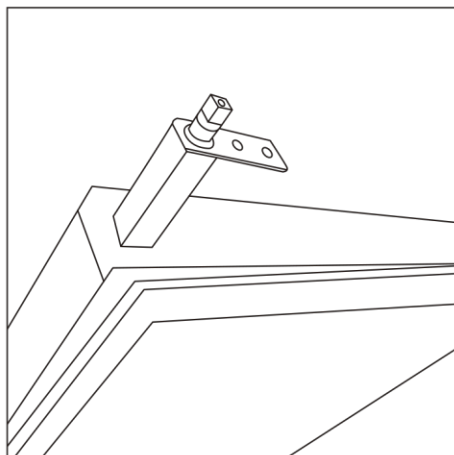
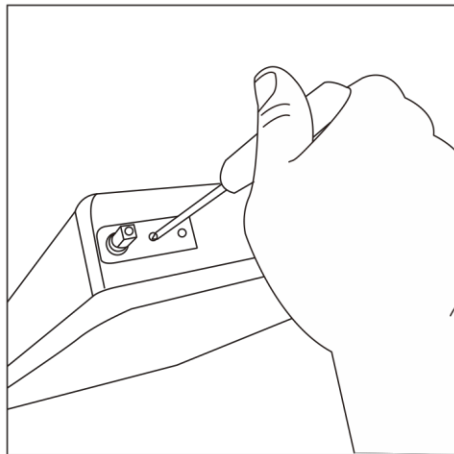


## Mudar a dobradiça da porta

7. Remova a dobradiça 4 (dobradiça inferior da porta)

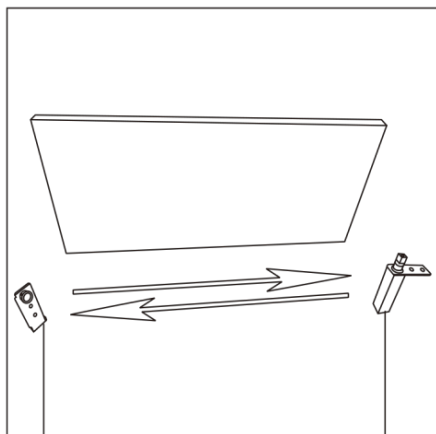


8. Remova a dobradiça 3 (dobradiça superior da porta)



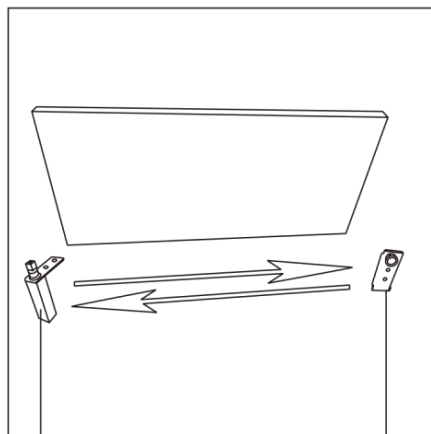
## Mudar a dobradiça da porta

9. Altere as posições das dobradiças 3 e 4



Dobradiça 4

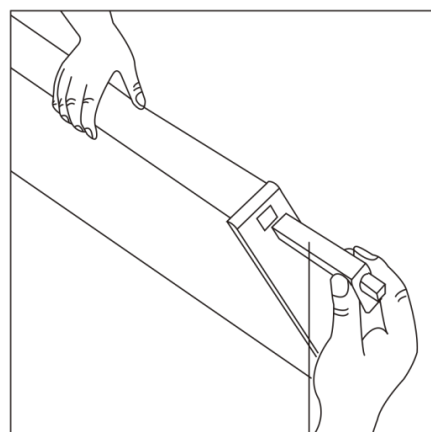
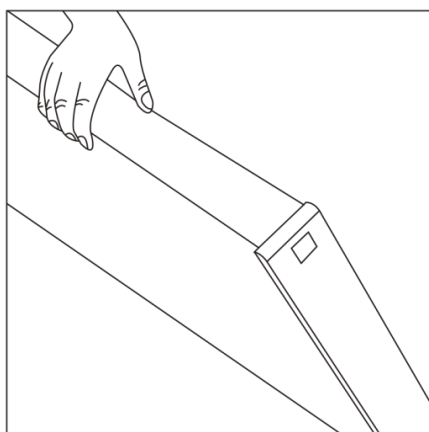
Dobradiça 3



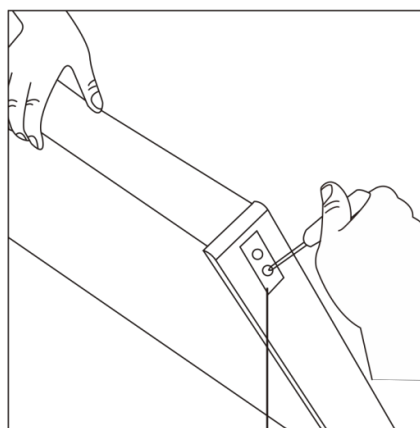
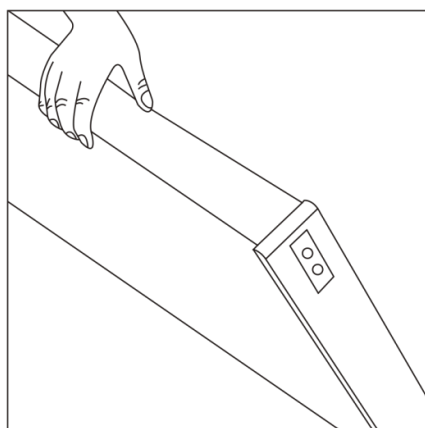
Dobradiça 3

Dobradiça 4

10. Fixe a dobradiça 3 e dobradiça 4 na porta.



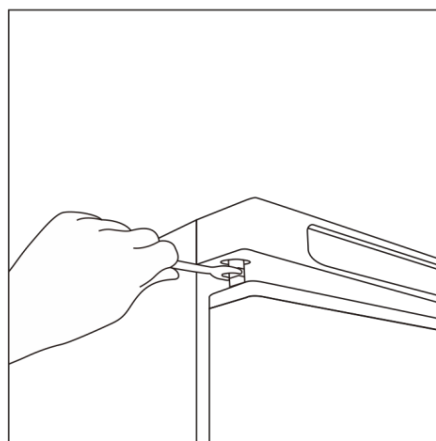
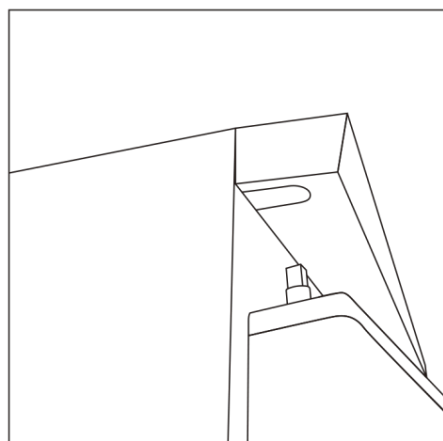
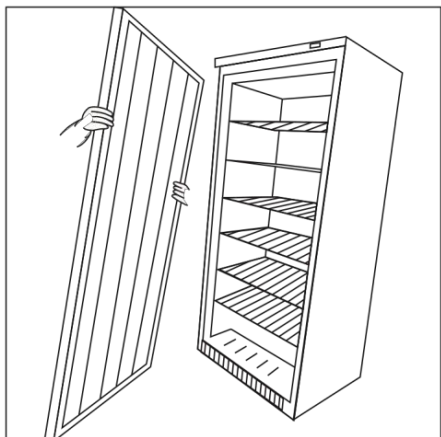
Dobradiça 3



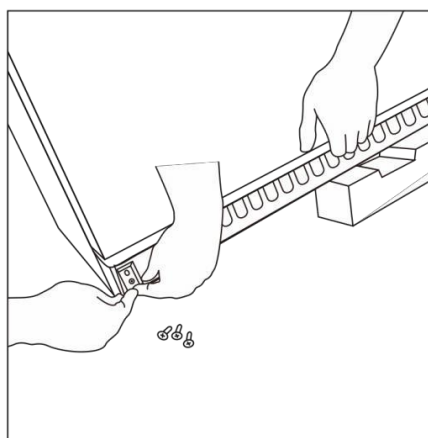
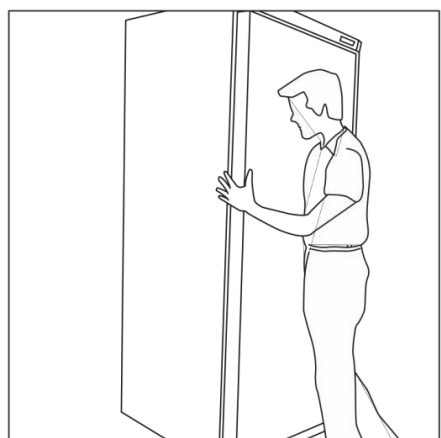
Dobradiça 4

## Mudar a dobradiça da porta

11. Vire a porta ao contrário e ligue à dobradiça superior



12. Tape a dobradiça 2



# Limpeza, cuidado e manutenção



Antes de proceder à limpeza, desligue o aparelho e retire a fi cha da tomada.

O aparelho deve ser mantido limpo ao utilizar uma solução de detergente suave. Não utilize produtos de limpeza que possam ser abrasivos. As peças de plástico não suportam água a ferver (temperatura máxima 85 °C).

Quando é realizada a limpeza frequente, certifi que-se que limpa bem a junta de borracha da porta, para garantir que são removidas quaisquer substâncias de resíduos que podem danifi car a junta.

A saída de ar da ventoinha condensadora, por cima do compressor deve estar livre de folhas, papel, etc., para garantir o normal funcionamento do aparelho.

O condensador na parte traseira do aparelho deve também ser limpo frequentemente - isto é melhor realizado com um aspirador e uma escova.

## Manutenção de rotina

Antes de limpar, desligue o aparelho no interruptor e da corrente eléctrica.

- Limpe a estrutura e o interior do aparelho o mais frequentemente possível.
- Limpe o aparelho com um pano húmido. Certifi que-se que o interruptor, o painel de controlo, o cabo e a fi cha não fi cam molhados.
- Não utilize agentes de limpeza abrasivos. Estes podem deixar resíduos prejudiciais. Utilize apenas água com detergente suave.
- Limpe a junta da porta apenas com água.
- Certifi que-se que não entra água de limpeza nos componentes eléctricos.
- Não deve limpar o aparelho com jacto de água.
- Seque sempre bem, depois de limpar, com um pano suave.
- Tenha cuidado ao limpar a parte traseira do aparelho.
- As reparações devem ser realizadas por um agente ou técnico qualifi cado, caso sejam necessárias.
- Se o aparelho tiver de ser desligado durante um longo período de tempo, desligue no interruptor e a fi cha da tomada. Retire todos os alimentos do aparelho e limpe muito bem. Deixe a porta aberta para evitar a formação de odores e de bafio.

## Manutenção especial

As instruções apresentadas no parágrafo seguintes são apenas para pessoal qualifi cado

### Operações periódicas

- Limpe periodicamente o condensador com as ferramentas adequadas (aspirador ou escovas suaves).
- A limpeza do condensador prolonga a vida útil de funcionamento do aparelho.
- Deixe que o condensador seja limpo por um técnico qualifi cado.
- Verifi que se as ligações eléctricas não estão soltas.
- Certifi que-se que o termóstato e o sensor estão na devida ordem de funcionamento.
- A chave para a caixa eléctrica deve ser mantida fora do alcance de crianças e dos utilizadores.
- Utilize a chave apenas para abrir a fechadura.



## Solução do problema

Se o seu aparelho RC400/RN400/RC600/RN600 tiver algum problema, consulte a seguinte tabela.

Erro	Motivo possível	Medidas
O aparelho não funciona	O aparelho não está ligado	Verifique se o aparelho está devidamente ligado à tomada eléctrica e no interruptor.
	A fi cha e/ou cabo estão danifi cados.	Contacte o nosso agente ou um técnico qualifi cado.
	Fonte de alimentação.	Verifi que a fonte de alimentação.
	Defeito da cablagem interna.	Contacte o nosso agente ou um técnico qualifi cado.
O aparelho liga-se, mas a temperatura é demasiado alta/baixa.	Demasiado gelo no evaporador.	Descongele o aparelho.
	O condensador deve estar bloqueado com poeiras.	Limpe bem o condensador.
	A porta não foi fechada correctamente.	Certifi que-se de que a porta está bem fechada e que os vedantes não estão danifi cados.
	O aparelho está colocado perto de uma fonte de calor ou o fl uxo de ar para o condensador está bloqueado.	Mova o aparelho para um local mais adequado.
	A temperatura ambiente é demasiado alta	Aumente a ventilação ou mova o aparelho para uma posição mais fresca.
	Estão a ser colocados no aparelho alimentos não adequados.	Remova quaisquer alimentos demasiado quentes ou bloqueios à ventoinha.
	O aparelho está demasiado cheio.	Reduza a quantidade de alimentos guardados no aparelho.
O aparelho está a verter água. (Frigorífico)	O aparelho não está devidamente nivelado.	Ajuste o parafuso dos pés para nivelar o aparelho.
	A saída de descarga está bloqueada.	Limpe a saída de descarga.
	O recipiente de água está danifi cado.	Contacte o nosso agente ou um técnico qualifi cado.
O aparelho tem um ruído invulgarmente alto	Desaperte a porca/parafuso.	Verifi que e aperte todas as porcas e parafusos.
	O aparelho não foi instalado numa superfície nivelada ou estável.	Verifi que a posição de instalação e mude, caso seja necessário.

## Eliminar

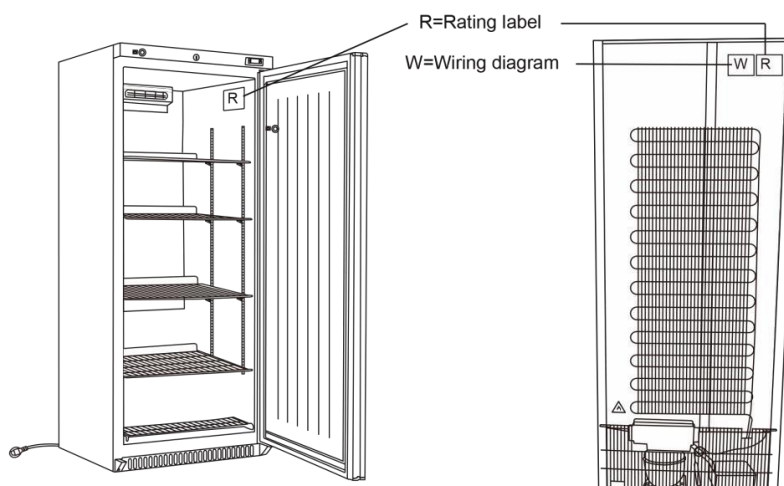
Se o aparelho não estiver mais a ser utilizado, elimine-o de um modo amigo do ambiente. Pode ter de seguir condições especiais para a eliminação. Informe-se junto das devidas autoridades para saber como eliminar devidamente o seu aparelho.

- seu fornecedor
- As autoridades reguladoras (concelho local, ministério do ambiente, etc.)

## Dados técnicos

Modelo	Frigorífico			Congelador		
	200lt	400lt	600lt	200lt	400lt	600lt
Classe Climática	3	3	3	3	3	3
Gás de refrigeração	Consulte as informações indicadas no produto. Vai encontrar as informações na etiqueta de classificação na parte de trás do aparelho, assim como no interior do compartimento de refrigeração.  O diagrama do circuito é apresentado na parte traseira do aparelho, assim como no interior do compartimento de refrigeração					
Carga Refrigerante						
Faixa de temperatura (°C)						
Potência de Entrada						
Frequência Atribuída						
Tensão Atribuída						
Volume Interno						
Peso Líquido						
Peso Bruto						
Dimensões Externas (mm)						
Agente formador de espuma	CP			CP		

PARA DETALHES TÉCNICOSE DIAGRAMA ELÉTRICO CONSULTE A ETIQUETA NA PARTE DE TRÁS DO PRODUTO.



Indicações para a protecção do meio ambiente

Aparelhos eléctricos antigos são materiais que não pertencem ao lixo doméstico! Por isso pedimos para que nos apoie, contribuindo activamente na poupança de recursos e na protecção do ambiente ao entregar este aparelho nos pontos de recolha existentes.

## Dados técnicos



AVISO: RISCO DE INCÊNDIO E DE EXPLOSÃO COM REFRIGERANTE INFLAMÁVEL R600a.



## Garantia

Para este produto é válida a garantia legal em vigor.

As reclamações devem ser comunicadas imediatamente após a constatação da falha.

O direito à garantia extingue-se caso sejam feitas intervenções pelo comprador ou terceiros. Os danos que surjam devido ao tratamento ou operação devido à colocação ou armazenagem errada, ligação ou instalação inadequadas, assim como devido a força maior ou outras influências externas não são abrangidos pela garantia.

Recomendamos que leia atentamente o manual de instruções, pois estão aí contidas indicações importantes.

O direito à garantia deve ser comprovado pelo comprador através da apresentação da factura de compra.

### Indicações:

1. Se o seu produto já não funcionar correctamente, Verifi que primeiro se existem outras causas, p. ex., alimentação eléctrica interrompida ou manuseamento errado.
2. Certifi que-se de que junta sempre ao seu produto defeituoso a seguinte documentação ou que a tem sempre à mão:
  - Factura de compra
  - Designação do aparelho / tipo / marca
  - Descrição do defeito ocorrido com a indicação de falha o mais exacta possível.

Em caso de direito à garantia ou avarias, queira dirigir-se pessoalmente à nossa loja.

GWL 7/08 E/PT

## Traducción de las instrucciones originales

Estimado cliente:

Enhorabuena por la compra de este producto. Como todos nuestros artículos, este producto ha sido desarrollado con las últimas tecnologías y fabricado usando los componentes eléctricos más modernos y fiables.

Antes de poner en marcha el aparato, lea detenidamente las siguientes instrucciones de uso.



### Tabla de contenidos

Instrucc iones im po rtantes de seguridad .....	61
Destinación de uso.....	62
Nombre de las piezas.....	63
Colocación y alineación .....	65
Conexión a laalimentación eléctrica.....	65
Puesta en funcionamiento.....	66
Uso.....	67
Deshielo .....	69
Cambiar la manija de la puerta.....	69
Limpieza y mantenimiento .....	75
Resolución de problemas.....	76
Eliminación.....	77
Dados té cnicos.....	77
Garantía .....	78

## Instrucciones importantes de seguridad

1. Este aparato es apto para el uso comercial o similares (por ejemplo, para utilizarse en tiendas).
2. NUNCA utilizar el aparato al aire libre
3. No realizar NUNCA trabajos de mantenimiento en este aparato.
4. NO utilizar el aparato si presenta daños. En caso de dudas contactar con el distribuidor.
5. Bajo ningún concepto utilizar otros aparatos eléctricos en el interior del aparato (por ej. calentadores, heladeras, a no ser que estén permitidos por el fabricante).
6. Asegurarse que las salidas de ventilación no queden bloqueadas por la colocación o instalación del aparato.
7. No intentar manipular bajo ningún concepto el dispositivo de deshielo (a no ser que se haya autorizado por el fabricante).
8. No dañar el circuito de refrigeración del aparato.
9. NO apoyarse en el aparato, en la puerta o en los soportes.
10. No dejar que aceites o grasa entren en contacto con los componentes de plástico o con la puerta. Limpiar inmediatamente si esto ocurre.
11. NO colocar combustibles, artículos inflamables o explosivos, ácidos corrosivos o alcalinos u otros líquidos en el aparato.
12. No colocar medicamentos en el aparato.
13. Para limpiar el aparato, NO utilizar limpiadores de presión.
14. NO permitir a los niños de jugar con los embalajes, y destruir las bolsas de plástico de manera correcta.
15. Las botellas con elevado porcentaje de alcohol deben guardarse verticalmente en el refrigerador.
16. El aparato debe moverse, desplazarse o utilizarse siempre en posición vertical. Para desplazarlo, moverlo siempre desde la base.
17. Antes de limpiar, siempre desconectar el aparato de la toma de corriente.
18. Si el cable está dañado, debe sustituirse por el fabricante, su distribuidor de confianza u otra persona cualificada, para evitar accidentes.
19. Este aparato no puede utilizarse por personas con capacidades físicas, sensoriales mentales disminuidas o con experiencias o conocimientos insuficientes, ni por menores de edad, a no ser que haya supervisión de un adulto o una persona que se haga responsable de su seguridad.
20. Los niños deben ser supervisados para garantizar que no jueguen con el aparato.
21. Para uso en interiores. No apto en zonas en las cuales se podría generar chorros de agua. No limpiar con chorros de agua.
22. Para garantizar un uso más seguro, el aparato deberá montarse siguiendo las indicaciones descritas en este manual.
23. Las reparaciones y los trabajos de mantenimiento deben llevarse a cabo únicamente por el servicio de atención al cliente o un técnico cualificado.

## **Instrucciones importantes de seguridad**

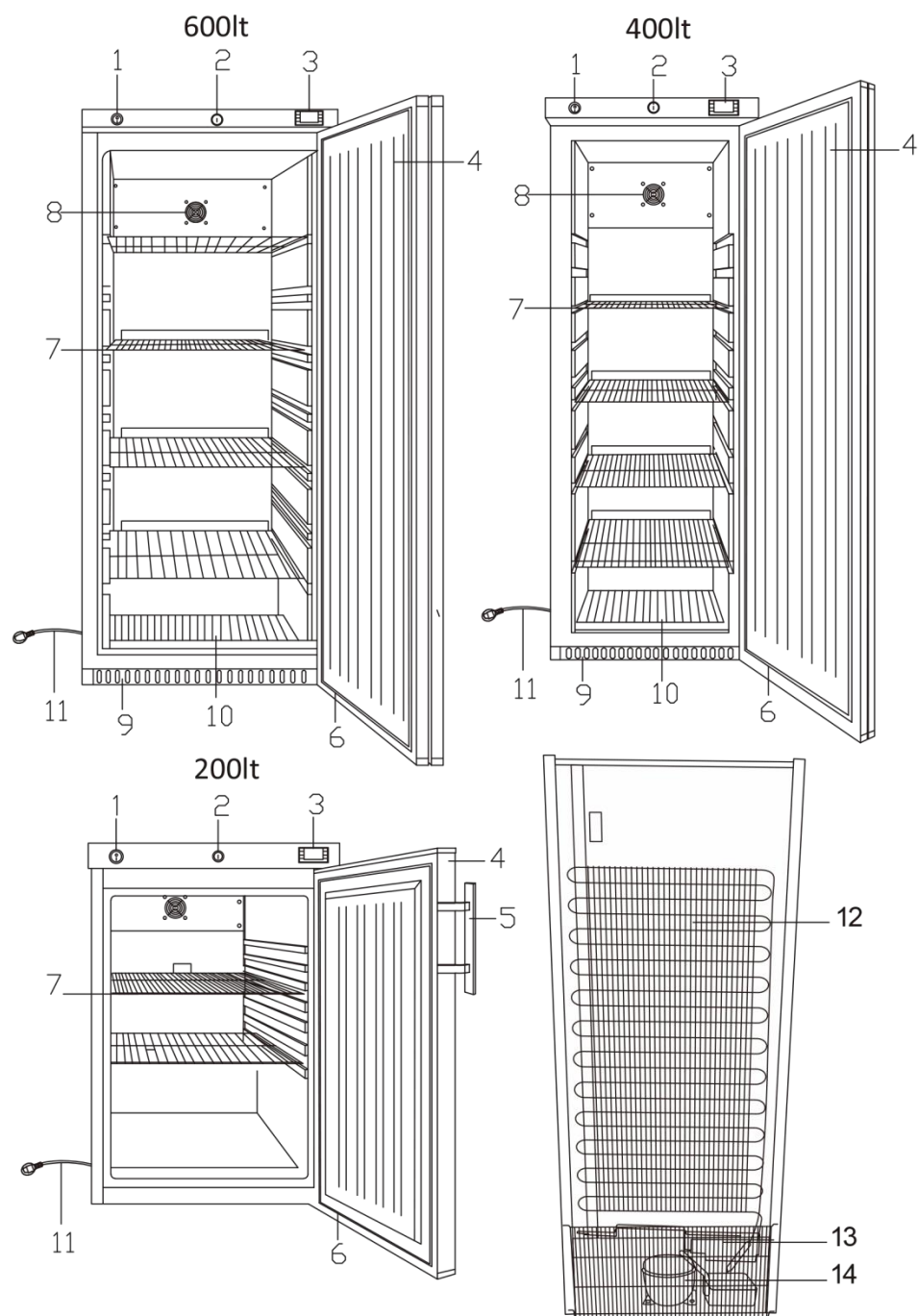
24. La capacidad máxima de cada estante es de 25 Kg.
25. El acceso a la nevera/congeladora deberá mantenerse fuera del alcance de los niños.

## **Destinación de uso**

Este aparato está destinado únicamente a la conservación de alimentos y bebidas.

# Nombre de las piezas

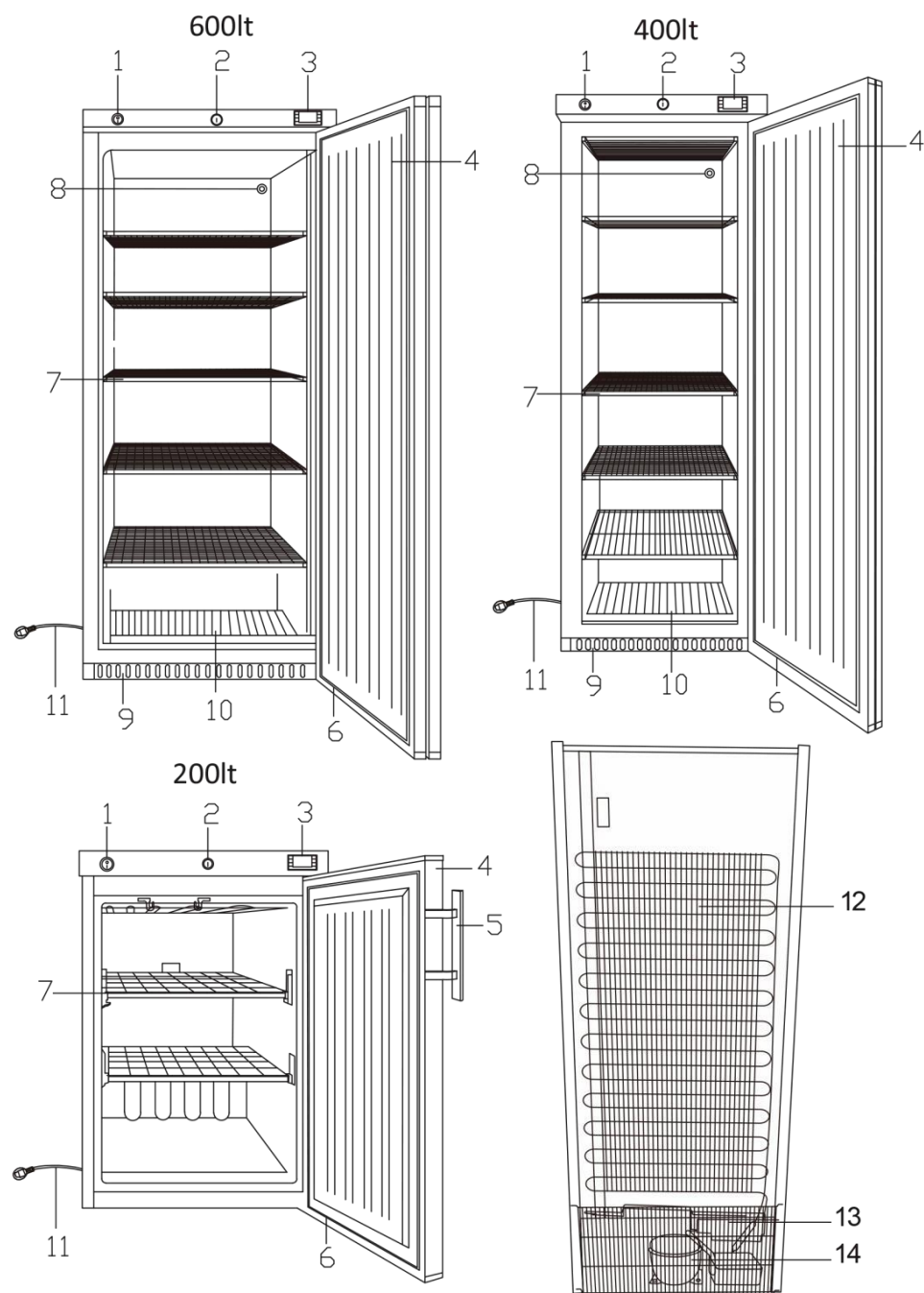
Refrigerador



- |                                     |                               |
|-------------------------------------|-------------------------------|
| 1. Interruptor principal (opcional) | 8. Ventilador                 |
| 2. Cierre                           | 9. Panel inferior             |
| 3. Controlador                      | 10. Estantería del fondo      |
| 4. Puerta                           | 11. Enchufe                   |
| 5. Manija                           | 12. Condensador               |
| 6. Borne                            | 13. Ventilador de condensador |
| 7. Estante                          | 14. Compresor                 |

# Nombre de las piezas

Congelador



- 1. Interruptor principal (opcional)
- 2. Cierre
- 3. Controlador
- 4. Puerta
- 5. Manija
- 6. Borne
- 7. Estante

- 8. Válvula de presión
- 9. Panel inferior
- 10. Estantería del fondo
- 11. Enchufe
- 12. Condensador
- 13. Ventilador de condensador
- 14. Compresor



## Colocación y alineación

El aparato deberá colocarse en un lugar seco y bien aireado. Para garantizar una capacidad funcional perfecta, el aparato no debe exponerse a luz solar directa o cerca de fuentes de calor. Por favor, asegurarse que la temperatura ambiente quede entre 16 °C y 35 °C.

Refrigerador, Congelador: Al colocar el aparato en un ambiente con elevada humedad del aire, podría ser necesario posicionar un dispositivo extra de evaporación cerca del compresor.

El aparato puede colocarse libremente cerca de una pared.

- Desembalar el aparato. Comprobar que todos los plásticos protectores y las protecciones se eliminen por completo de todas las superficies. Para evitar accidentes o daños, el aparato debe desembalarse y montarse por dos personas.
- Alinear el aparato ajustando los pies. Para reducir los ruidos y las vibraciones, colocar el aparato en una superficie estable.
- Comprobar que el voltaje y la tensión utilizados sean compatibles con las características puestas en la etiqueta. El enchufe debe encontrarse a mano tras la instalación.
- Conectar y desconectar correctamente el enchufe. Al insertar, asegurarse que el enchufe está bien posicionado. Al desconectar, mantener la toma de corriente con una mano y separar el enchufe con la otra. No tirar nunca del cable.
- En caso de no utilizar durante mucho tiempo, desenchufar y apagar completamente el aparato. Limpie el aparato y deje la puerta abierta para prevenir el mal olor.
- ¡Importante! Asegurarse que el aparato esté correctamente conectado con la puesta a tierra. El cable del aparato y el enchufe son aptos para puesta a tierra. Conecte el enchufe a una toma de corriente equipada con puesta a tierra. En caso de no entender bien las instrucciones de puesta a tierra, llamar al servicio técnico o personal cualificado. En caso de dudas sobre la correcta puesta a tierra, dejar comprobar la instalación eléctrica por un técnico cualificado.
- Si el cable no alcanza la toma de corriente más cercana, cambiar la colocación del aparato o preguntar a un técnico de instalar una nueva toma de corriente.
- En caso de corte de corriente, esperar al menos 3 minutos antes de reencender el aparato, para evitar daños en el compresor.

**Nota:** Si el aparato no se ha colocado en posición correcta o se ha desplazado, dejarlo en la misma posición al menos 12 horas antes de ponerlo en marcha.

**Nota:** Antes de utilizar el aparato por primera vez, limpiar los estantes y el interior con agua jabonosa.

## Conexión a la alimentación eléctrica

Este aparato está pensado para conexión a corriente alterna. El voltaje de conexión (V) y la frecuencia (Hz) se indican en la etiqueta en su interior. La conexión a la red eléctrica requiere un enchufe de tres puntas. Se deberá respetar toda normativa de puesta a tierra local. El enchufe y la toma de corriente en la pared deben disponer de puesta a tierra. En caso de dudas sobre la puesta a tierra, contactar con su electricista o técnico cualificado.

¡Atención! El aparato debe tener una buena toma de tierra.

## Conexión a la alimentación eléctrica

El cable de red elástico de este aparato está dotado de enchufe de tres puntas. En caso de utilizar una conexión tipo B.B.1363 (13 Ampere) se deberá coordinar con un dispositivo de seguridad de 13 Ampere o un enchufe de tipo Shuko. La placa de metal en el medio de los dos polos, en el enchufe, sirve para las conexiones en Francia o Bélgica, que llevan este tipo de puesta a tierra. Otros países europeos utilizan un enchufe con dos placas metálicas en los laterales del enchufe. Esto asegura la posibilidad de utilizar una toma Shuko en la mayoría de países en territorio europeo.

### Importante:

El cable de red principal lleva los colores según este código:

Verde - amarillo: Puesta a tierra

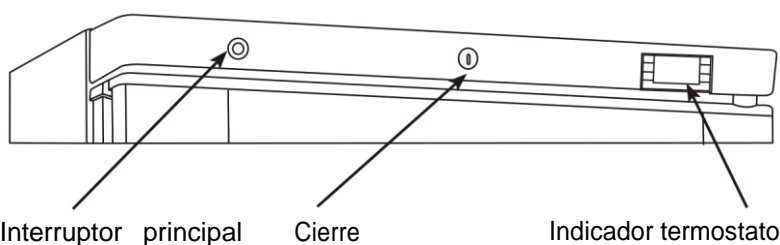
Azul: neutral

marrón: fase

Los colores en el cable pueden no corresponder con las marcas coloradas que identifican los terminales en el enchufe:

El cable verde-amarillo debe conectarse con el símbolo „E“ o „Tierra“ o que es verde - amarillo. El cable azul debe conectarse con el polo „N“ o de color oscuro. El cable marrón con el polo indicado con „L“.

## Puesta en funcionamiento



Interruptor principal  
(opcional)

Cierre

Indicador termostato

Conectar el aparato a la toma de corriente.

El indicador muestra la temperatura actual.



Mantenimiento:

Asegurarse que el aparato esté desenchufado antes de operar en las partes eléctricas.

# Uso

## Conservación de alimentos

Para obtener mejores resultados, respete las instrucciones siguientes:

- Llenar el aparato de alimentos sólo cuando el aparato ha alcanzado la temperatura correcta.
- Siempre cerrar la puerta cuando el aparato no se esté utilizando pero está encendido.
- No colocar alimentos descubiertos o líquidos calientes en el aparato.
- Cubrir o envolver correctamente los alimentos.
- No bloquear los ventiladores en el interior del aparato. (Refrigerador)
- Evitar mantener la puerta abierta durante mucho tiempo.
- La capacidad máxima de cada estante es de 25 Kg.
- Los alimentos deben colocarse en un contenedor antes de posicionarlos en el estante. No colocar alimentos sueltos sinr .envolve

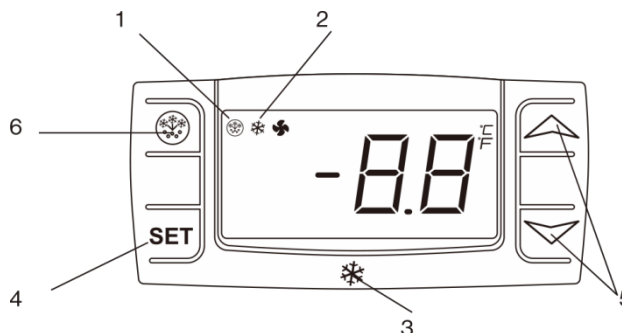
## Encender el aparato

- Cerrar la puerta del aparato.
- El interruptor principal debe encontrarse en la posición (O). Conecte el enchufe a una toma de corriente adecuada.
- Llevar el interruptor en la posición (I). Se mostrará la temperatura actual en el interior del aparato.
- El ❄ en pantalla parpadeará durante 3 minutos para indicar el tiempo entre el motor compresor que se ha bloqueado y luego reencendido.

## Confi guración de la temperatura y controles

Pantalla del termostato y panel de control

1. Indicador luminoso de deshielo
2. Indicador luminoso de funcionamiento del compresor
3. Termostato digitales
4. Teclas de programación (solo para mantenimiento)
5. Teclas de modificación de temperatura
6. Deshielo manual



## Como visualizar la temperatura de consigna

- Presionar un momento el botón SET para visualizar el punto de temperatura.
- Presionar un momento el botón SET de nuevo y esperar unos 5 segundos para volver a la visualización normal.

## Como cambiar la temperatura de consigna

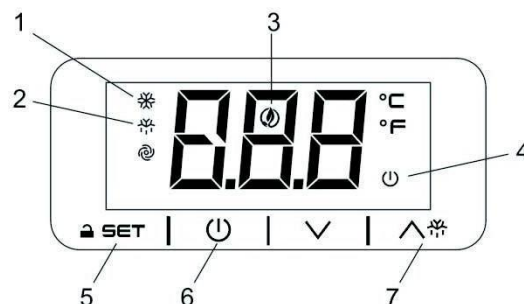
- Presionar el botón SET durante más de 2 segundos para cambiar la temperatura de consigna.
- Se visualizará el valor de la temperatura y la „°C“ empezará a parpadear.
- Para modificar el valor de temperatura pulsar las flechas „^ ” (arriba) o „V ” (abajo) antes de 10 segundos.
- Para guardar el nuevo valor, pulsar o bien la tecla SET o esperar 10 segundos

# Uso

## Ajuste e control de temperatura(EVCO)

Panel frontal del termostato

1. Luz de compresor activo
2. Luz deshielo activo
3. Luz ahorro energético activo
4. Luz de stand-by
5. Tecla de programación (mantenimiento solamente)
6. Equipo ON (encendido)/Stand-by (mantener presionado)
7. Deshielo manual(mantener presionado)



Desbloquear el teclado (mensaje »Loc«)

- Presionando cualquier botón durante más de 2," aparecerá el mensaje «UnL» y se desbloqueará el teclado.

**Nota:** por motivos de seguridad, el teclado se bloquea automáticamente después de 30" de inactividad de las teclas. Para ejecutar cualquier operación, primero desbloquear el teclado.

Visualizar y modificar el set point

- Presionar brevemente la tecla **SET**, se visualizará el set point y empezará a parpadear
- Para modificar el valor, presionar la flecha  $\wedge$  o  $\vee$  dentro de 20"
- Para memorizar el nuevo set point, presionar nuevamente la tecla **SET** o aguardar 20".

### Defrost automático

**El aparato llevará a cabo un deshielo automático.**

**Nota:** el ciclo empieza desde el encendido inicial del equipo

Para efectuar el deshielo manual:

- Mantener presionada la tecla  $\wedge$  por 3".
- El proceso de deshielo empieza y el indicador LED se enciende.

**Nota:** empezar un defrost manual significa también resetar el temporizador de defrost automático. El próximo defrost automático empezará después que el defrost automático haya terminado.

### Cambia el estado del equipo entre ON (encendido)/STAND-BY

- Mantener presionada la tecla durante 4"; el equipo pasará desde el estado ON (encendido) para STAND-BY y vice-versa. Al mantener presionada la tecla, el LED estará parpadeando para visualizar el cambio de estado.

# Deshielo

## Refrigerador:

Defrost automático con evaporación automática del agua.

Defrost automático

El aparato llevará a cabo un deshielo automático .

**Nota:** el proceso empieza desde el momento en que el aparato se ha encendido.

Para el deshielo manual proceder como a continuación:

- Mantener la tecla DEFROST  presionada durante 5 segundos.
- El proceso de deshielo empieza y el indicador LED se enciende.

**Nota:** empezar un defrost manual significa también resetar el temporizador de defrost automático. El próximo defrost automático empezará después que el defrost automático haya terminado.

## Congelador:

Defrost manual desconectando y apagando el aparato desde la toma de corriente principal. Por favor, vaciar antes la congelador y esperar a que el hielo se haya deshecho. El agua de condensación debe recogerse.



No utilizar objetos puntiagudos o contundentes para no dañar el aparato.

# Cambiar la manija de la puerta

La puerta puede colocarse para abertura por la derecha o por la izquierda.

Por favor, seguir estas instrucciones:

1. Apagar y desconectar de la toma de corriente principal.



Bisagra 3 (ángulo superior de la puerta)

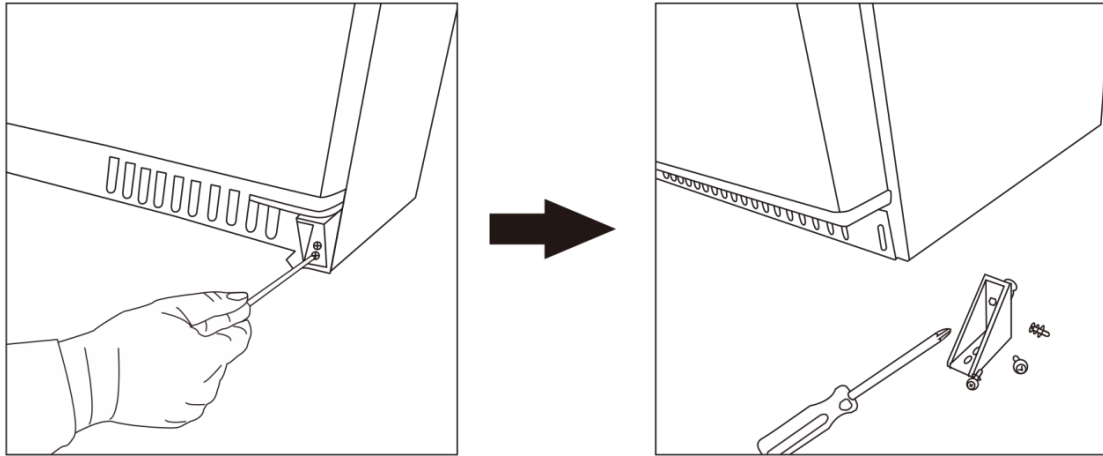
Bisagra 4 (ángulo inferior de la puerta)

Bisagra 1\* (vea la nota) Bisagra 2

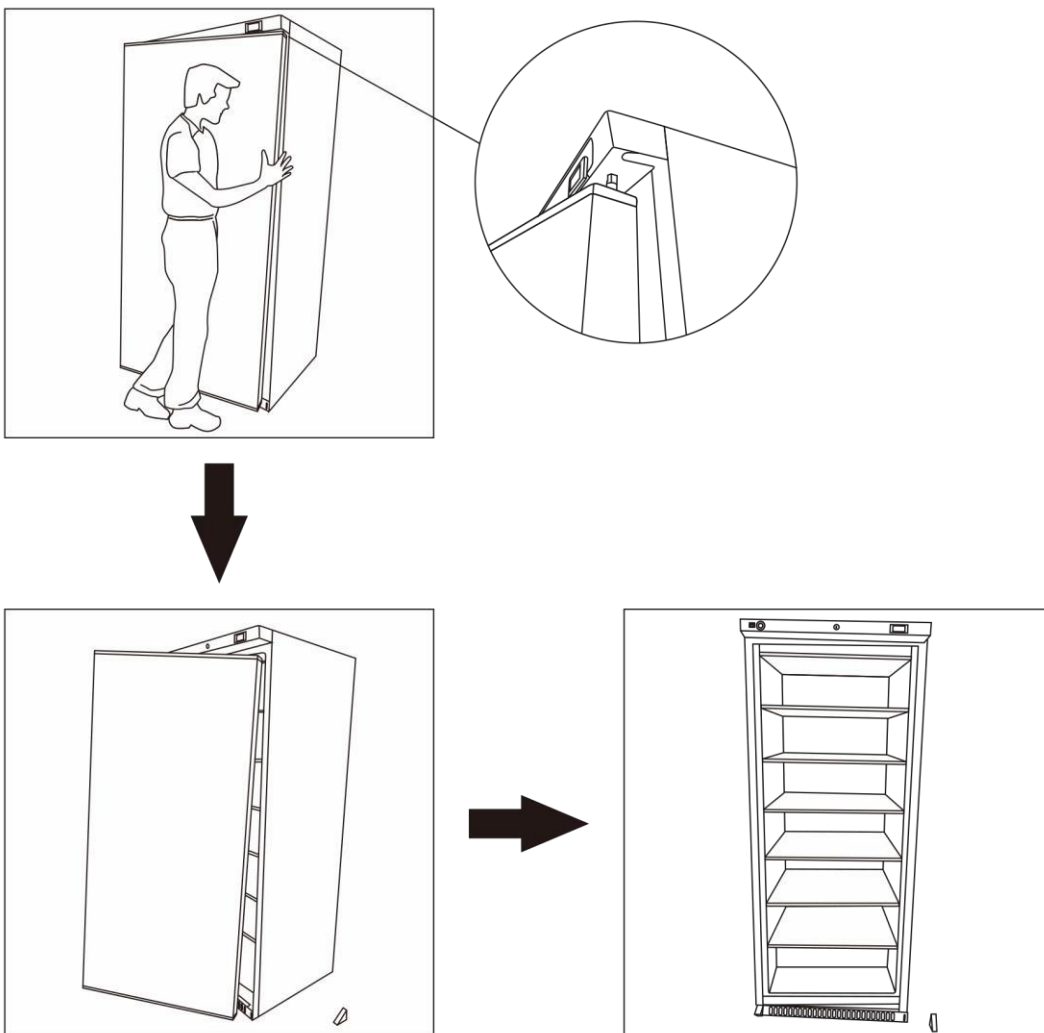
## Cambiar la manija de la puerta

Nota: Tiene un pequeño rodillo que ayuda a deslizar la puerta al cerrarla y también funciona como soporte de la puerta.

### 2. Retirar la bisagra 2

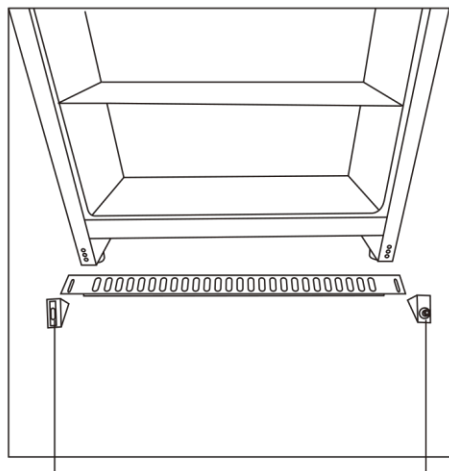
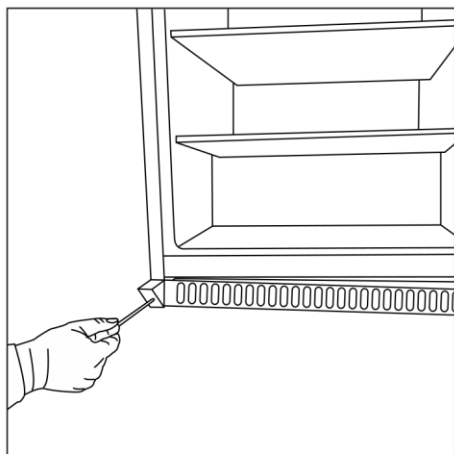


### 3. Retirar la puerta



# Cambiar la manija de la puerta

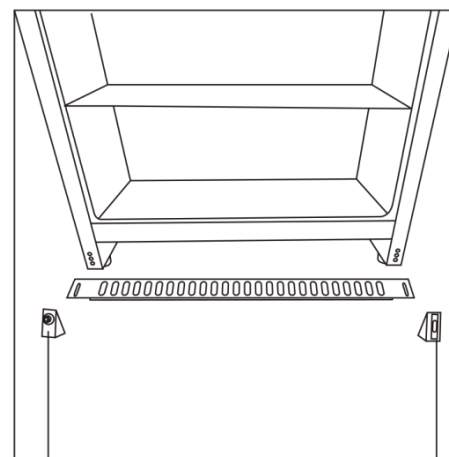
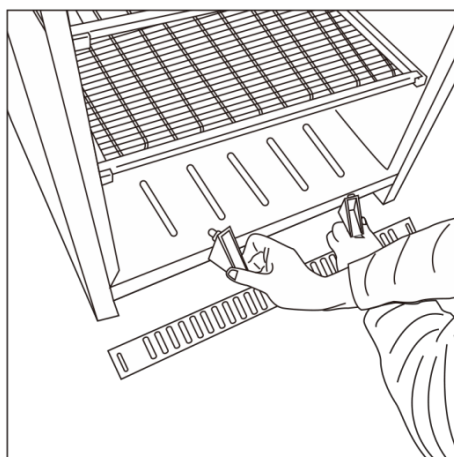
## 4. Retirar la bisagra 1



Bisagra 1

Bisagra 2

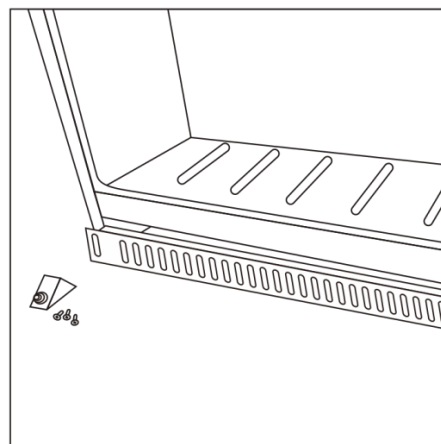
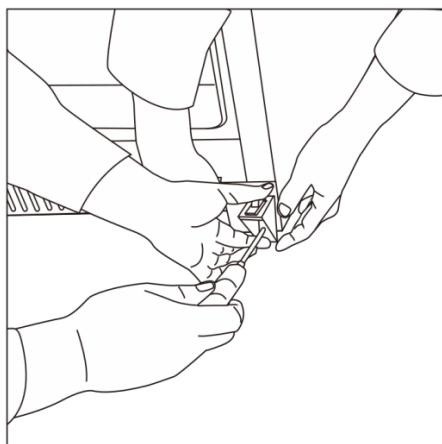
## 5. Modificar la posición de las bisagras 1 y 2



Bisagra 2

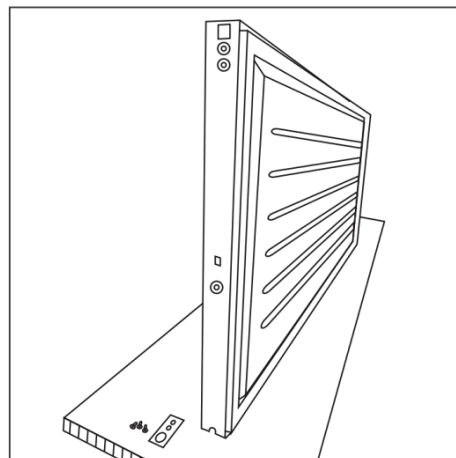
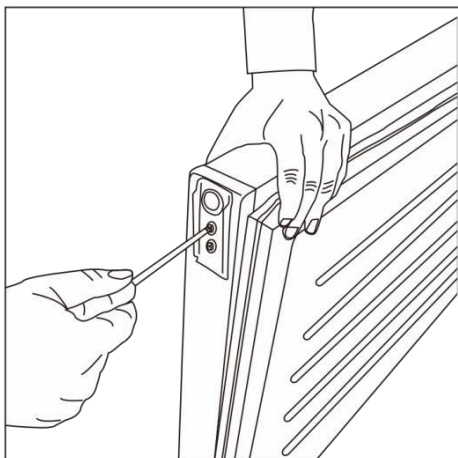
Bisagra 1

## 6. Asegurar la bisagra 1

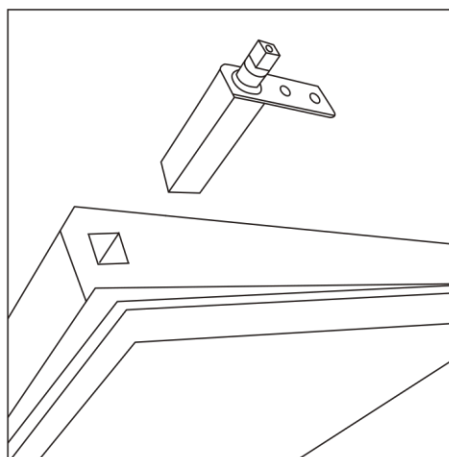
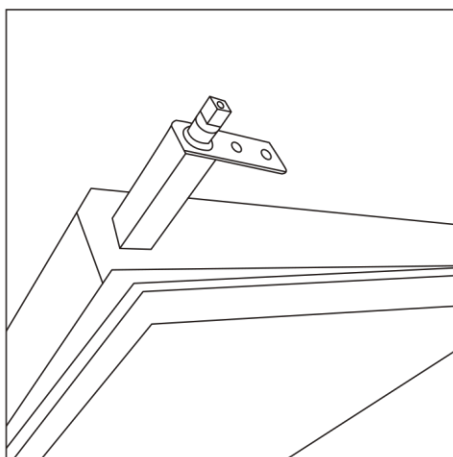
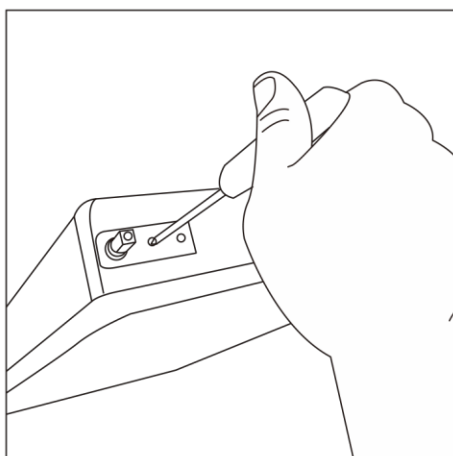


# Cambiar la manija de la puerta

7. Retirar la bisagra 4 (ángulo inferior de la puerta)



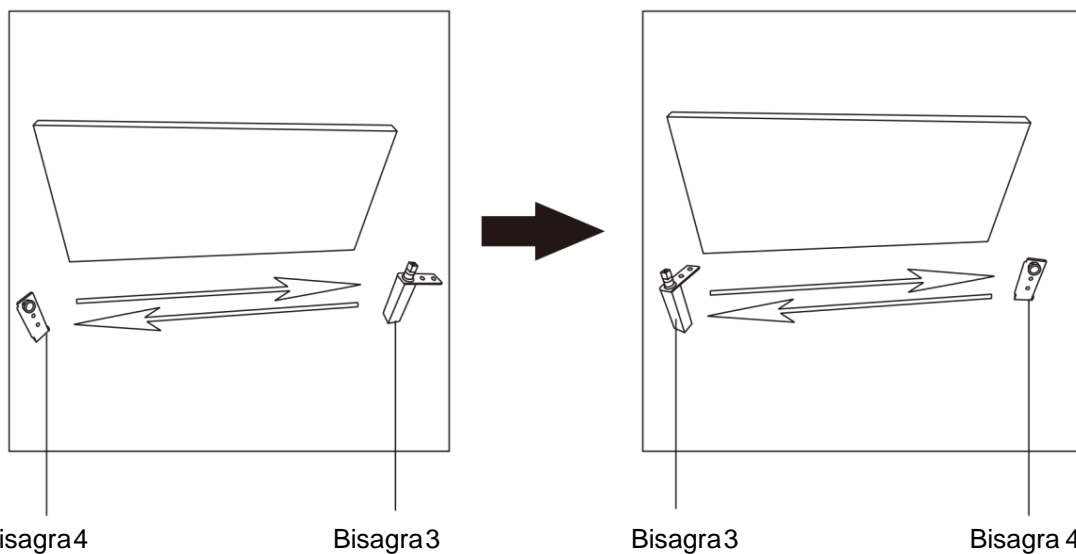
8. Retirar la bisagra 3 (ángulo superior de la puerta)



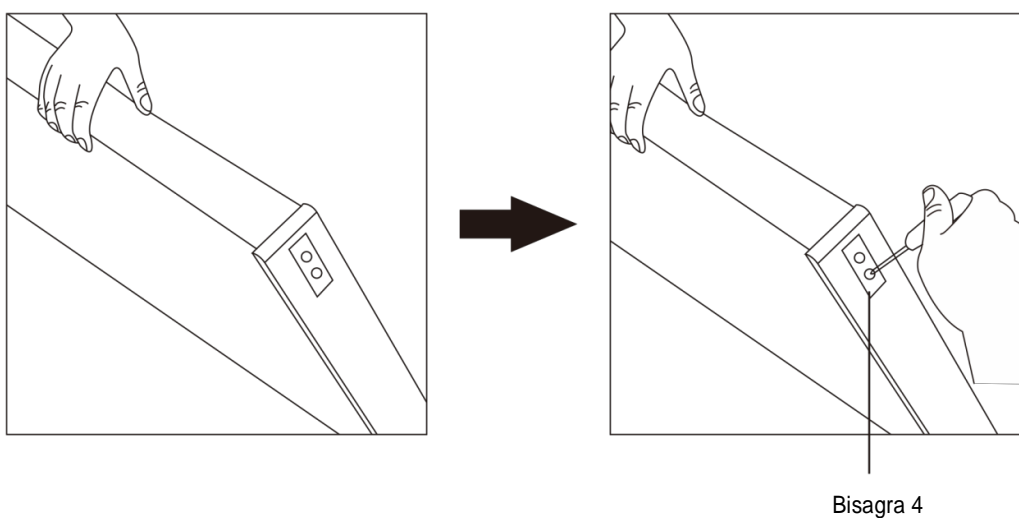
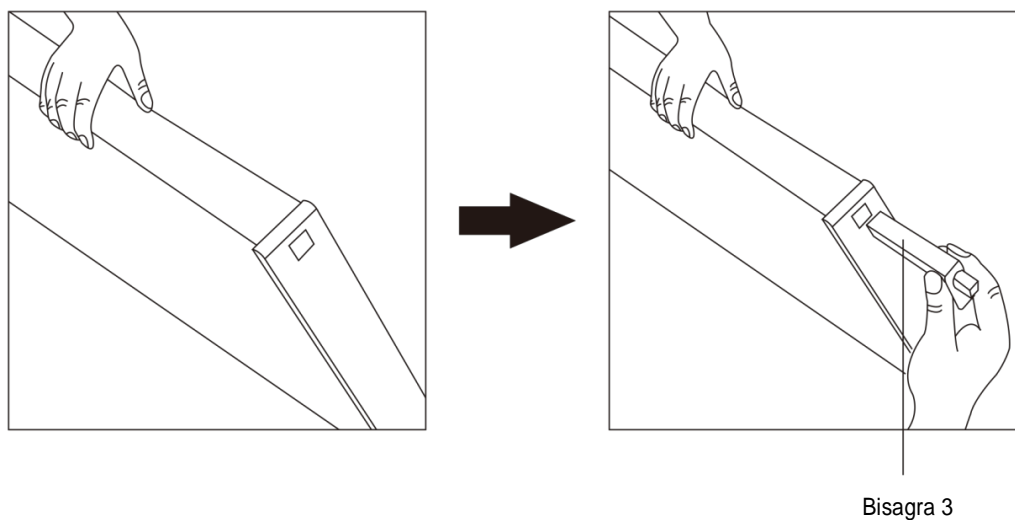


# Cambiar la manija de la puerta

9. Modificar la posición de las bisagras 3 y 4

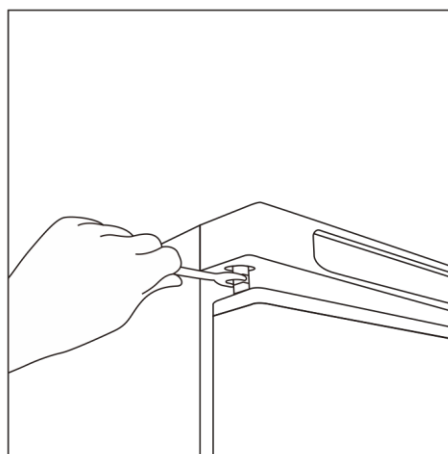
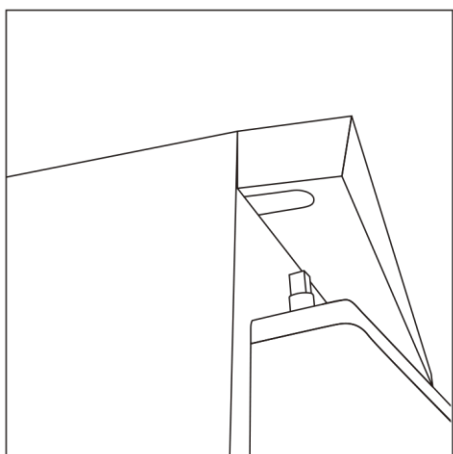
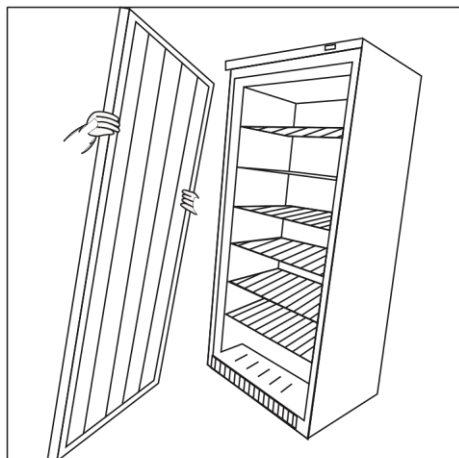


10. Fijar la manija 3 y manija 4 en la puerta.

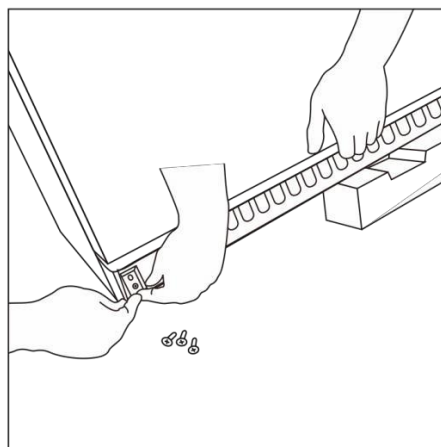
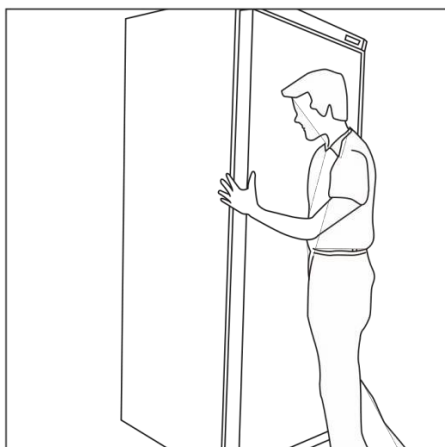


# Cambiar la manija de la puerta

11. Girar la puerta y colocar las bisagras superiores



12. Asegurar la bisagra 2



## Limpeza y mantenimiento



Antes de limpiar, apagar el aparato y desconectarlo.

Limpiar el aparato con una solución jabonosa suave. No utilizar líquidos de limpieza que pueden dañar la superficie. Las partes de plástico no resisten al agua muy caliente (temperatura máxima +85 °C).

En la limpieza rutinaria también limpiar las juntas en la puerta, para eliminar sustancias que pueden dañar la junta.

La salida del aire del compresor debe quedar libre de hojas, papeles o similar. para garantizar su funcionamiento.

El condensador en la parte posterior del aparato debe limpiarse periódicamente - idealmente con escoba o aspirador.

### Mantenimiento rutinario

Antes de desenchufar, apagar siempre el aparato y desenchufarlo de la toma de corriente.

- Limpiar el interior y el exterior del aparato cuantas más veces sea posible.
- Limpiar el aparato con un paño ligeramente húmedo. Asegurarse no mojar el interruptor, el cuadro de mandos, el cable y el enchufe.
- No utilizar limpiadores abrasivos o agresivos. Estos pueden dañar el aparato. Utilizar únicamente limpiadores suaves.
- Limpiar la junta de la puerta únicamente con agua.
- Asegurarse que el agua no entre nunca en contacto con los componentes eléctricos.
- Para limpiar el aparato, NO utilizar limpiadores de presión.
- Tras la limpieza, secar con un paño suave.
- Limpiar cuidadosamente la parte posterior del aparato.
- Las reparaciones deben llevarse a cabo por el personal cualificado o el servicio de atención al cliente.
- Al no utilizar el aparato durante mucho tiempo, llevar el interruptor en la posición OFF y desconectarlo de la toma de corriente. Vaciar todos los estantes y limpiar el aparato a fondo. Dejar la puerta abierta para evitar olores y formación de moho.

### Mantenimiento especial

Las siguientes instrucciones son para el personal cualificado

#### Procedimiento periódico

- Limpiar periódicamente el condensador con un medio adecuado (aspiradora o cepillo suave).
- La limpieza del condensador alarga la vida útil del aparato.
- Dejar limpiar el condensador por un técnico cualificado.
- Las conexiones eléctricas no deben estar cerradas con llave.
- Comprobar que el termostato y el sensor funcionan correctamente.
- La llave del aparato debe mantenerse fuera del alcance de los niños.
- Abrir la cerradura únicamente con la llave.

## Resolución de problemas

Si su aparato RC400, RN400, RC600, RN600 genera un problema, chequear la tabla a continuación.

Problemas	Causa posible	Medidas
El aparato no funciona.	El aparato está apagado.	Asegurarse que el aparato esté conectado a la red eléctrica y encendido.
	El enchufe o el cable están dañados.	Contactar con nuestros agentes o técnicos cualificados.
	Suministro de energía.	Testar el suministro de energía
	Defecto interno del cableado.	Contactar con nuestros agentes o técnicos cualificados.
El aparato se enciende pero la temperatura es demasiado elevada o baja.	Hay demasiado aire en el evaporador	Proceder al descongelar el aparato.
	El condensador se bloquea por el polvo.	Limpiar el condensador.
	La puerta no está bien cerrada	Comprobar que la puerta esté cerrada y que la junta no esté dañada
	El aparato se encuentra cerca de una fuente de calor o el circuito de aireación hacia el condensador está dañado.	Desplazar el aparato a una posición más adecuada.
	La temperatura ambiente es demasiado elevada.	Aumentar la aireación y colocar el aparato en una posición más fría.
	Alimentos inadecuados se han colocado en el aparato.	Eliminar los alimentos calientes o eventuales bloqueos de los ventiladores.
	El aparato está sobrecargado.	Reducir la cantidad de los alimentos en el aparato.
El aparato pierde agua. (Refrigerador)	El aparato no está nivelado de manera adecuada.	Ajustar los pies del aparato de manera que esté perfectamente estable.
	El circuito de descarga está bloqueado.	Limpiar el circuito de descarga.
	El contenedor del agua está dañado..	Contactar con nuestros agentes o técnicos cualificados.
El aparato genera ruidos excesivos.	Desaflojar tuerca/tornillo.	Asegurar y apretar todas las tuercas y los tornillos.
	El aparato se ha instalado en una superficie poco estable.	Verificar la posición de la instalación y modificarla si necesario.

## Eliminación

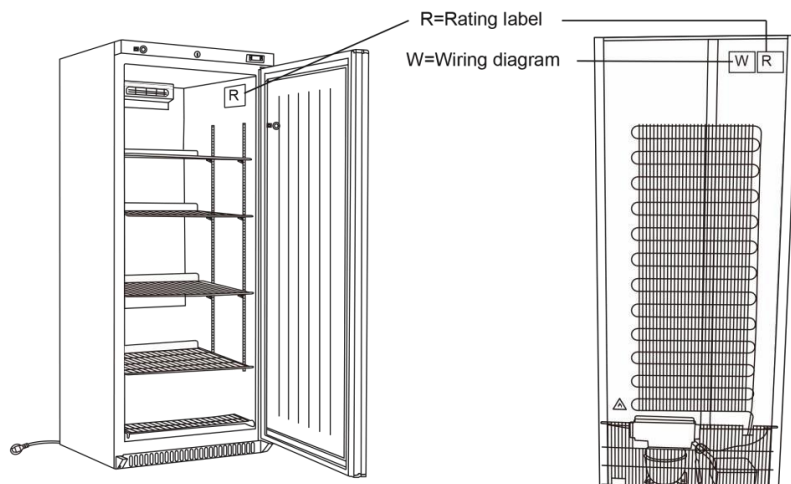
En caso de no utilizar el aparato, eliminarlo de forma correcta. Probablemente se deberán respetar normas precisas. Informarse sobre la manera correcta de eliminar un refrigerador.

- con el distribuidor
- con los vecinos (su administrador de finca, el ministerio del ambiente, etc.)

## Dados técnicos

Modelo	Refrigerador			Congelador		
	200lt	400lt	600lt	200lt	400lt	600lt
Clase climática	3	3	3	3	3	3
Líquido refrigerante	Por favor refiérase a la información indicada en el producto. Se encontraran las informaciones en la etiqueta en la parte posterior de la unidad, así como el interior del compartimiento de refrigeración. El diagrama electrico se muestra en la parte posterior de la unidad, así como en el interior del compartimiento de refrigeración.					
Carga de refrigerante						
Rango de temperatura (°C)						
Línea de entrada						
Frecuencia nominal						
Tensión de alimentación						
Volumen Neto (litros)						
Peso neto (kg)						
Peso bruto (kg)						
Dimensiones (AxLxL) (mm)						
Espumante	CP			CP		

PARA LAS CARACTERÍSTICAS TÉCNICAS Y DIAGRAMA ELÉCTRICO VEN LA ETIQUETA EN LA PARTE POSTERIOR DEL PRODUCTO.



**Advertencia para la protección del medio ambiente**



¡Los aparatos eléctricos desechables son materiales que no son parte de la basura doméstica! Por ello pedimos para que nos ayude a contribuir activamente en el ahorro de recursos y en la protección del medio ambiente entregando este aparato en los puntos de recogida existentes.

## Dados técnicos



Atención: PELIGRO DE INCENDIO O EXPLOSIÓN CON EL REFRIGERANTE  
INFLAMABLE R600a.



## Garantía

Para este producto rige la garantía legal.

Las reclamaciones se deberán efectuar inmediatamente después de constatadas.

El derecho a reclamación se extingue si el comprador o un tercero manipulan el aparato. Los daños resultantes de una manipulación o utilización inapropiada, por colocación o almacenamiento erróneo, por conexión o instalación inadecuada, o por causa de fuerza mayor u otras influencias externas, no quedan incluidos en la garantía. Recomendamos leer atentamente el Manual del Usuario, pues el mismo contiene importantes indicaciones.

El comprador deberá justificar su derecho a garantía presentando la factura de compra.

### Advertencias:

1. Si su producto ya no funciona correctamente, entonces verifique primeramente todos los motivos posibles, como por ejemplo la interrupción de corriente o manipulación errónea.
2. Procure que su producto defectuoso vaya acompañado de los siguientes documentos correspondientes a cada caso:
  - Factura de compra (imprescindible para ejecutar garantía)
  - Designación / tipo / marca del aparato
  - Descripción de la avería que haya tenido lugar, con indicación lo más detallada posible.

En caso de reclamación por garantía o averías, por favor diríjase personalmente a su distribuidor.

GWL 7/08 E/ES

## Traduzione delle istruzioni originali

Egregio cliente

Complimenti per l'acquisto di questo prodotto. Come tutti i prodotti, questo apparecchio è stato sviluppato secondo le tecnologie più recenti ed è stato prodotto utilizzando componenti elettrici affidabili e moderni.

Prima di mettere in funzione l'apparecchio leggere attentamente il presente libretto di istruzioni.

Molte grazie!



### Indice

Importanti indicazioni di sicurezza.....	80
Destinazione d'uso.....	81
Descrizione articolo.....	82
Posizionamento e installazione.....	84
Allacciamento elettrico.....	85
Messa in funzione.....	85
Uso.....	86
Sbrinamento.....	88
Cambiare la cerniera dello sportello.....	88
Pulizia, cura e manutenzione.....	94
Risoluzione guasti.....	95
Smaltimento.....	96
Dati tecnici.....	96
Garanzia.....	97

## Importanti indicazioni di sicurezza

1. Questo apparecchio è concepito per l'uso commerciale o usi simili (ad es. da parte di personale esperto in negozi).
2. NON usare l'apparecchio all'aperto
3. Per evitare situazioni pericolose e far eseguire i lavori di manutenzione solo da personale debitamente qualificato.
4. Non utilizzare l'apparecchio se la spina, il cavo di alimentazione o l'apparecchio stesso sono danneggiati.
5. Non usare altri apparecchi elettrici all'interno di questo apparecchio (ad es. riscaldatori, macchine per il ghiaccio (a meno che non sia espressamente consentito dal produttore)
6. Fare attenzione che le aperture di ventilazione presenti non siano bloccate.
7. Non tentare di accelerare il processo di sbrinamento con l'ausilio di altri mezzi (a meno che non sia espressamente consentito dal produttore).
8. Non danneggiare il circuito frigorifero dell'apparecchio.
9. NON salire sull'apparecchio, sui ripiani o sullo sportello dell'apparecchio e NON aggrapparsi agli stessi.
10. Fare attenzione che i componenti in plastica o le guarnizioni degli sportelli NON vengano a contatto con oli o grassi. Qualora dovesse capitare, pulirli immediatamente.
11. Non introdurre MAI oggetti infiammabili, esplosivi o sostanze corrosive, alcali o altri liquidi nell'apparecchio.
12. Non conservare sostanze mediche in questo apparecchio.
13. Non pulire l'apparecchio con una pulitrice ad alta pressione.
14. I bambini non devono giocare con il materiale d'imballaggio. Smaltire le buste di plastica seguendo le norme in materia di sicurezza.
15. Le bottiglie contenenti alcol ad alta percentuale devono essere a chiusura ermetica ed essere collocate nel frigorifero in posizione verticale.
16. Trasportare, e usare l'apparecchio sempre in posizione verticale.
17. Spegnerne sempre l'apparecchio prima di pulirlo.
18. Se la linea di collegamento dell'apparecchio è difettosa deve essere sostituita dal produttore o dal suo rappresentante o da un elettricista per evitare pericoli in termini di sicurezza.
19. Questo apparecchio non è previsto per l'uso da parte di persone (inclusi i bambini) con ridotte capacità fisiche, sensoriali e mentali, né da parte di persone senza esperienza e conoscenza, a meno che tali persone non siano controllate e non abbiano ricevuto istruzioni da parte di una persona responsabile della loro sicurezza.
20. I bambini devono essere sorvegliati per assicurarsi che non giochino con l'apparecchio.



## Importanti indicazioni di sicurezza

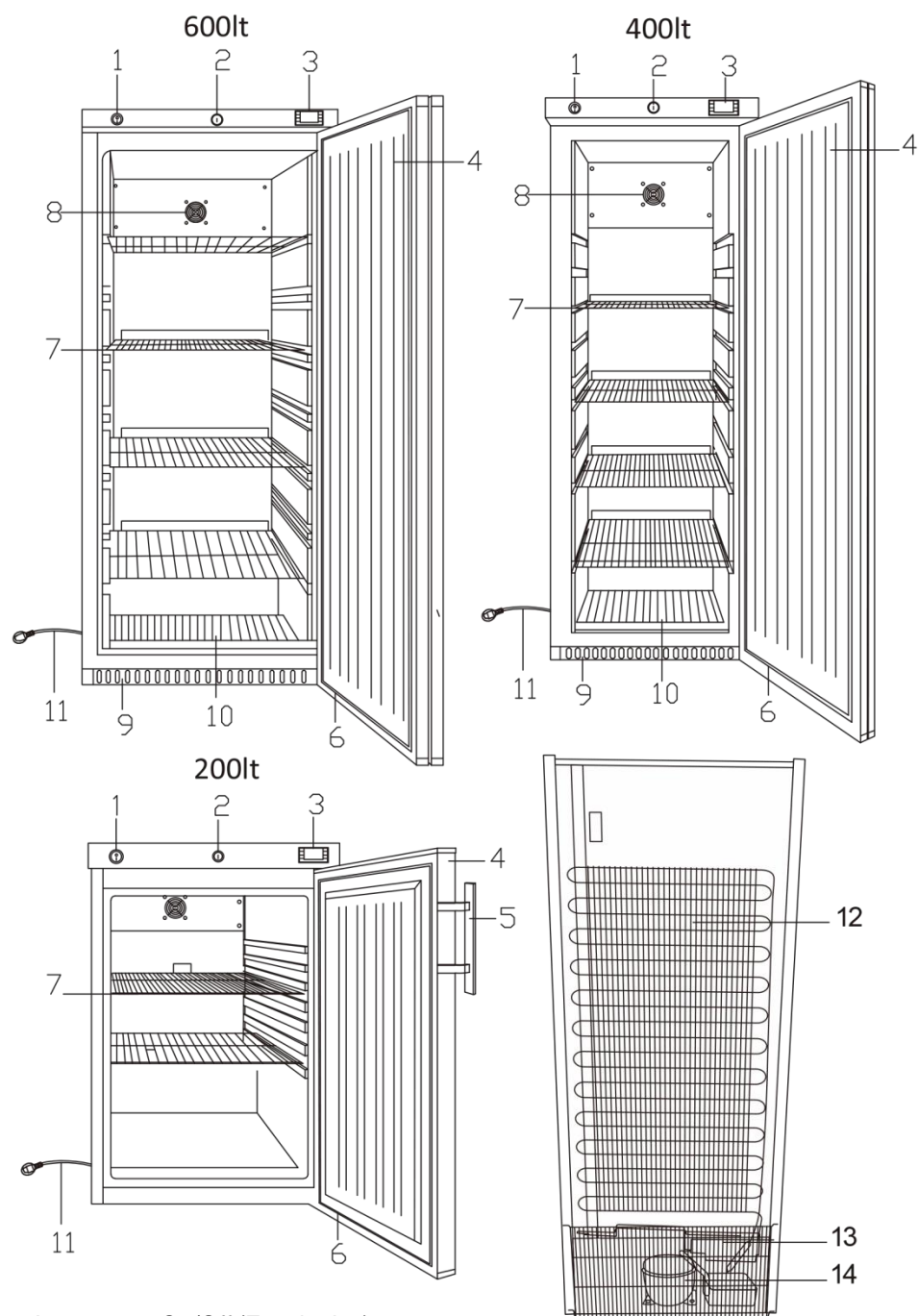
21. L'apparecchio è previsto unicamente per l'uso in ambiente interno. Non deve essere installato in prossimità di spruzzi d'acqua e non deve assolutamente essere pulito con una macchina ad alta pressione.
22. Per garantire l'uso sicuro dell'apparecchio, il medesimo deve essere montato e collegato in conformità a quanto descritto nelle presenti istruzioni.
23. Riparazioni e interventi di manutenzione devono essere eseguiti esclusivamente da un servizio di assistenza o da personale esperto qualificato.
24. Il limite massimo di caricamento di un ripiano è di 25 kg.
25. L'accesso al frigorifero/al congelatore deve restare chiuso e le chiavi devono essere tenute fuori dalla portata dei bambini.

## Destinazione d'uso

Questo apparecchio è concepito esclusivamente per il raffreddamento e la conservazione di generi alimentari e di bevande.

# Descrizione articolo

Frigorifero



1. Interruttore On/Off (Facoltativo)

2. Serratura

3. Controller

4. Sportello

5. Maniglia

6. Guarnizione

7. Scaffale

8. Ventola

9. Pannello inferior

10. Scaffale inferior

11. Cavo di alimentazione con spina

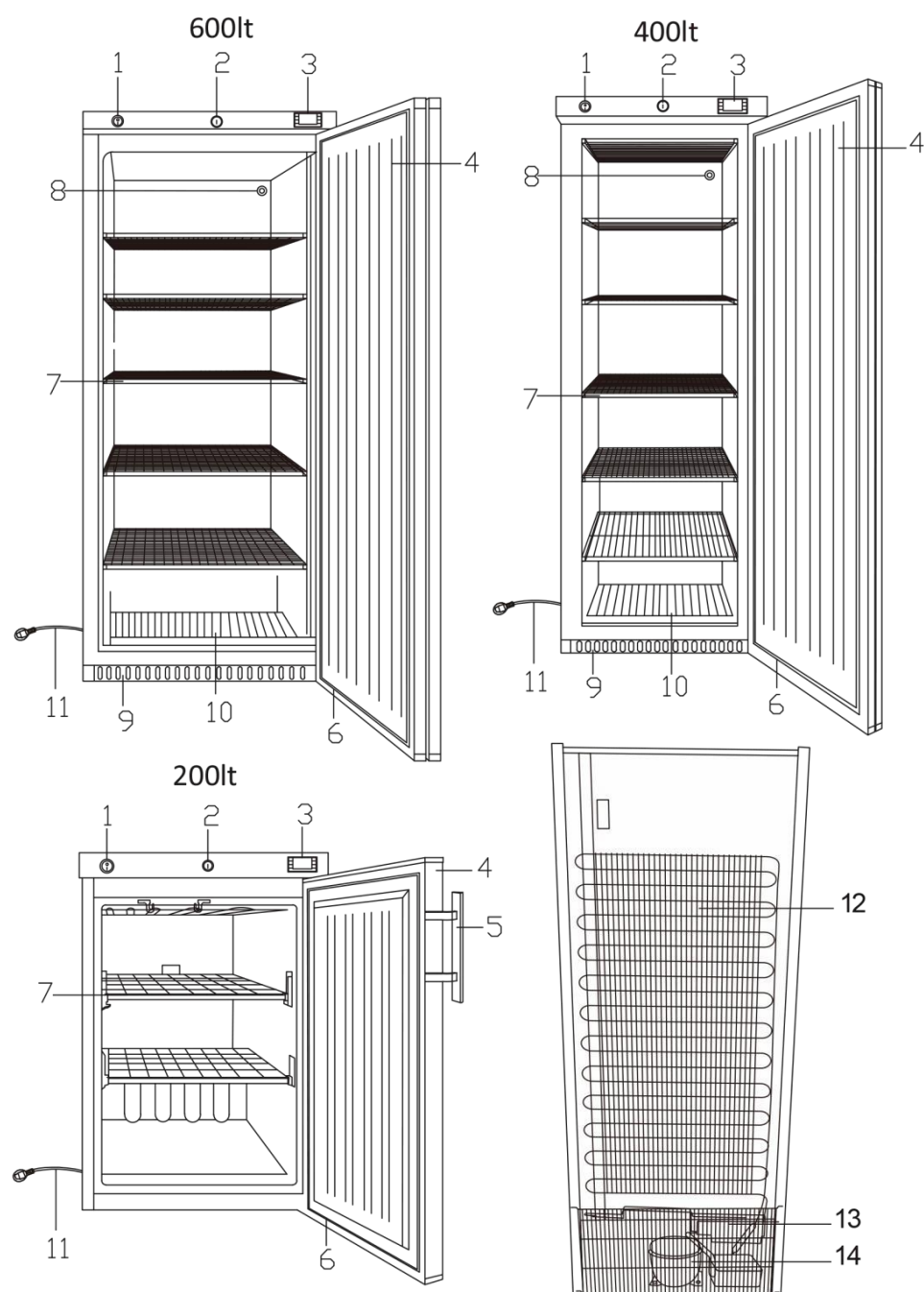
12. Condensatore

13. Ventola condensatore

14. Compressore

# Descrizione articolo

Congelatore



- |                                      |                                     |
|--------------------------------------|-------------------------------------|
| 1. Interruttore On/Off (Facoltativo) | 8.Valvola di mandata                |
| 2. Serratura                         | 9.Pannello inferior                 |
| 3.Controller                         | 10.Scaffale inferior                |
| 4.Sportello                          | 11. Cavo di alimentazione con spina |
| 5.Maniglia                           | 12. Condensatore                    |
| 6.Guarnizione                        | 13.Ventola condensatore             |
| 7.Scaffale                           | 14.Compressore                      |

## Posizionamento e installazione

Il frigorifero deve essere collocato in un locale asciutto e sufficientemente ventilato. Per garantire una funzionalità ottimale, l'apparecchio non deve essere esposto alla luce diretta del sole né posizionato in prossimità di apparecchiature che sviluppano calore. Va considerato che la temperatura ottimale dell'ambiente è tra 16 °C e 35 °C.

Congelatore , Frigorifero : In un ambiente con elevata umidità dell'aria può essere necessaria un'ulteriore attrezzatura per l'evaporazione della condensa nella vasca in prossimità del compressore. Il frigorifero può essere posizionato liberamente contro una parete.

**Importante!**

Accertarsi che sia garantita una sufficiente ventilazione sotto, sopra e dietro il frigorifero. Le gambe del frigorifero sotto e i distanziatori dietro garantiscono spazio sufficiente per la circolazione dell'aria.

- Rimuovere l'imballaggio dall'apparecchio. Fare attenzione che le pellicole di plastica e gli strati di protezione vengano rimossi completamente da tutte le superfici. Per evitare lesioni e prevenire danneggiamenti all'apparecchio, quest'ultimo dovrebbe essere disimballato e montato da due persone.
- Posizionare l'apparecchio su una superficie piana e stabile
- L'alimentazione elettrica e di tensione devono corrispondere ai dati riportati sulla targhetta dell'apparecchio. La spina deve essere facilmente accessibile dopo l'installazione.
- Inserire e disinserire la spina correttamente. La spina deve essere inserita saldamente nella presa. Durante il disinserimento tenere con una mano la presa e con l'altra estrarre la spina. Non staccare mai la spina tirando il cavo.
- Se l'apparecchio non viene utilizzato per un periodo prolungato, spegnerlo e staccare la spina. Pulire l'elettrodomestico e lasciare la porta aperta per prevenire la formazione di cattivi odori.
- **Importante!** Per motivi di sicurezza personale verificare che l'apparecchio sia regolarmente collegato con la presa a terra! Il cavo dell'apparecchio è provvisto di un conduttore di terra nonché di una spina Schuko. Inserire la spina in una presa installata regolarmente e collegata a terra. Consultare personale qualificato o il servizio di assistenza in caso di dubbi relativa alla messa a terra.
- Se il cavo elettrico non è sufficientemente lungo per raggiungere la presa più vicina, cambiare il luogo di installazione o fare installare l'apparecchio da personale qualificato.
- In caso di interruzione della corrente attendere almeno 3 minuti prima di riaccendere l'apparecchio per evitare il danneggiamento del compressore.

**Nota:** Lavare/sciacquare i ripiani e la parte interna dell'apparecchio prima del primo impiego.

**Nota:** Pulire i ripiani e la parte interna dell'apparecchio con acqua saponata prima di metterlo in funzione per la prima volta.

## Allacciamento elettrico

Questo frigorifero è concepito per essere collegato alla corrente alternata. Sia la tensione (V) sia la frequenza (Hz) sono riportate sulla targhetta nella parte interna del frigo. Il collegamento alla rete elettrica si svolge tramite una spina tripolare. Deve essere rispettato ogni requisito relativo alla messa a terra per l'alimentazione di corrente locale. La spina del frigorifero e la presa di parete devono essere collegati a terra. Se sussistono ulteriori dubbi sulla correttezza della messa a terra, contattare il proprio fornitore o un elettricista autorizzato.



**Avvertenza!** Questo apparecchio deve essere collegato a terra.

Il cavo elettrico elastico del frigo è trifilare e predisposto per una presa a 3 spinotti. Se viene usata una spina B.B. 1363 (13 ampère) con fusibile, la medesima deve essere dotata di un fusibile da 13 ampère o di una spina Schuko rettangolare. Rispettare la piastrina metallica con foro sopra i due perni di collegamento – la medesima può essere collegata a prese francesi e belghe in cui sporge una molla di contatto a terra. Altri Paesi europei utilizzano una presa con un contatto di protezione, che fuoriesce dal lato e finisce sulle superfici di contatto della spina. Ciò garantisce, che la spina Schuko può essere utilizzata nella maggior parte dei paesi sul continente europeo.

**Importante:**

I cavi nella rete di alimentazione principale sono colorati secondo il seguente codice cromatico:

Verde-giallo: terra / conduttore di terra

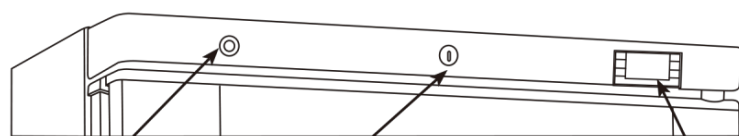
Blu: conduttore neutro

Marrone: fase

I colori dei fili nel cavo di rete di questo apparecchio potrebbero non corrispondere alla colorazione dei poli sulla presa.

Il filo verde/giallo deve essere collegato al polo nella spina marcato con „E“ o con il simbolo di „Terra“ o a quello colorato di verde/giallo. Il filo blu deve essere collegato al polo con la lettera „N“, o al polo colorato di nero. Il filo marrone deve essere collegato al polo marcato di rosso o al polo con la scritta „L“.

## Messa in funzione



Interruttore generale (Facoltativo)      Serratura      Display termostato

Collegare il frigo alla rete elettrica.

Il display indica la temperatura attuale.



**Manutenzione:**

Accertarsi che l'apparecchio sia stato staccato completamente dalla rete elettrica prima di eseguire la manutenzione componenti elettrici.

## Uso

### Conservazione di generi alimentari

Rispettare le seguenti norme per ottenere il migliore risultato possibile:

- Riempire l'apparecchio di alimenti solo quando l'apparecchio ha raggiunto la temperatura d'esercizio prescritta.
- Chiudere sempre lo sportello quando l'apparecchio non viene utilizzato ed è acceso.
- Non introdurre mai cibi o liquidi caldi non chiusi nell'apparecchio.
- Gli alimenti devono sempre essere ben imballati o coperti.
- I ventilatori all'interno dell'apparecchio non devono essere bloccati.
- Evitare di lasciare lo sportello aperto per un periodo prolungato.
- Il carico massimo per un ripiano è di 25 kg.
- Gli alimenti nel congelatore o nella vetrina devono essere inseriti in contenitori. Non devono essere conservati privi di confezione.

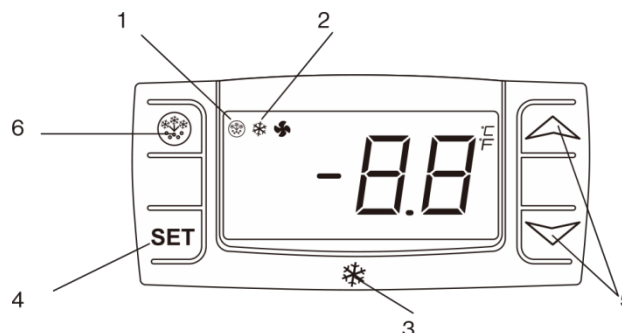
### Accendere l'apparecchio

- Chiudere lo sportello dell'apparecchio.
- L'interruttore di rete deve essere posizionato su fi(O) . Inserire la spina di alimentazione in una presa appropriata.
- Posizionare l'interruttore di rete su (I) . Viene visualizzata la temperatura presente all'interno dell'apparecchio.
- Sul ❄ display lampeggia il simbolo per tre minuti per indicare il ritardo tra l'arresto del compressore e il riavvio.

### Impostazione temperatura e controllo

#### Display termostato e pannello di comando

1. Spia di sbrinamento
2. Spia di funzionamento compressore
3. Termostato digitale
4. Tasto di programmazione (solo per manutenzione apparecchio)
5. Tasti per impostazione temperatura
6. Sbrinamento manuale



### Come leggere il valore nominale della temperatura

- Premere brevemente il tasto SET . Verrà visualizzato il valore nominale della temperatura.
- Premere nuovamente il tasto SET o attendere 5 secondi. Apparirà di nuovo il display di funzionamento.

### Come modificare il valore nominale della temperatura

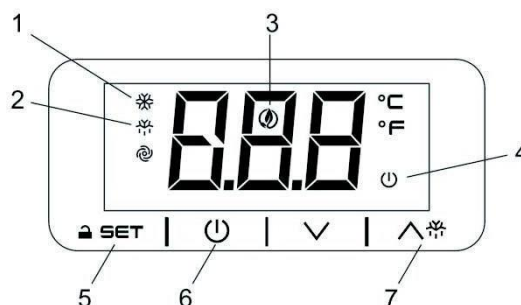
- Tenere premuto il tasto SET per più di due secondi per impostare un nuovo valore nominale.
- Viene visualizzato il valore della temperatura e „°C“ inizia a lampeggiare.
- Per modificare il valore della temperatura premere le frecce „^ „ (su) o „v „ (giù) entro 10 secondi.
- Per memorizzare il nuovo valore di temperatura, premere il tasto SET o attendere 10 secondi.

# Uso

## FUNZIONAMENTO(EVCO)

### Il pannello anteriore del termostato

1. Spia di funzionamento del compressore
2. Spia di sbrinamento
3. Spia di risparmio energetico
4. Spia di stand-by
5. Tasto di programmazione (solo per l'addetto all'assistenza)
6. Macchina accesa / Stand-by (tenere premuto)
7. Sbrinamento manuale (tenere premuto)



### Come sbloccare la tastiera (messaggio "Loc")

- Premere un tasto qualsiasi per più di 2 secondi, viene visualizzato il messaggio «UnL» e la tastiera verrà sbloccata.

**Nota:** per motivi di sicurezza, la tastiera si blocca automaticamente dopo 30 secondi di inattività dei tasti.

Per eseguire qualsiasi operazione, si prega di sbloccare prima la tastiera.

### Come vedere e modificare il set point

- Premere e rilasciare immediatamente il tasto **SET**, viene mostrato il set point che inizia a lampeggiare;
- Per modificare il valore impostato premere le frecce "**^**" o "**∨**" entro 20 secondi.
- Per memorizzare il nuovo set point, premere di nuovo il tasto o attendere **SET** 20 secondi.

### Sbrinamento automatico

L'apparecchio esegue automaticamente un ciclo di sbrinamento.

**Nota:** Il ciclo inizia dal momento in cui il dispositivo viene acceso inizialmente.

### Per sbrinare manualmente l'apparecchio:

- Tenere premuto il tasto DEFROST **^** per 3 secondi;
- Il ciclo di sbrinamento si avvia immediatamente e il LED si accende. Lo sbrinamento durerà 20 minuti.

**Nota:** l'avvio di uno sbrinamento manuale azzerava anche il timer di sbrinamento automatico. Il prossimo sbrinamento automatico inizierà 12 ore dopo il termine dello sbrinamento manuale.

### Come far passare la macchina dallo stato ON a STAND-BY

- Tenere premuto il tasto **⏻** per 4 secondi, la macchina passa dallo stato ON a STAND-BY e viceversa. Mentre
- il tasto è premuto il led **⏻** lampeggia per mostrare il cambio di stato

## Sbrinamento


Frigorifero: Sbrinamento automatico con evaporazione automatica della brina.

Sbrinamento automatico

L'apparecchio esegue un processo di sbrinamento ogni 6 ore.

Nota: Il ciclo di sbrinamento inizia con la prima messa in funzione dell'apparecchio.

Per lo sbrinamento manuale procedere come segue:

- Tenere premuto il tasto S BRINAMENTO  per 5 secondi.
- Il LED di sbrinamento si accende e il processo di sbrinamento entra in azione. Lo sbrinamento dura 20 minuti.

**Nota:** Durante lo sbrinamento manuale, il temporizzatore di sbrinamento viene automaticamente azzerato. Il successivo ciclo di sbrinamento automatico inizia 6 ore dopo lo sbrinamento manuale.

Congelatore: Sbrinamento manuale mediante spegnimento e distacco della spina. Svuotare precedentemente il congelatore e attendere finché il ghiaccio all'interno si sia sciolto. Raccogliere la brina.



Per lo sbrinamento non utilizzare mai oggetti taglienti o appunti in quanto potrebbero danneggiare il circuito refrigerante.

## Cambiare la cerniera dello sportello

Lo sportello può essere agganciato sia a destra che a sinistra.

A tale scopo procedere nel modo seguente:



1. Spegnere l'apparecchio con l'interruttore di rete e staccarlo dall'alimentazione di energia elettrica.

Cerniera 3 (bordo superiore dello sportello)

Cerniera 4 (bordo inferiore dello sportello)

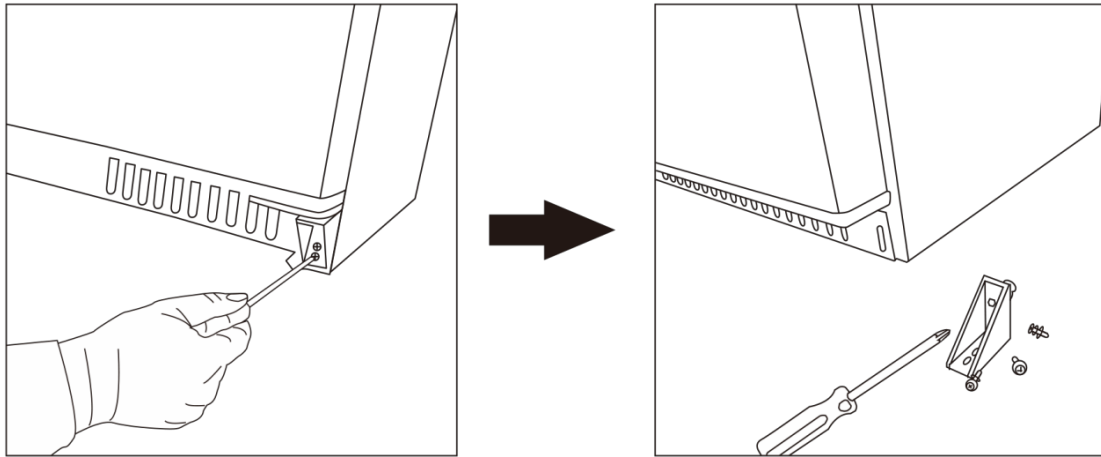
Cerniera 1\*(vedi nota) Cerniera 2

Nota: è provvisto di rullino che facilita lo scorrimento dello sportello durante la chiusura e funziona da supporto per lo sportello.

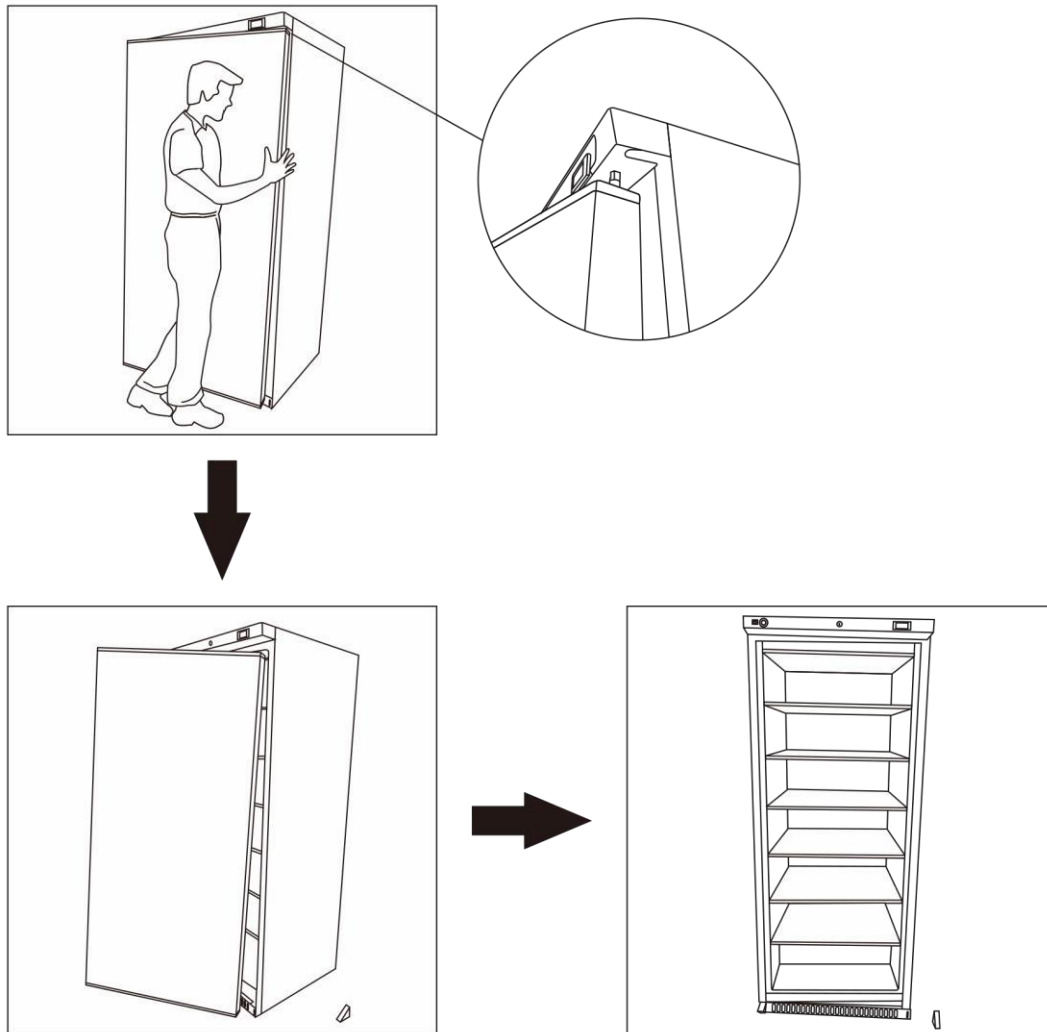


## Cambiare la cerniera dello sportello

2. Rimuovere la cerniera2

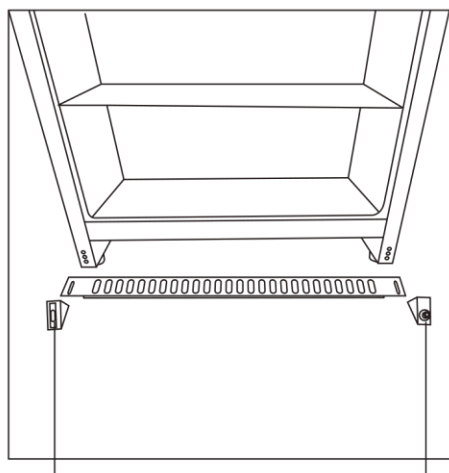
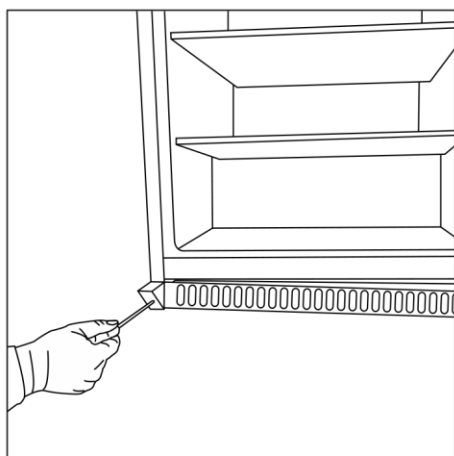


3. Togliere lo sportello



## Cambiare la cerniera dello sportello

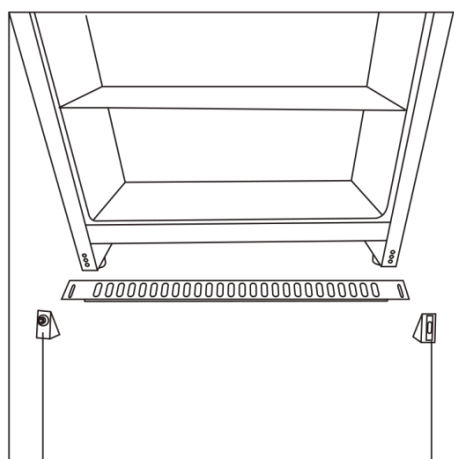
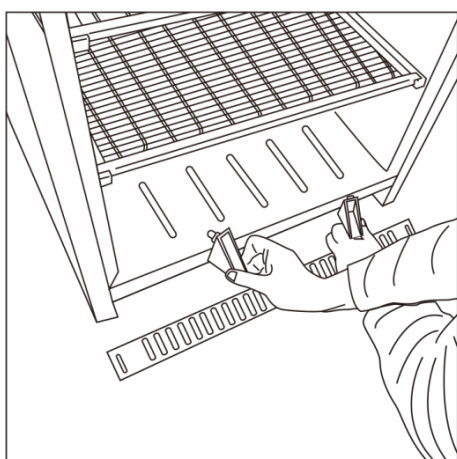
### 4. Rimuovere la cerniera 1



Cerniera 1

Cerniera 2

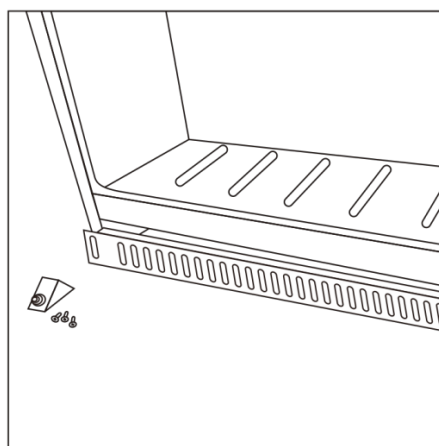
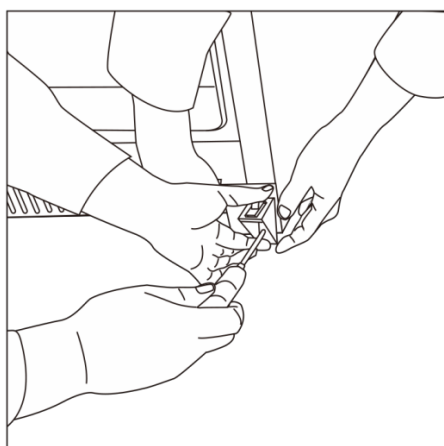
### 5. Scambiare la posizione delle cerniere 1 e 2



Cerniera 2

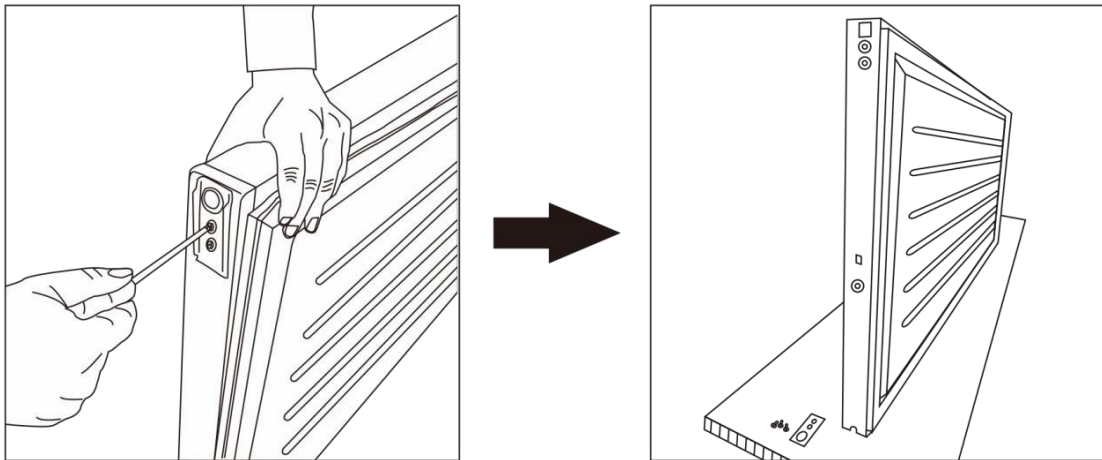
Cerniera 1

### 6. Fissare la cerniera 1

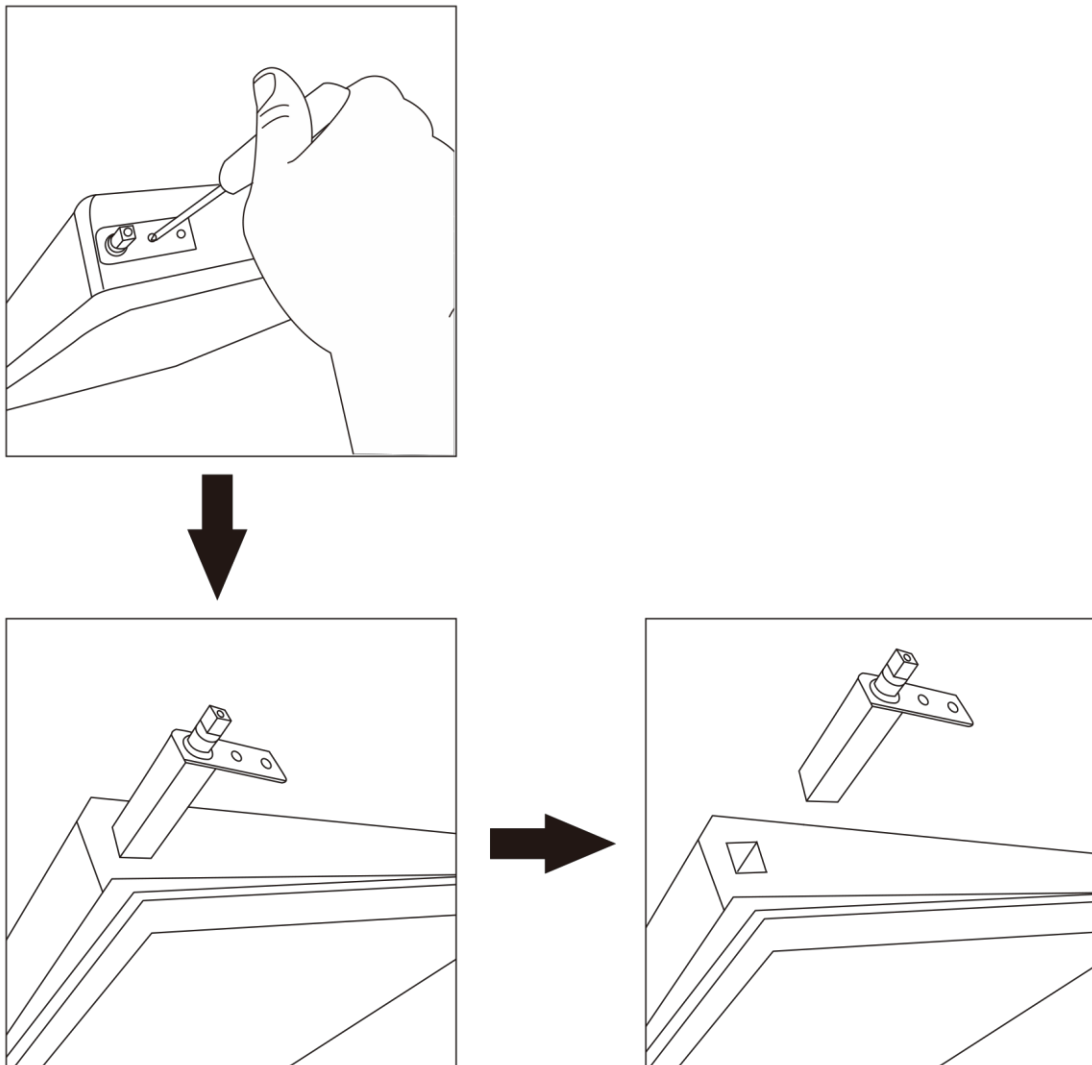


## Cambiare la cerniera dello sportello

7. Rimuovere la cerniera 4 (bordo inferiore dello sportello)

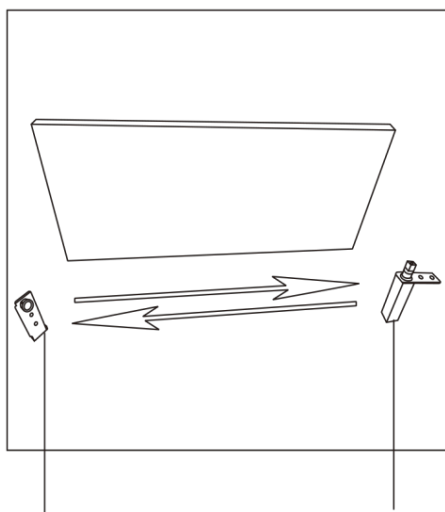


8. Rimuovere la cerniera 3 (bordo superiore dello sportello)



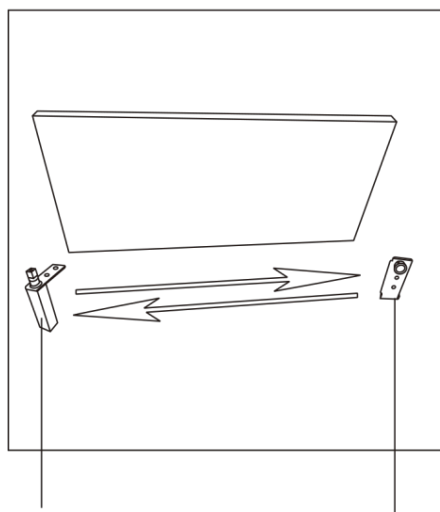
## Cambiare la cerniera dello sportello

9. Scambiare la posizione delle cerniere 3 e 4



Cerniera 4

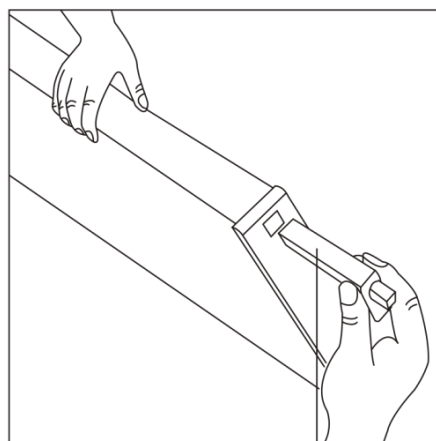
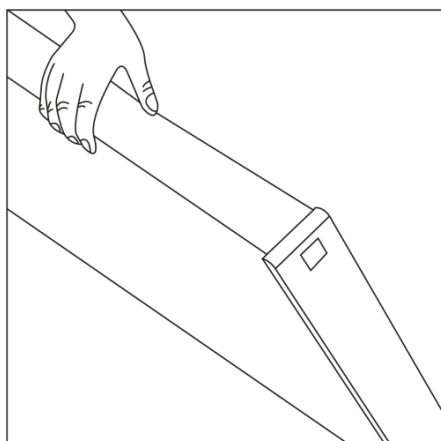
Cerniera 3



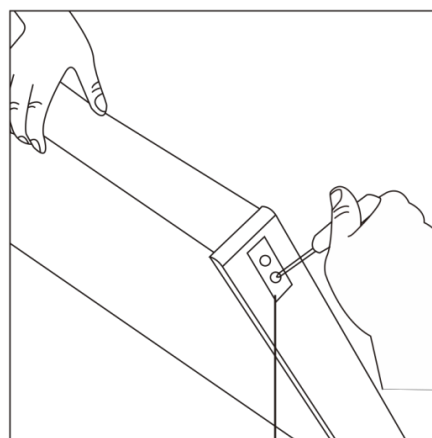
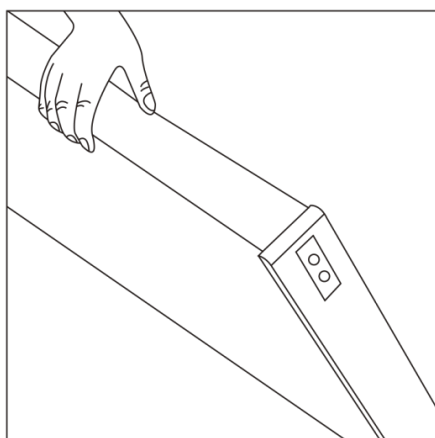
Cerniera 3

Cerniera 4

10. Fissare le cerniere 3 e 4 sullo sportello.



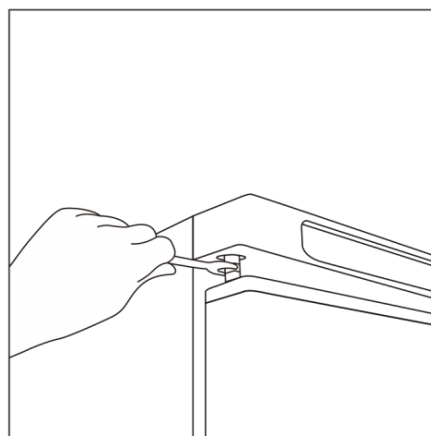
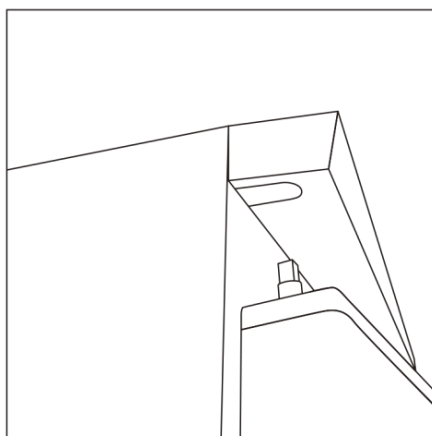
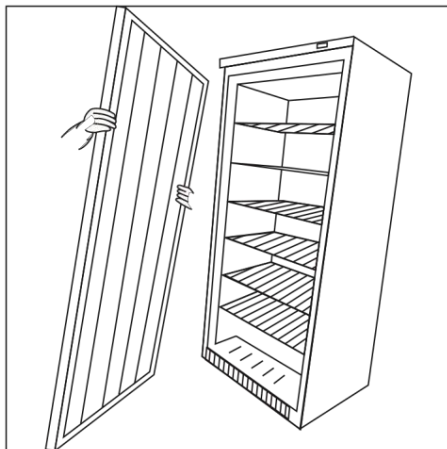
Cerniera 3



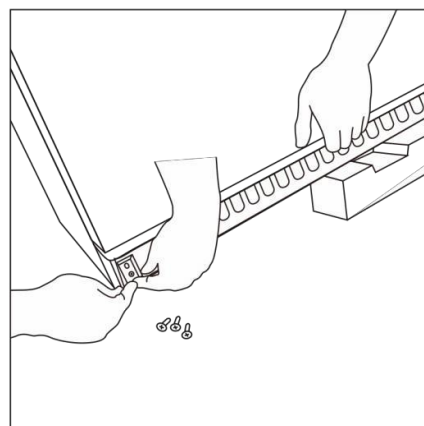
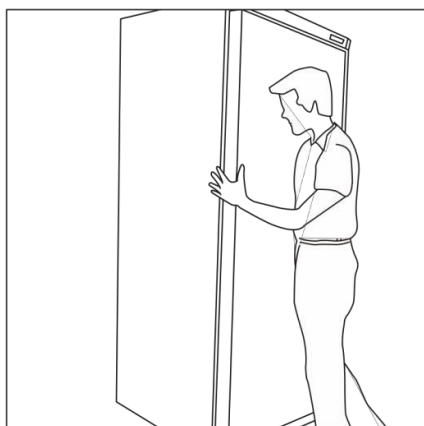
Cerniera 4

# Cambiare la cerniera dello sportello

11. Girare lo sportello e agganciarlo alla cerniera superiore



12. Fissare la cerniera 2



## Pulizia, cura e manutenzione



Prima della pulizia staccare l'apparecchio completamente dalla corrente!

Pulire il frigorifero con una soluzione di acqua e sapone. I componenti in plastica perdono la loro resistenza se viene utilizzato acqua calda (temperatura max +85°C).

Rimuovere tutte le sostanze collose effettuando la pulizia della guarnizione di gomma presente all'interno dello sportello. Per garantire un ottimo funzionamento del compressore l'uscita dell'aria del ventilatore del condensatore deve essere priva di foglie, carta e simili per garantire un funzionamento perfetto. Il condensatore sulla parte posteriore del frigorifero deve essere pulito regolarmente, possibilmente con un aspirapolvere e una spazzola.

### Manutenzione ordinaria

Prima della pulizia spegnere l'apparecchio.

- Pulire la cassa e la parte interna dell'apparecchio.
- Durante la pulizia prestare attenzione che interruttori, pannello di comando, cavo e spina non si bagnino.
- Per la pulizia non usare detergenti aggressivi. Usare esclusivamente una soluzione di acqua e sapone.
- Utilizzare solo acqua per la pulizia della guarnizione dello sportello.
- Prestare attenzione durante la pulizia in particolare modo l'acqua non deve entrare in contatto con i componenti elettrici dell'apparecchio.
- Non pulire l'apparecchio con un getto d'acqua.
- Dopo la pulizia asciugare l'apparecchio con un panno morbido.
- Pulire la parte posteriore dell'apparecchio con cautela.
- Le riparazioni devono essere effettuate da un servizio clienti o da un esperto qualificato.
- Se l'apparecchio non viene utilizzato per un periodo prolungato, posizionare l'interruttore di potenza su OFF e togliere la spina. Svuotare tutti gli scomparti e pulire a fondo l'apparecchio. Lasciare la porta aperta per evitare la formazione di cattivi odori e muffe.

### Manutenzione straordinaria

Le seguenti istruzioni sono destinate ad esperti

Procedura regolare

- Pulire il condensatore regolarmente con un mezzo appropriato.
- La pulizia del condensatore prolunga la durata dell'apparecchio.
- Verificare che il termostato e il sensore funzionino regolarmente.
- Tenere la chiave del pannello di comando fuori dalla portata dei bambini.
- Aprire la serratura solo con la chiave.

## Risoluzione guasti

In presenza di anomalie all'apparecchio Congelatore, Frigorifero consultare la seguente tabella.

Anomalia	Eventuale causa	Rimedio
Il frigorifero non funziona.	L'apparecchio non è acceso.	Accertarsi che l'apparecchio sia collegato alla rete elettrica e acceso.
	Spina e cavo danneggiati.	Contattare il nostro agente o un tecnico qualificato.
	Alimentazione di energia.	Controllare l'alimentazione di energia.
	Difetto di cablaggio interno.	Contattare un nostro collaboratore o un tecnico qualificato.
Il frigorifero può essere acceso ma la temperatura è troppo bassa.	Troppo ghiaccio nell'evaporatore.	Sbrinare il frigorifero.
	Il condensatore viene bloccato dalla presenza di polvere.	Pulire il condensatore.
	Lo sportello non è chiuso correttamente.	Accertarsi che lo sportello sia chiuso correttamente e che le guarnizioni non siano danneggiate.
	L'apparecchio è posizionato in prossimità di una sorgente di calore o il flusso di aria al condensatore è interrotto.	Spostare l'apparecchio in una posizione più appropriata.
	La temperatura ambientale è troppo alta.	Aumentare la ventilazione o spostare il frigorifero in una posizione più fresca.
	Presenza di alimenti non appropriati nel frigorifero.	Eliminare alimenti eccessivi, caldi e oggetti che bloccano il ventilatore.
	Il frigorifero è sovraccarico.	Ridurre la quantità di alimenti nel frigorifero.
Perdita di acqua dall'apparecchio. (HRE2600)	L'apparecchio non è posizionato in piano.	Adattare i piedini regolabili del frigorifero in modo tale che l'apparecchio stia diritto.
	Lo scarico è bloccato	Pulire lo scarico
	Il contenitore dell'acqua è difettoso.	Contattare un nostro collaboratore o un tecnico qualificato.
Il frigorifero presenta una rumorosità eccessiva.	Viti/dadi allentati.	Controllare tutti i dadi e tutte le viti e stringerli.
	L'apparecchio non è installato su un pavimento stabile e piano.	Controllare la posizione di installazione e cambiarla, se necessario.

## Smaltimento

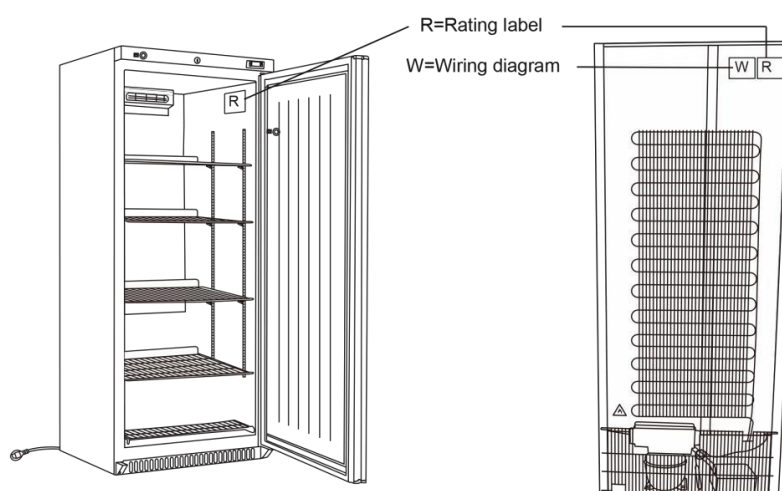
Se l'apparecchio non serve più va smaltito nel rispetto dell'ambiente. Non disperdere il prodotto nell'ambiente al termine del suo ciclo di vita. L'utente è pregato di informarsi in merito alla procedura di smaltimento corretta del refrigeratore o presso il proprio fornitore o presso le autorità (amministrazione comunale, ministero dell'ambiente ecc.)

- Il proprio fornitore
- Le autorità (amministrazione comunale, ministero dell'ambiente ecc.)

## Dati tecnici

Modello	Frigorifero			Congelatore		
	200lt	400lt	600lt	200lt	400lt	600lt
Classe climatica	3	3	3	3	3	3
Gas refrigerante	Fare riferimento alle informazioni indicate sul prodotto. Troverete le informazioni sull'etichetta informativa sul retro dell'unità così come all'interno del compartimento di raffreddamento. Il diagramma di circuito è mostrato sul retro dell'unità così come all'interno del compartimento di raffreddamento					
Carica del refrigerante						
Range di temperatura (°C)						
Alimentazione in entrata						
Frequenza nominale						
Tensione nominale						
Volume interno						
Peso netto						
Peso lordo						
Dimensione esterna (mm)						
Agente schiumogeno	CP			CP		

PER DETTAGLI TECNICI E DIAGRAMMA ELETTRICO VEDERE ETICHETTA SUL RETRO DEL PRODOTTO.



Avvertenze per la tutela dell'ambiente



I dispositivi elettrici usati possono contenere sostanze dannose per l'ambiente e quindi non devono essere smaltiti come rifiuti domestici. Siete pertanto pregati di consegnare l'apparecchio esausto presso gli appositi centri di raccolta o presso i centri autorizzati al ritiro al fine di proteggere l'ambiente.



## Dati tecnici



ATTENZIONE PERICOLO D'INCENDIO E DI ESPLOSIONE CON REFRIGERANTE  
INFIAMMABILE R600a.



## Garanzia

Il presente apparecchio è coperto dalla garanzia legale per i difetti di conformità ex DL 24/02 e Dlgs 206/2005.

La garanzia decade se il consumatore non denuncia il difetto di conformità entro il termine di due mesi dalla data in cui ha scoperto il difetto.

Il diritto alla garanzia decade in presenza di interventi da parte dell'acquirente o di terzi. I danni causati da un utilizzo improprio, da montaggio, conservazione, da collegamento o installazione non corretti, come anche da cause di forza maggiore non sono coperti dalla garanzia.

Raccomandiamo di leggere attentamente le istruzioni, perché contengono informazioni importanti. Il consumatore è obbligato a conservare la ricevuta d'acquisto dell'apparecchio e ad esibirla qualora necessiti di ricorrere alla garanzia. La ricevuta di acquisto costituisce prova documentale del diritto alla garanzia dell'apparecchio. Il diritto alla garanzia è subordinato alla presentazione della prova d'acquisto da parte dell'acquirente. Si prega di fare attenzione ad allegare all'eventuale apparecchio difettoso, al momento della consegna al Vs. rivenditore, anche i seguenti documenti:

- ricevuta d'acquisto, tipo, marca
- descrizione dell'apparecchio oltre alla descrizione quanto più possibile dettagliata del difetto riscontrato.

Per richiedere l'applicazione della garanzia o in caso di guasto, rivolgersi personalmente al proprio negozio di fiducia.

GWL 7/08 E/IT

## Übersetzung der Originalbetriebsanleitung

Sehr geehrte Kundin,  
sehr geehrter Kunde,  
herzlichen Glückwunsch zum Kauf dieses Produktes.  
Bitte nehmen Sie sich einige Minuten Zeit, bevor Sie das Gerät in Betrieb nehmen und lesen Sie die nachfolgende  
Gebrauchsanweisung durch.



### Inhaltsverzeichnis

Sicherheitshinweise .....	99
Bestimmungsgemäßer Gebrauch .....	100
Bedienelemente .....	101
Platzierung und Installation .....	103
Stromanschluss .....	104
Inbetriebnahme .....	104
Bedienung .....	105
Abtauen .....	107
Wechseln des Türanschlages .....	107
Reinigung, Pflege und Wartung .....	113
Fehlerbehebung .....	114
Entsorgung .....	115
Technische Daten .....	115
Gewährleistung .....	116

## Sicherheitshinweise

1. Dieses Gerät ist für die kommerzielle Anwendung o. ä. konzipiert (z.B. durch Laien in Geschäften).
2. Verwenden Sie das Gerät NIEMALS im Freien
3. Führen Sie NIEMALS eigenhändig Wartungsarbeiten an diesem Gerät durch.
4. Verwenden Sie das Gerät NICHT, wenn es Beschädigungen aufweist. Wenden Sie sich im Zweifel an Ihren Kundendienst.
5. Verwenden Sie unter keinen Umständen weitere elektrische Geräte im Inneren dieses Gerätes (z.B. Heizgeräte, Speiseeisbereiter (es sei denn diese sind vom Hersteller ausdrücklich erlaubt)
6. Achten Sie darauf das Ventilationsöffnungen im Gehäuse (innen oder außenliegend) nicht verdeckt werden.
7. Versuchen Sie unter keinen Umständen mechanisch oder mit einem anderen Hilfsmittel den Abtauvorgang zu beschleunigen (es sei denn es wurde vom Hersteller ausdrücklich genehmigt).
8. Beschädigen Sie NIEMALS den Kältekreislauf des Gerätes.
9. Stellen Sie sich NICHT auf das Gerät, die Regale oder die Tür des Gerätes und halten Sie sich NICHT daran fest.
10. Achten Sie darauf, dass Plastikkomponenten oder die Türdichtungen NICHT mit Ölen oder Fetten in Kontakt kommen. Reinigen Sie diese umgehend, sollte dies der Fall sein.
11. .Legen Sie NIEMALS brennbare, explosive oder flüchtig werdende Gegenstände, Ätzmittel, Alkali oder andere Flüssigkeiten in das Gerät.
12. Lagern Sie in diesem Gerät unter keinen Umständen medizinische Substanzen.
13. Reinigen Sie das Gerät NIEMALS mit einem Hochdruckreiniger.
14. Kinder dürfen nicht mit dem Verpackungsmaterial spielen. Entsorgen Sie die Kunststoffbeutel vorschriftsgemäß.
15. Flaschen mit hochprozentigem Alkohol müssen dichtschießend sein und vertikal in den Gefrierschrank gestellt werden.
16. Tragen, lagern und betreiben Sie das Gerät immer in vertikaler Position. Fassen Sie das Gerät zum Tragen immer am Sockel.
17. Bevor Sie das Gerät reinigen, müssen Sie das Gerät grundsätzlich ausschalten und den Netzstecker ziehen.
18. Wenn die Anschlussleitung dieses Gerätes beschädigt ist, muss sie durch den Hersteller oder seinen Kundendienst oder eine Elektrofachkraft ersetzt werden, um Sicherheitsgefährdungen zu vermeiden.
19. Dieses Gerät ist nicht dafür bestimmt, durch Personen (einschließlich Kinder) mit eingeschränkten physischen, sensorischen oder geistigen Fähigkeiten oder mangels Erfahrung und/oder mangels Wissen benutzt zu werden, es sei denn, sie werden durch eine für ihre Sicherheit zuständige Person beaufsichtigt oder erhielten von ihr Anweisungen, wie das Gerät zu benutzen ist.

## Sicherheitshinweise

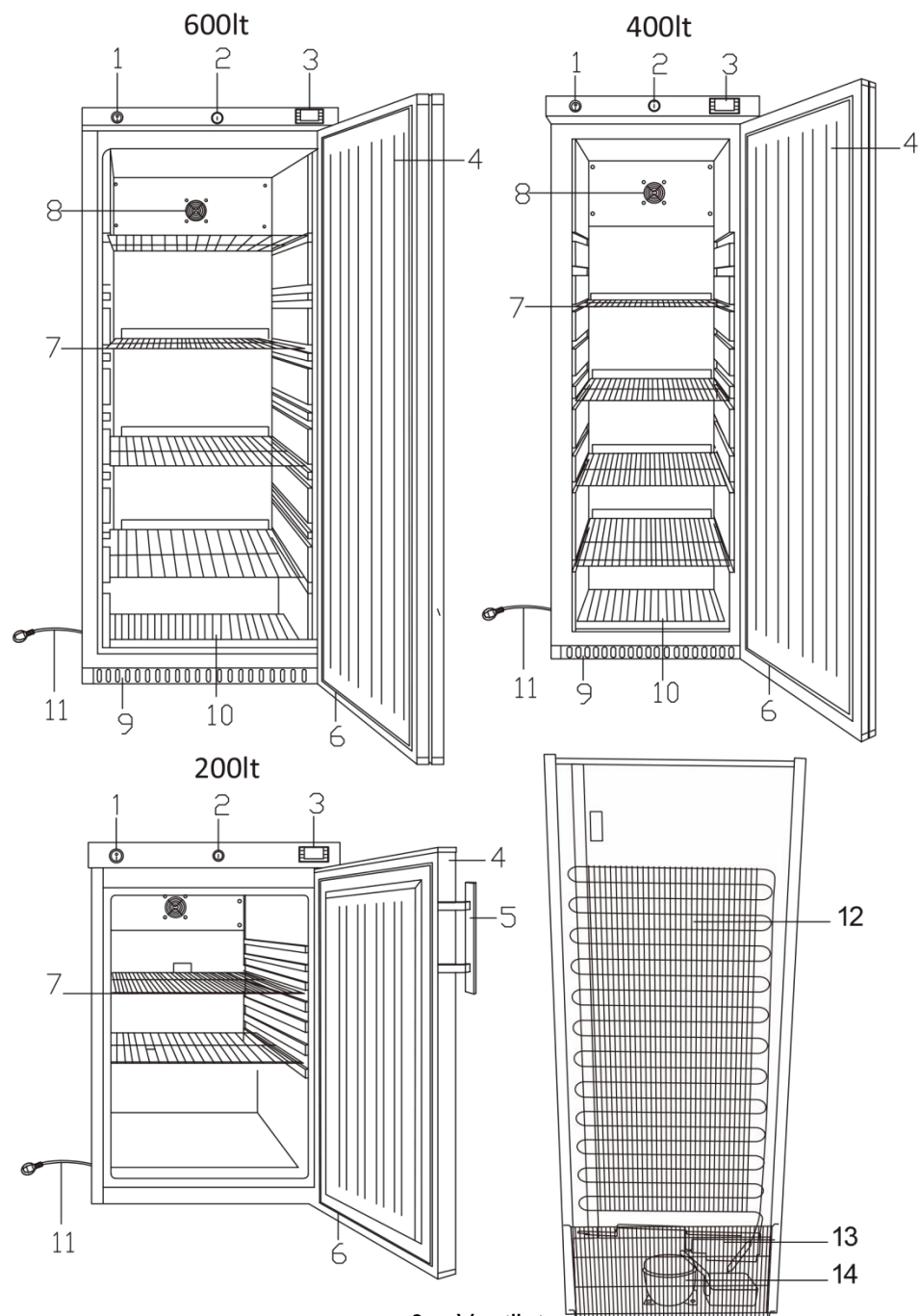
20. Kinder müssen beaufsichtigt werden und dürfen nicht mit diesem Gerät spielen.
21. Das Gerät ist nur für den Gebrauch in Innenräumen konzipiert. Es darf nicht in der Nähe von einem Wasserstrahl aufgestellt werden und unter keinen Umständen mit einem Hochdruckreiniger gereinigt werden.
22. Um einen sicheren Betrieb des Gerätes zu gewährleisten, muss dieses wie in dieser Anleitung beschrieben montiert und angeschlossen werden.
23. Reparaturen und Wartungsarbeiten dürfen ausschließlich von einem Kundendienst oder einem qualifizierten Fachmann ausgeführt werden.
24. Die maximale Belastungsgrenze einer Regalplatte beträgt 25 kg.
25. Der Zugang zum Kühlschrank/Gefrierschrank muss verschlossen gehalten und der Schlüssel von Kindern fern gehalten werden.

## Bestimmungsgemäßer Gebrauch

Dieses Gerät ist ausschließlich für das Kühlen und Lagern von Lebensmitteln und Getränken im Gewerbe konzipiert.

# Bedienelemente

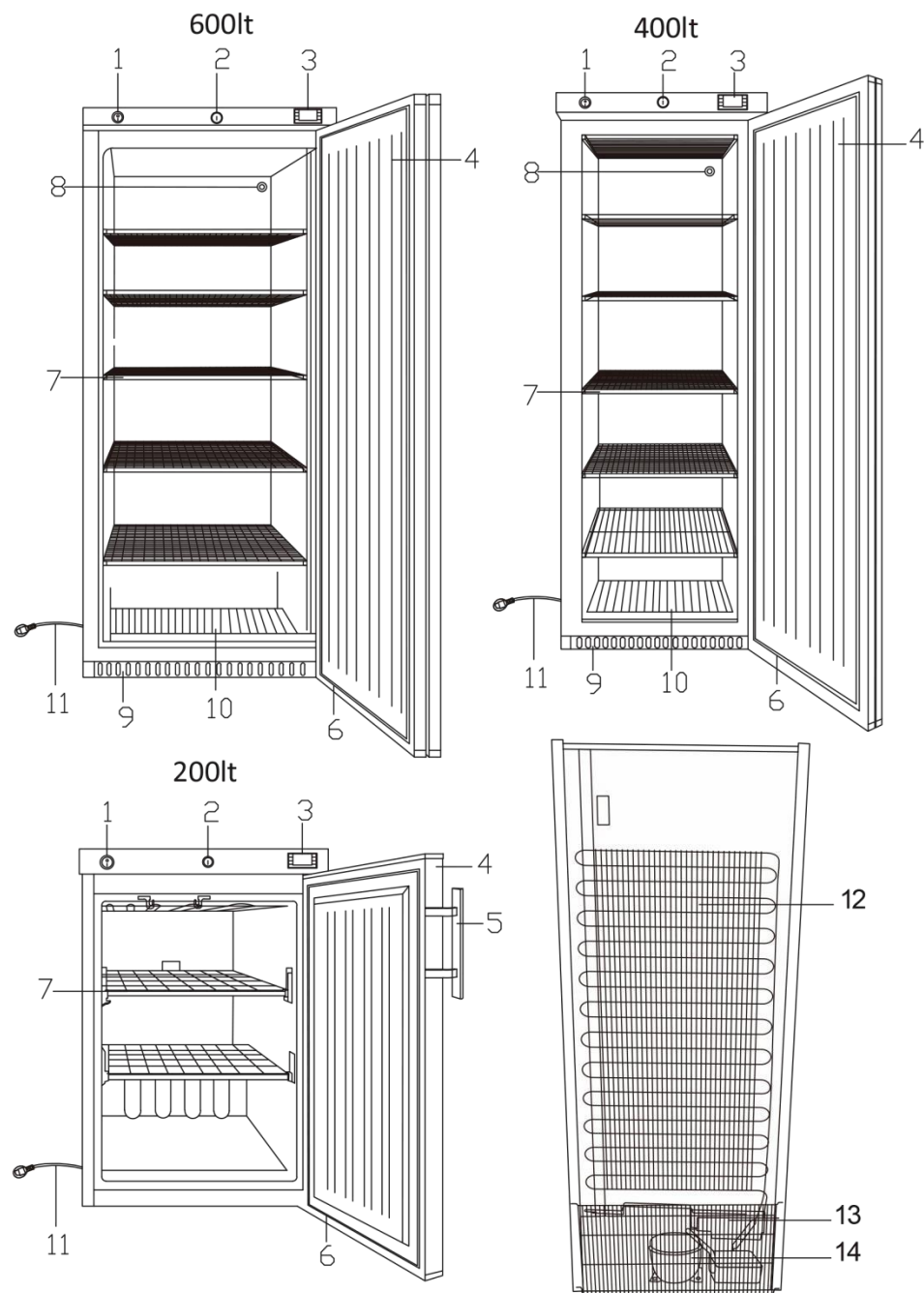
## Kühlschrank



- |                               |                           |
|-------------------------------|---------------------------|
| 1. Ein-/Ausshalter (Optional) | 8. Ventilator             |
| 2. Schloss                    | 9. Untere Frontblende     |
| 3. Temperaturregler           | 10. Unteres Einschubregal |
| 4. Tür                        | 11. Stromstecker          |
| 5. Türgriff                   | 12. Kondensator           |
| 6. Türdichtung                | 13. Kondensatorlüfter     |
| 7. Einschubregal              | 14. Kompressor            |

# Bedienelemente

## Gefrierschrank



- |                                |                          |
|--------------------------------|--------------------------|
| 1. Ein-/ Ausschalter(Optional) | 8. Druckventil           |
| 2. Schloss                     | 9. Untere Frontblende    |
| 3. Temperaturregler            | 10. Unteres Einschubrega |
| 4. Tür                         | 11. Stromstecker         |
| 5. Türgriff                    | 12. Kondensator          |
| 6. Türdichtung                 | 13. Kondensatorlüfter    |
| 7. Einschubregal               | 14. Kompressor           |

# Platzierung und Installation

Das Gerät sollte in einem trockenen und ausreichend belüfteten Raum aufgestellt werden. Um eine optimale Funktionstätigkeit zu gewährleisten, sollte das Gerät nicht direktem Sonnenlicht ausgesetzt oder nahe Wärme entwickelnder Geräte positioniert werden. Bitte beachten Sie, dass die ideale Umgebungstemperatur bei zwischen 16 °C und 35 °C liegt.

**Kühlschrank, Gefrierschrank:** In einem Umfeld mit hoher Luftfeuchtigkeit, kann zusätzliche Ausrüstung zur Verdunstung des Tauwassers in dem Becken nahe dem Kompressor erforderlich sein. Das Gerät kann freistehend an einer Wand platziert werden.

## **Wichtig!**

Stellen Sie sicher, dass eine ausreichende Belüftung unterhalb, über und hinter dem Gerät gewährleistet ist. Die Gerätefüsse unten und die Abstandshalter hinten gewährleisten genügend Platz zur Luftzirkulation.

- Packen Sie das Gerät aus. Achten Sie darauf, dass Kunststoffschutzfolien und Schutzschichten vollständig von allen Oberflächen entfernt werden. Um Verletzungen zu vermeiden und Beschädigungen des Gerätes vorzubeugen, sollte dieses von zwei Personen ausgepackt und montiert werden.
- Richten Sie das Gerät durch Justieren der Schraubfüße aus. Zur Vermeidung von Vibration und Geräuschentwicklung sollte das Gerät auf ebenem, festem Untergrund oder auf einem speziellen Sockel aufgestellt werden.
- Stromzufuhr und Spannungsversorgung müssen mit den Angaben auf dem Typenschild des Gerätes übereinstimmen. Der Netzstecker muss nach der Installation frei zugänglich sein.
- Stecken Sie den Netzstecker ordnungsgemäß ein und aus. Der Netzstecker muss fest in die Steckdose gesteckt werden. Beim Ausstecken halten Sie mit einer Hand die Steckdose und ziehen den Stecker mit der anderen Hand heraus. Ziehen Sie den Stecker niemals am Kabel heraus.
- Wenn das Gerät über einen längeren Zeitraum nicht benutzt wird, schalten Sie es aus und ziehen Sie den Netzstecker. Reinigen Sie das Gerät und lassen Sie die Tür offen stehen, um Geruchsbildung zu vermeiden. Wichtig! Achten Sie zu Ihrer Sicherheit darauf, dass das Gerät ordnungsgemäß geerdet ist! Das Kabel dieses Gerätes besitzt eine Erdungsleitung sowie einen Schukostecker. Stecken Sie den Netzstecker in eine ordnungsgemäß geerdete und installierte Steckdose. Ziehen Sie einen qualifizierten Elektriker oder Kundendienst zu Rate, falls bei den Erdungsvorschriften Unklarheiten bestehen. Sollten Zweifel zur ordnungsgemäßen Erdung des Gerätes bestehen, lassen Sie den Stromkreislauf von einem qualifizierten Elektriker prüfen.
- Sollte das Netzkabel nicht bis zur nächstgelegenen Steckdose reichen, verändern Sie entweder den Aufstellort oder lassen Sie von einem Elektriker eine Steckdose in der Nähe des Gerätes installieren.
- Warten Sie bei einem Stromausfall mindestens 3 Minuten bevor Sie das Gerät wieder einschalten, um eine Beschädigung des Kompressors zu vermeiden.

**Hinweis:** Sollte das Gerät nicht in aufrechter Position gelagert oder transportiert worden sein, lassen Sie es vor der Inbetriebnahme ca. 12 Stunden aufrecht stehen.

**Hinweis:** Reinigen Sie die Regale und das Innere des Gerätes vor der ersten Inbetriebnahme mit Seifenwasser.

## Stromanschluss

Das Gerät ist für den Anschluss an Wechselstrom konzipiert. Sowohl Spannung (V) als auch Frequenz (Hz) sind auf dem Typenschild im Geräteinneren angezeigt. Der Anschluss an das Stromnetz geschieht durch einen dreipoligen Stecker. Jegliche Anforderungen zur Erdung für die lokale Stromversorgung müssen eingehalten werden. Der Stecker und die Wandsteckdose müssen geerdet sein. Falls Sie dennoch Zweifel an der Richtigkeit der Erdung haben, kontaktieren Sie Ihren Anbieter oder autorisierten Elektriker.

**Warnung! Dieses Gerät muss geerdet werden.**

Das flexible Stromkabel dieses Gerätes ist dreiadrig und für 3-polige Steckdose ausgerichtet. Falls ein B.B. 1363 (13 Ampere) Stecker mit Sicherung benutzt wird, muss dieser mit einer 13 Ampere Sicherung ausgestattet sein oder einem ausgeformten rechtwinkligen Schukostecker. Beachten Sie das Metallplättchen mit Loch oberhalb der zwei Anschlussstifte – dieses lässt sich an französische und belgische Steckdosen anschließen, bei denen eine Erdkontaktfeder herausragt. Andere europäische Länder benutzen eine Steckdose mit einem Schutzkontakt, der aus der Seite hervortritt und auf die Kontaktflächen des Steckers trifft. Dies garantiert, dass der Schukostecker in den meisten Ländern auf dem europäischen Festland benutzt werden kann.

**Wichtig:**

Die Kabel in dem Hauptversorgungsnetz sind nach folgendem Code gefärbt:

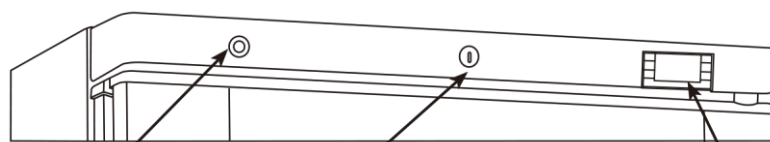
Grün-gelb: Erde / Schutzleiter

Blau: Nulleiter

Braun: Phase

Die Farben der Kabel im Netzkabel dieses Gerätes stimmen möglicherweise nicht mit der Farbmarkierung der Pole des Netzsteckers überein. Das grün-gelbe Kabel muss an den Pol im Stecker angeschlossen werden, der mit in den mit 'E' oder mit dem 'Erde' Symbol markiert ist oder an den, der grün-gelb gefärbt ist. Das blaue Kabel muss mit dem Pol mit dem Buchstaben 'N', oder mit dem schwarz gefärbten Pol verbunden werden. Das braune Kabel muss mit dem rot markierten Pol oder dem mit dem "L" beschrifteten Pol verbunden werden.

## Inbetriebnahme



Ein-/ Ausschalter  
(Optional)

Schloss

Thermostatanzeige

Schließen Sie das Gerät an das Stromnetz an.

Die Anzeige zeigt die aktuelle Innenraumtemperatur des Gerätes an.

**Wartung:** Vergewissern Sie sich, dass das Gerät vollständig vom Stromnetz getrennt worden ist, bevor elektrische Teile gewartet werden.



# Bedienung

## Aufbewahrung von Lebensmitteln

Halten Sie die folgenden Hinweise ein, um ein bestmögliches Ergebnis zu erzielen:

- Füllen Sie das Gerät erst dann mit Lebensmitteln, wenn es die gewünschte Betriebstemperatur erreicht hat.
- Stellen Sie niemals unverschlossene heiße Speisen oder Flüssigkeiten in das Gerät.
- Lebensmittel sollten immer gut verpackt oder abgedeckt sein.
- Die Ventilatoren im Inneren des Gerätes dürfen nicht blockiert sein.
- Vermeiden Sie Türöffnungen über längere Zeiträume.
- Lagern Sie Lebensmittel im Gerät in entsprechenden Behältern. Lebensmittel sollten nicht unverpackt im Gerät gelagert werden.

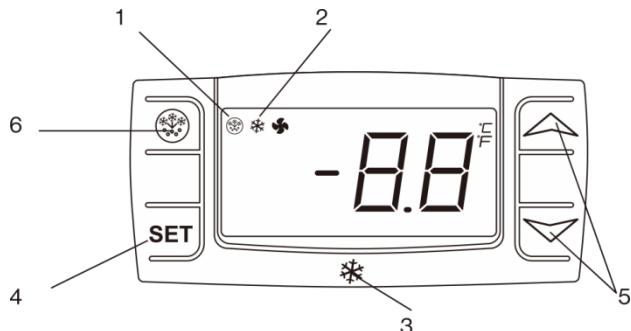
## Das Gerät einschalten

- Schließen Sie die Tür des Gerätes.
- Der Netzschalter muss sich in der Position [O] befinden. Stecken Sie den Netzstecker in eine geeignete Steckdose.
- Schalten Sie den Netzschalter auf die Position [I]. Die gegenwärtige Temperatur im Geräteinneren wird angezeigt.
- Das ❄️ auf dem Bedienfeld blinkt, um die Verzögerung des Kompressorstarts anzuzeigen.

## Temperatureinstellung und Bedienpanel (Dixell)

Das Bedienpanel des Thermostats:

1. Abtau-Anzeige
2. Kompressor-Betriebsanzeige
3. Digitales Thermostat
4. Programmieraste (nurfür  
Wartungstechniker)
5. Temperaturtasten
6. Manuelles Abtauen



## Eingestellte Temperatur ablesen

- Drücken Sie einmal kurz die SET-Taste. Der Sollwert wird angezeigt.
- Drücken Sie die SET-Taste erneut und lassen Sie sie sofort los oder warten Sie für 15 Sekunden damit die normale Betriebsanzeige wieder erscheint.

## Eingestellte Temperatur verändern

- Halten Sie die SET-Taste für mehr als zwei Sekunden gedrückt, um einen neuen Wert einzustellen.
- Der Temperaturwert wird angezeigt und das „°C“ beginnt zu blinken.
- Um den eingestellten Wert zu ändern, drücken Sie die „ ^ ” (erhöhen) oder “ ∨ ” (verringern) Tasten innerhalb von 15 Sekunden.
- Um den neuen Temperaturwert zu speichern, drücken Sie entweder die SET-Taste erneut oder warten Sie 15 Sekunden.

## Automatisches Abtauen

- Das Gerät führt automatische Abtauvorgänge durch.

**Hinweis: Die Abtau-Zeitschaltung beginnt mit der ersten Inbetriebnahme des Gerätes.**

# Bedienung

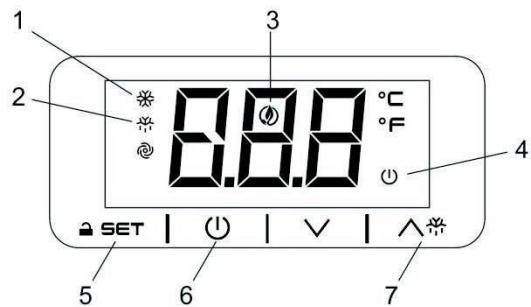
## Manuelles Abtauen:

- Drücken und halten Sie die Abtau-Taste  5 Sekunden lang.
- Der Abtauvorgang beginnt umgehend und die Abtauungs-LED leuchtet auf.

## Temperatureinstellung und Bedienpanel (EVCO)

Das Bedienpanel des Thermostats:

1. Kompressorfunktionsindikator
2. Abtauindikator
3. Energiesparindikator
4. Stand By Indikator
5. SET Taste
6. Ein -/ Aus Taste (gedrückt halten)
7. Abtautaste (gedrückt halten)

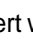

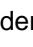


### Gesperrte Tasten freigeben („LOC“ Hinweis)

- Um die Tastatur freizugeben drücken Sie eine beliebige Taste für mindestens 2 Sekunden. Sobald die Tastatur freigegeben ist erscheint der Hinweis „UnL“

**Hinweis:** Die Tastatur sperrt sich automatisch nach 30 Sekunden Inaktivität. Bevor Sie eine der folgenden Einstellungen vornehmen müssen Sie die Tastatur entsperren

Eingestellte Temperatur ablesen/ verändern


- Drücken Sie einmal kurz die SET-Taste.
- Der Temperaturwert wird angezeigt und das „“ beginnt zu blinken.
- Um den eingestellten Wert zu ändern, drücken Sie die „“ (erhöhen) oder „“ (verringern) Tasten innerhalb von 20 Sekunden.
- Um den neuen Temperaturwert zu speichern, drücken Sie entweder die SET-Taste erneut oder warten Sie 20 Sekunden

### Automatisches Abtauen

- Das Gerät führt automatische Abtauvorgänge durch.


**Hinweis:** Die Abtau-Zeitschaltung beginnt mit der ersten Inbetriebnahme des Gerätes.

### Manuelles Abtauen:

- Drücken und halten Sie die Abtau-Taste „“ 3 Sekunden lang.
- Der Abtauvorgang beginnt umgehend und die Abtauungs-LED leuchtet auf.

**Hinweis:** Beim manuellen Abtauen wird die Abtau-Zeitschaltung automatisch zurückgesetzt.

Das Gerät in den Stand By Modus schalten:

- Halten Sie die Stand By Taste „“ 4 Sekunden lang gedrückt.
- Während des Gedrückthaltens blinkt die Stand By LED um einen Statuswechsel anzuzeigen

## Abtauen

**Refrigerator:** Automatisches Abtauen mit automatischer Tauwasserverdunstung

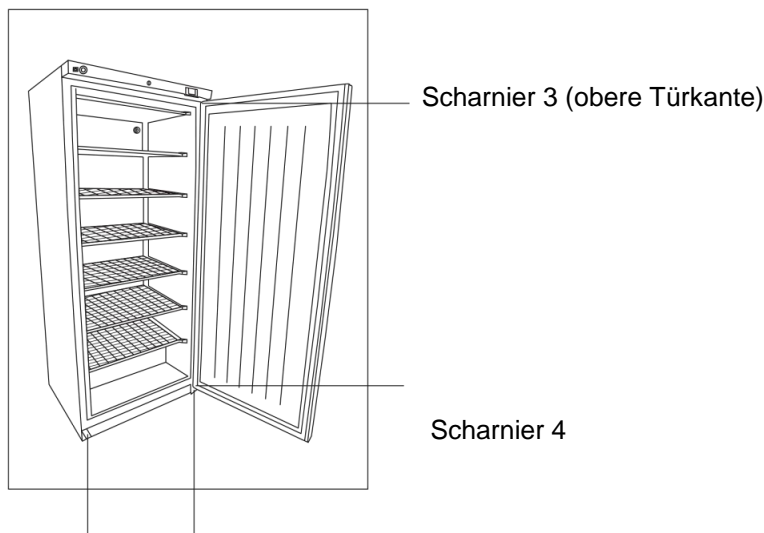
**Gefrierschrank:** Manuelles Abtauen durch Ausschalten und Ziehen des Netzsteckers. Den Gefrierschrank vorher leeren und warten bis das Eis im Inneren geschmolzen ist. Das Tauwasser ist aufzufangen.

## Wechseln des Türanschlages

Die Tür kann sowohl rechts- als auch linksöffnend installiert werden.

Bitte gehen Sie beim Wechseln des Türanschlages wie folgt vor:

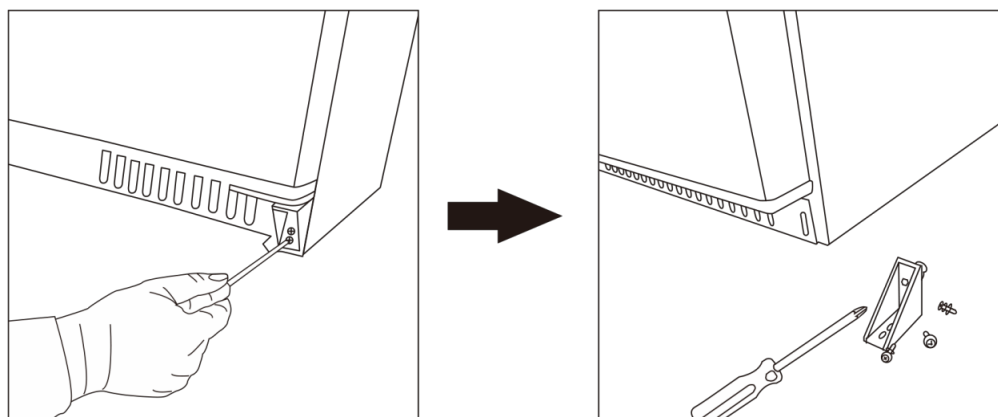
1. Das Gerät am Netzschalter ausschalten und von der Stromversorgung trennen.



Scharnier 1\*    Scharnier 2  
(siehe Anmerkung)

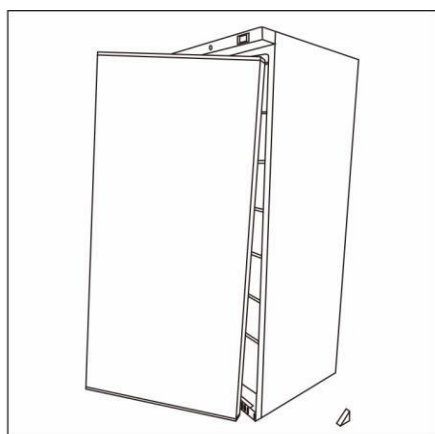
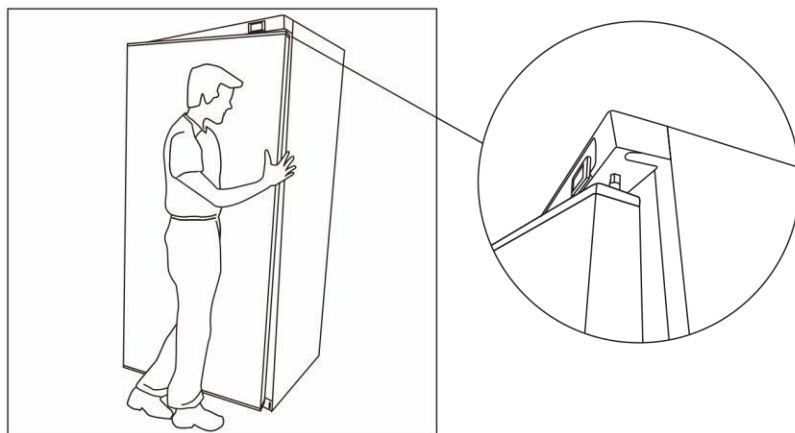
\*Anmerkung: Verfügt über eine kleine Rolle, die das Schließen der Tür erleichtert und die als Stütze der Tür fungiert.

2. Scharnier 2 entfernen

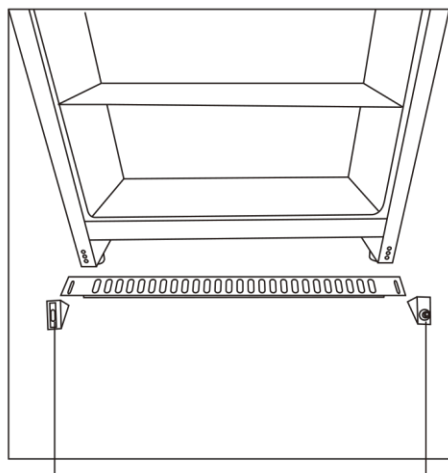
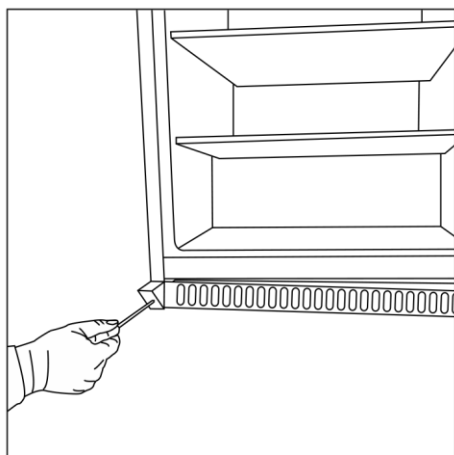


# Wechseln des Türanschlages

## 3. Die Tür herausnehmen



## 4. Scharnier 1 entfernen

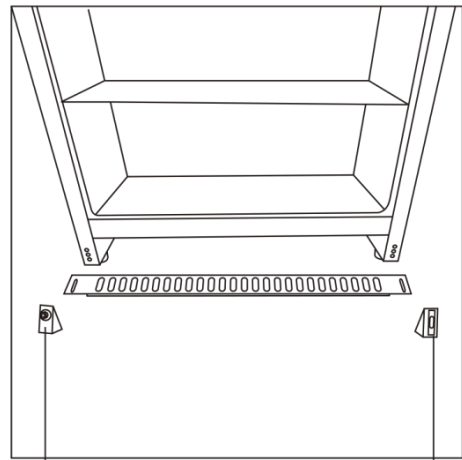
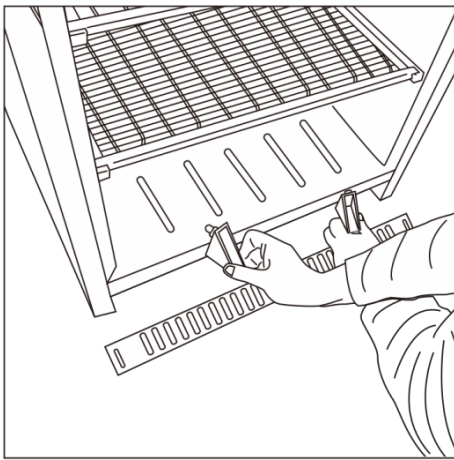


Scharnier 1

Scharnier 2

# Wechseln des Türanschlages

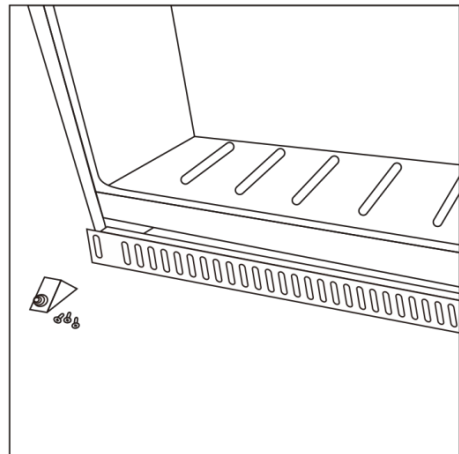
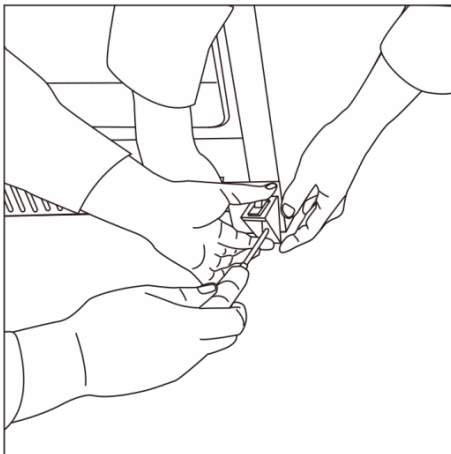
5. Die Position der Scharniere 1 und 2 vertauschen



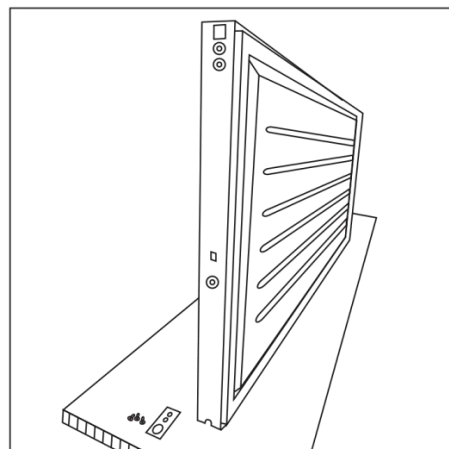
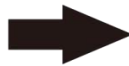
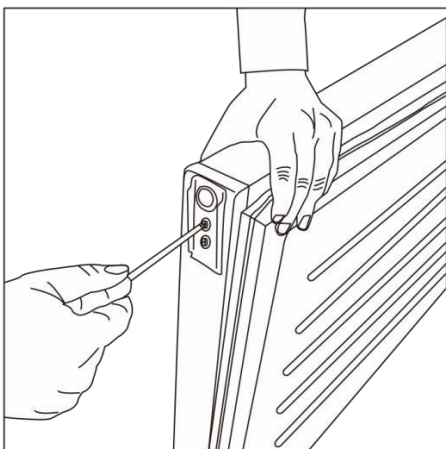
Scharnier2

Scharnier 1

6. Scharnier 1 befestigen

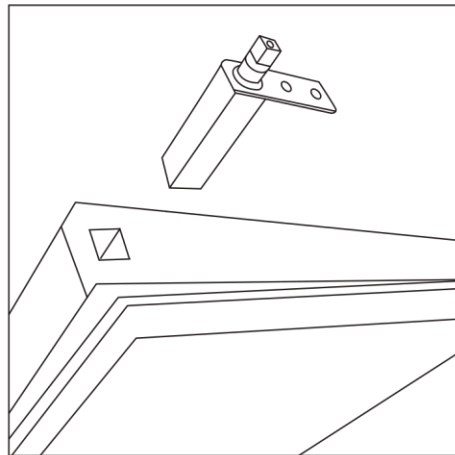
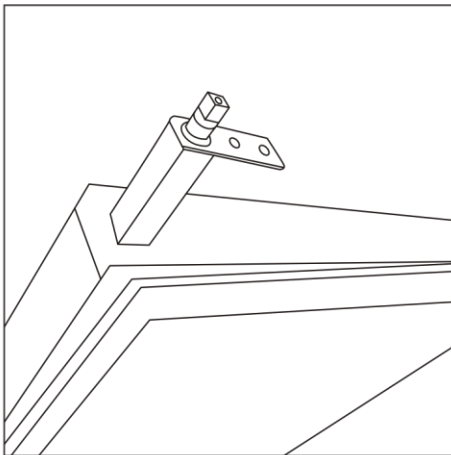
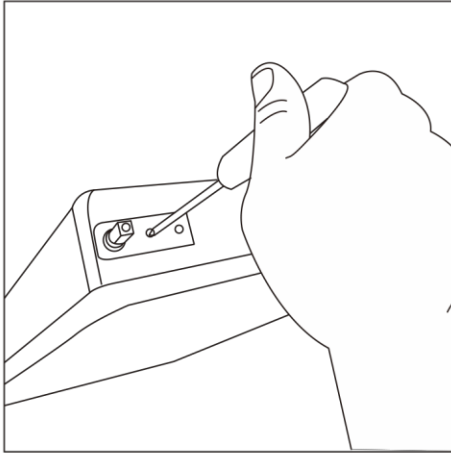


7. Scharnier 4 (untere Türkante) entfernen

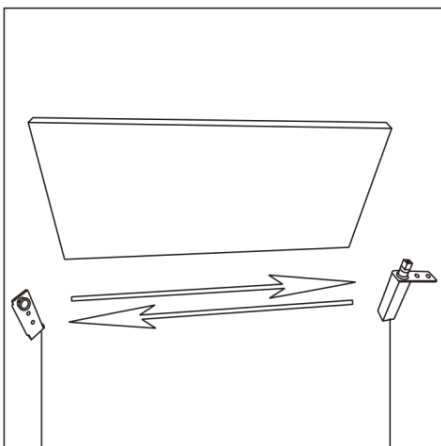


# Wechseln des Türanschlages

8. Scharnier 3 (obere Türkante) entfernen

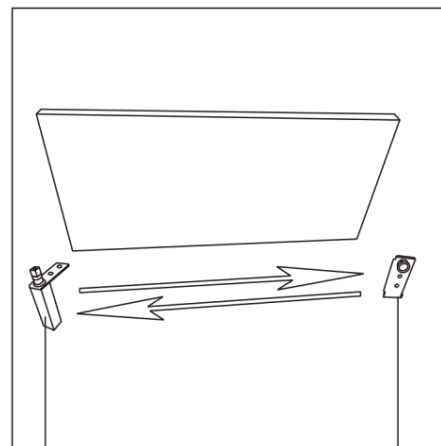


9. Die Position der Scharniere 3 und 4 vertauschen



Scharnier4

Scharnier3

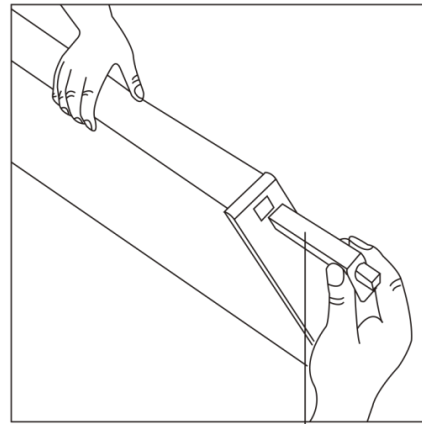
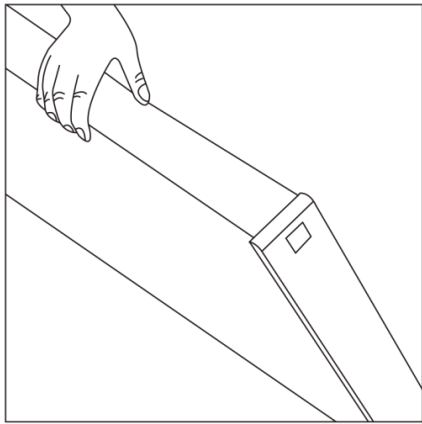


Scharnier3

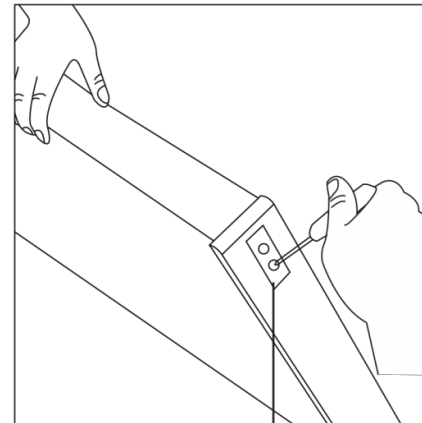
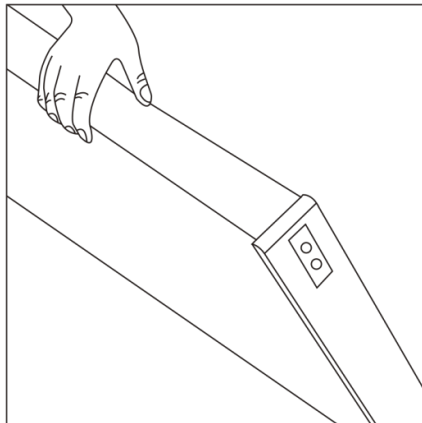
Scharnier 4

## Wechseln des Türanschlages

### 10. Scharniere 3 und 4 an der Tür befestigen

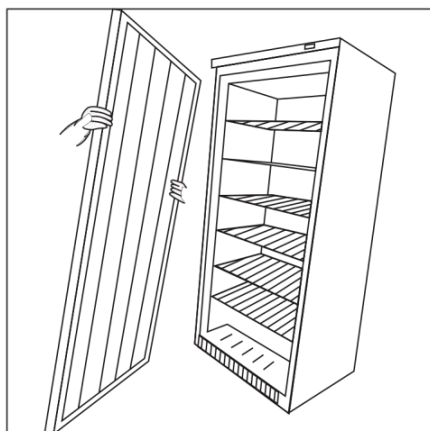


Scharnier 3

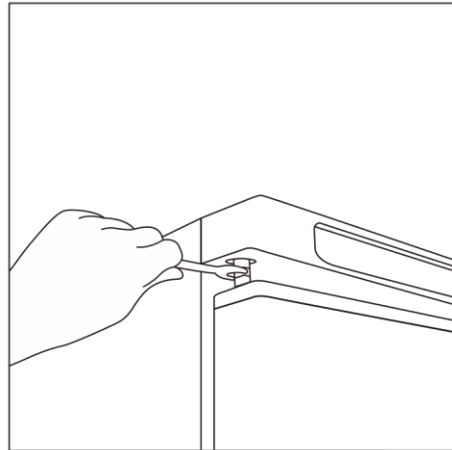
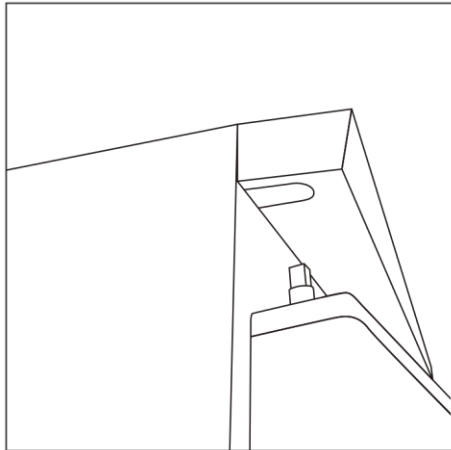


Scharnier 4

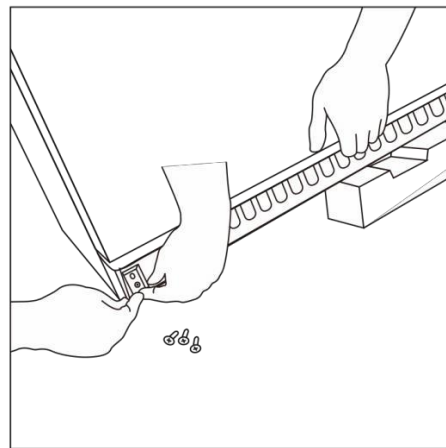
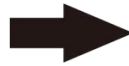
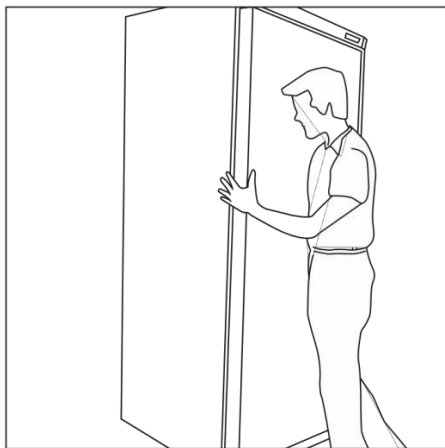
### 11. Die Tür umdrehen und am oberen Scharnier einhängen



## Wechseln des Türanschlages



### 12. Scharnier 2 befestigen





# Reinigung, Pflege und Wartung

Vor der Reinigung muss das Gerät vollständig vom Stromnetz getrennt werden!

Der Kühlschrank sollte mit einer milden Seifenlösung gesäubert werden. Verwenden Sie keine Reinigungsmittel, die Kratzer verursachen können. Die Plastikteile halten kochendem Wasser nicht stand (Höchsttemperatur +85 °C). Bei der routinemäßigen Reinigung säubern Sie bitte auch die Gummidichtung an der Tür um sicherzustellen, dass jegliche klebrige Substanzen entfernt worden sind, die ansonsten die Dichtung beschädigen könnten. Der Luftauslass der Kondensatorbelüftung über dem Kompressor muss frei von Blättern, Papier und ähnlichem sein, um einen störungsfreien Betriebseinsatz zu gewährleisten. Der Kondensator auf der Rückseite des Kühlschranks muss regelmäßig gesäubert werden - idealerweise mit Staubsauger und Bürste.

## Routinemäßige Wartung

**Schalten Sie das Gerät vor der Reinigung aus und ziehen Sie den Netzstecker.**

- Reinigen Sie das Gehäuse und das Innere des Gerätes so oft wie möglich.
- Wischen Sie das Gerät mit einem feuchten Tuch ab. Achten Sie darauf, dass Schalter, Bedienfeld, Kabel und Netzstecker nicht nass werden.
- Verwenden Sie zur Reinigung keine aggressiven Reinigungsmittel. Diese könnten schädliche Rückstände hinterlassen. Verwenden Sie ausschließlich mildes Seifenwasser.
- Reinigen Sie die Türdichtung nur mit Wasser.
- Achten Sie darauf, dass Reinigungswasser niemals in elektrische Gerätekomponenten dringt.
- Reinigen Sie das Gerät niemals mit einem Hochdruckreiniger.
- Wischen Sie das Gerät nach der Reinigung mit einem weichen Lappen trocken.
- Reinigen Sie die Geräterückseite vorsichtig.
- Reparaturen müssen von einem Kundendienst oder einem qualifizierten Fachmann durchgeführt werden.
- Wenn das Gerät über einen längeren Zeitraum nicht verwendet wird, stellen Sie den Netzschalter in die Position AUS und ziehen Sie den Netzstecker. Leeren Sie alle Kühlfächer und reinigen Sie das Gerät gründlich. Lassen Sie die Tür auf um Geruchs- und Schimmelbildung zu vermeiden.

# Fehlerbehebung

Störung	Mögliche Ursache	Fehlerbehebung
Der Gerät funktioniert nicht.	Das Gerät ist nicht eingeschaltet.	Check the unit is plugged in correctly and switched on
	Stecker oder Kabel sind beschädigt.	Kontaktieren Sie einen unserer Mitarbeiter oder einen qualifizierten Techniker
	Sicherung im Stecker beschädigt	Kontaktieren Sie einen unserer Mitarbeiter oder einen qualifizierten Techniker
	Energieversorgung	Überprüfen Sie die Energieversorgung
Der Kühlschrank lässt sich einschalten, doch die Temperatur ist zu niedrig/hoch.	Zu viel Eis im Verdampfer	Tauen Sie den Kühlschrank ab.
	Der Kondensator wird durch Staub blockiert.	Säubern Sie den Kondensator.
	Die Tür ist nicht richtig geschlossen.	Vergewissern Sie sich, dass die Tür geschlossen und dass die Dichtung nicht beschädigt ist.
	Das Gerät befindet sich nahe einem Wärme erzeugenden Gerät oder die Luftzufuhr zum Kondensator ist unterbrochen.	Finden Sie einen geeigneteren Aufstellungsort für den Kühlschrank.
	Die Umgebungstemperatur ist zu hoch.	Erhöhen Sie die Belüftung oder stellen Sie den Kühlschrank an einem kühleren Ort auf.
	Ungeeignete Nahrungsmittel werden im Gerät gelagert. Entfernen Sie überschüssige, heiße Lebensmittel oder Blockierungen zum Lüfter	Entfernen Sie überschüssige, heiße Lebensmittel oder Blockierungen zum Lüfter.
	Der Kühlschrank ist überladen.	Reduzieren Sie die gelagerten Nahrungsmittel im Gerät.
Das Gerät verliert Wasser.	Das Gerät ist nicht ebenerdig aufgestellt.	Passen Sie die Schraubfüße des Kühlschranks so an, dass das Gerät waagrecht steht.
	Der Abfluss ist blockiert.	Reinigen Sie die Abflussöffnung
	Der Wasserfluss zum Abfluss ist blockiert	Reinigen Sie den Geräteboden (wenn zutreffend)
	Der Wasserbehälter ist defekt.	Kontaktieren Sie einen unserer Mitarbeiter oder einen qualifizierten Techniker
	Der Wasserbehälter ist voll.	Leeren Sie den Wasserbehälter
Der Kühlschrank ist ungewöhnlich laut.	Muttern/ Schrauben lose.	Überprüfen Sie alle Muttern und Schrauben und ziehen Sie diese fest.
	Das Gerät ist nicht ebenerdig aufgestellt	Prüfen Sie den Standort und ändern Sie diesen, wenn notwendig

# Entsorgung

Wenn das Gerät nicht mehr gebraucht wird, entsorgen Sie es bitte umweltgerecht. Möglicherweise müssen besondere Auflagen beachtet werden. Bitte informieren Sie sich über den korrekten Entsorgungsweg des Kühlgerätes bei.

- Ihrem Anbieter
- Den Behörden (Ihre Gemeindeverwaltung, das Umweltministerium, etc.)



## Entsorgung

Alt-Elektrogeräte sind Wertstoffe, sie gehören daher nicht in den Hausmüll! Wir möchten Sie daher bitten, uns mit Ihrem aktiven Beitrag bei der Ressourcenschonung und beim



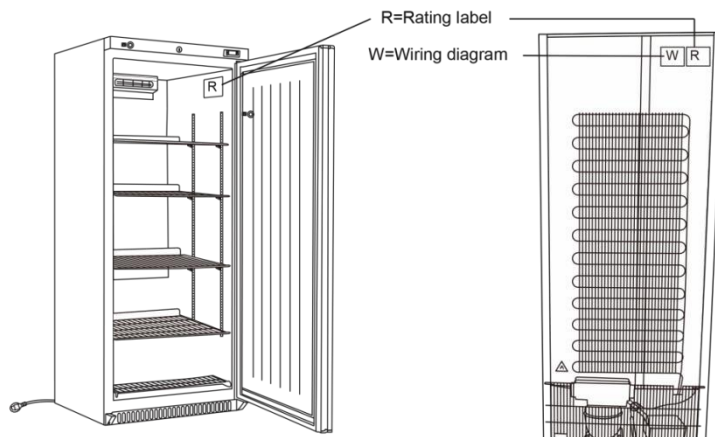
Umweltschutz zu unterstützen und dieses Gerät bei den -falls vorhanden- eingerichteten Rücknahmestellen abzugeben.

Entsorgen Sie die Verpackung gemäß den geltenden gesetzlichen Bestimmungen.

# Technische Daten

Modell	Kühlschrank			Gefrierschrank		
	200lt	400lt	600lt	200lt	400lt	600lt
Klimaklasse	3	3	3	3	3	3
Kühlmittel	Die genauen technischen Daten Ihres Geräts finden Sie auf dem im Typenschild. Dieses finden Sie auf der Rückseite Ihres Geräts sowie Inneren des Geräts.  Der Schaltplan ist ebenfalls auf Rückseite und sowie Inneren des Geräts angebracht.					
Kühlmittelmenge						
Temperaturbereich(°C)						
Nennleistung						
Nennfrequenz						
Nennspannung						
Innere Kapazität						
Nettogewicht						
Bruttogewicht						
Außenabmessung (mm)						
Schäumungsmittel	CP			CP		

Technische Details sowie den Schaltplan Ihres Geräts finden Sie auf dem Typenschild auf der Rückseite des Produkts.



## Technische Daten



VORSICHT: FEUER- UND EXPLOSIONSGEFAHR MIT BRENNBAREM



KÜHLMITTEL R600a/R290.

## Gewährleistung

Für dieses Produkt gilt die gesetzliche Gewährleistung.

Schäden, die durch unsachgemäße Behandlung oder Bedienung, durch falsches Aufstellen oder Aufbewahren, durch unsachgemäßen Anschluss oder Installation, sowie durch höhere Gewalt oder sonstige äußere Einflüsse entstehen, fallen nicht unter die Gewährleistung. Falls produktspezifische Hinweise beiliegen, empfehlen wir dringend diese zu lesen und zu beachten. A statutory warranty applies for this product.

### Hinweise:

1. Sollte Ihr Produkt nicht mehr richtig funktionieren, prüfen Sie bitte zunächst, ob andere Gründe, wie z. B. eine unterbrochene Stromversorgung (insofern es sich um ein elektronisches Gerät handelt) oder generell eine falsche Handhabung, die Ursache sein könnten.
2. Beachten Sie bitte, dass Sie Ihrem defekten Produkt nach Möglichkeit folgende Unterlagen bzw. Informationen beifügen oder diese bereithalten:
  - Kaufquittung
  - Gerätebezeichnung / Typ / Marke
  - Beschreibung des aufgetretenen Mangels mit möglichst genauer Fehlerangabe

Bei Gewährleistungsansprüchen oder Störungen wenden Sie sich bitte an Ihre Einkaufsstätte.

GWL 8/14 DE