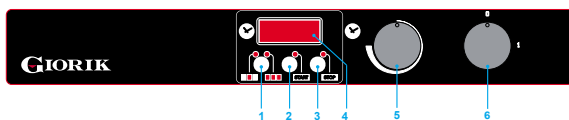


# SH30

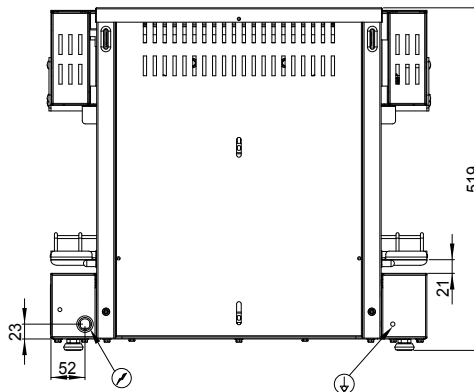
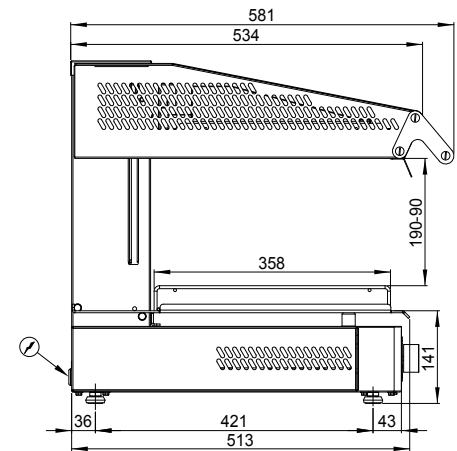
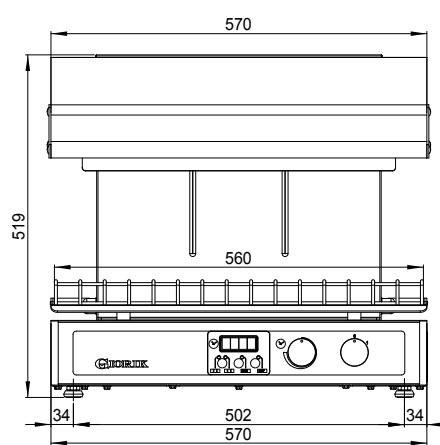
# FAST SALAMANDERS HI-LITE



- Exclusive patented heating system.
- Cooktop in stainless steel grill.
- Wall support standard on all units.



- 1 On/Off button for the heating elements.
- 2 Cooking cycle start/stored cycle repetition button
- 3 Cooking cycle stop/acoustic signal silencing.
- 4 Digital display.
- 5 timer programming knob(from 1' to 15' in 15"steps).
- 6 On/off knob.



## GENERAL TECHNICAL DATA

Package dimension (wxdxh)	cm 68x65x73
Package volume	m <sup>3</sup> 0,32
Weight	kg 69
Oven chamber power	-
Absorbed power	kW 4,5
Power supply voltage	3N 400V 50Hz
Chamber capacity	-
Distance between trays	-
Cooking chamber net dimensions(wxdxh)	-