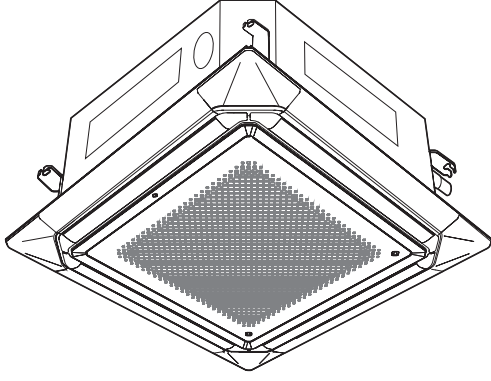


OPERATING MANUAL



MODEL:

- * Please write down the model name.
- * Bitte schreiben Sie den Modellnamen auf.
- * Veuillez écrire le nom du modèle.
- * Anote el nombre de modelo.
- * Annotare il nome del modello.
- * Καταγράψτε το όνομα μοντέλου.
- * Registe o nome de modelo.
- * Запишите название модели.
- * Lütfen model adını not ediniz.

OPERATING MANUAL AIR CONDITIONER (Cassette type)

Before using this product, read these instructions thoroughly and keep this manual for future reference.

BEDIENUNGSANLEITUNG KLIMAANLAGE (Kassetentyp)

Bevor Sie dieses Produkt verwenden, lesen Sie diese Anweisungen sorgfältig durch und bewahren Sie diese Anleitung für späteres Nachschlagen auf.

MODE D'EMPLOI CLIMATISEUR (Type cassette)

Avant d'utiliser ce produit, veuillez lire attentivement ces instructions. Conservez ce manuel pour référence future.

MANUAL DE FUNCIONAMIENTO ACONDICIONADOR DE AIRE (Tipo casete)

Antes de utilizar el producto, lea estas instrucciones detenidamente y conserve este manual para consultarlo en el futuro.

MANUALE DI ISTRUZIONI CONDIZIONATORE D'ARIA (Tipo a cassetta)

Prima di utilizzare l'apparecchio, leggere attentamente le presenti istruzioni e conservare il manuale per poterlo consultare in futuro.

ΕΓΧΕΙΡΙΔΙΟ ΛΕΙΤΟΥΡΓΙΑΣ ΚΛΙΜΑΤΙΣΤΙΚΟ (Τύπος κασέτας)

Προτού χρησιμοποιήσετε το προϊόν, διαβάστε προσεκτικά τις παρούσες οδηγίες και φυλάξτε το παρόν εγχειρίδιο, ώστε να μπορείτε να ανατρέχετε σε αυτό στο μέλλον.

MANUAL DE FUNCIONAMENTO AR CONDICIONADO (Tipo casete)

Antes de utilizar este produto, leia atentamente estas instruções e guarde este manual para referência futura.

РУКОВОДСТВО ПО ЭКСПЛУАТАЦИИ КОНДИЦИОНЕР ВОЗДУХА (кассетного типа)

Перед эксплуатацией устройства внимательно ознакомьтесь с данным руководством и сохраняйте его для использования в будущем.

KULLANIM KILAVUZU KLİMA (Kaset tipi)

Bu ürünü kullanmadan önce verilen talimatları dikkatlice okuyun ve daha sonra tekrar faydalanmak üzere saklayın.

English

Deutsch

Français

Español

Italiano

Ελληνικά

Português

Русский

Türkçe



PART No. 9381622092

Contents

1. SAFETY PRECAUTIONS.....	1
2. NAME OF PARTS	2
3. BASIC OPERATIONS	3
4. AIRFLOW SETTINGS	3
4.1. Fan speed setting.....	3
4.2. Airflow direction setting	3
5. TIMER OPERATIONS	4
5.1. On timer or Off timer.....	4
5.2. Weekly timer.....	4
5.3. Program timer.....	4
5.4. Sleep timer	4
6. ENERGY SAVING OPERATIONS	4
6.1. Economy operation	4
6.2. Fan control for energy saving.....	4
6.3. Human sensor for energy saving (optional)	4
7. OTHER OPERATIONS	5
7.1. 10 °C Heat operation.....	5
8. CLEANING AND CARE.....	5
9. GENERAL INFORMATION	6
10. OPTIONAL PARTS	6
10.1. Remote control	6
10.2. Multiple remote controller	6
10.3. Group control.....	6
11. TROUBLESHOOTING	7

1. SAFETY PRECAUTIONS

To prevent personal injury or property damage, read this section carefully before you use this product, and be sure to comply with the following safety precautions.

Incorrect operation due to failure to follow the instructions may cause harm or damage, the seriousness of which is classified as follows:



WARNING

This mark warns of death or serious injury.



CAUTION

This mark warns of injury or damage to property.



This mark denotes an action that is PROHIBITED.



This mark denotes an action that is COMPULSORY.

Explanation of symbols displayed on the indoor unit or outdoor unit.



WARNING

This symbol shows that this product uses a flammable refrigerant. If the refrigerant is leaked and exposed to an external ignition source, there is a risk of fire.



CAUTION

This symbol shows that the operating manual should be read carefully.



CAUTION

This symbol shows that a service personnel should be handling this equipment with reference to the installation manual.



CAUTION

This symbol shows that information is available such as the operating manual or installation manual.



WARNING





- The appliance shall be installed, operated and stored in a room with a floor area larger than X m².

Amount of refrigerant charge M (kg)	Minimum room area X (m ²)
M ≤ 1.22	-
1.22 < M ≤ 1.23	1.45
1.23 < M ≤ 1.50	2.15
1.50 < M ≤ 1.75	2.92
1.75 < M ≤ 2.0	3.82
2.0 < M ≤ 2.5	5.96
2.5 < M ≤ 3.0	8.59
3.0 < M ≤ 3.5	11.68
3.5 < M ≤ 4.0	15.26



(IEC 60335-2-40)

- This product contains no user-serviceable parts. Always consult authorized service personnel for repairing, installation, and relocation of this product. Improper installation or handling will cause leakage, electric shock, or fire.
- In the event of a malfunction such as burning smell, immediately stop operation of the air conditioner, and disconnect all the power supply by turning off the electrical breaker or disconnecting the power plug. Then consult authorized service personnel.
- Take care not to damage the power supply cable. If it is damaged, it should be replaced only by the authorized service personnel in order to avoid a hazard.
- In the event of refrigerant leakage, be sure to keep away from fire or any flammables, and consult authorized service personnel.
- In the event of a thunder storm or any prior sign of a lightning strike, turn off the air conditioner via the remote controller, and refrain from touching the product or the power source to prevent any electrical hazards.
- This product shall be stored in a room without continuously operating ignition sources (for example: open flames, an operating gas appliance or an operating electric heater).
- This product shall be stored in a well-ventilated area.
- Be aware that refrigerants may not contain an odour.
- This product shall be stored so as to prevent mechanical damage from occurring.
- Disposing of the product shall be done properly, in compliance with national or regional regulations.


WARNING

-  During transportation or relocation of the indoor unit, pipes shall be covered with the wall hook bracket for protection.
Do not move this product by holding the indoor unit pipes. (The stress applied to the pipe joints may cause the flammable gas to leak during operation).
- This product is not intended for use by persons (including children) with reduced physical, sensory or mental capabilities, or lack of experience and knowledge, unless they have been given supervision or instruction concerning use of this product by a person responsible for their safety.
Children should be supervised to ensure that they do not play with this product.
-  Do not install the unit in area filled with mineral oil such as a factory or area containing a large amount of splashed oil or steam such as a kitchen.
- Do not start or stop the operation of this product by turning on or off the circuit breaker.
- Do not use flammable gases near this product.
- Do not expose yourself directly to the cooling airflow for many hours.
- Do not insert your fingers or any other objects into outlet port or inlet grille.
- Do not operate with wet hands.
- Do not use means to accelerate the defrosting process or to clean this product, other than those recommended by the manufacturer.
- Do not pierce or burn.

CAUTION

-  Provide occasional ventilation during use.
- Always operate this product with air filters installed.
- Ensure that any electronic equipment is at least 1 m (40 in) away from this product.
- Disconnect all the power supply when not using this product for extended periods.
- After a long period of use, ensure to get the mounting of the indoor unit checked to prevent this product from falling down.
- The airflow direction and the room temperature should be carefully considered when you use this product in a room with infants, children, elderly or sick persons
- Keep the surroundings of the outdoor unit clean and tidy, and do not place items around it. Any objects blocking or entering from the outlet ports may cause product malfunction.
-  Do not direct the airflow at fireplaces or heating apparatus.
- Do not block or cover the intake grille and the outlet port.
- Do not apply any heavy pressure to radiator fins.
- Do not climb on, place objects on, or hang objects from this product.
- Do not place any other electrical products or household belongings under this product. Dripping condensation from this product might get them wet, and may cause damage or malfunction of your property.
- Do not expose this product directly to water.
- Do not use this product for preservation of food, plants, animals, precision equipment, art work, or other objects. This may cause quality deterioration of those items.
- Do not expose animals or plants to the direct airflow.
- Do not drink the drainage from the air conditioner.
- Do not pull the power supply cable.

CAUTION

-  Do not touch the aluminum fins of heat exchanger built-in this product to avoid personal injury when you install or maintain the unit.
- Do not stand on unstable steps when operating or cleaning this product. It may overturn and can cause injury.

2. NAME OF PARTS

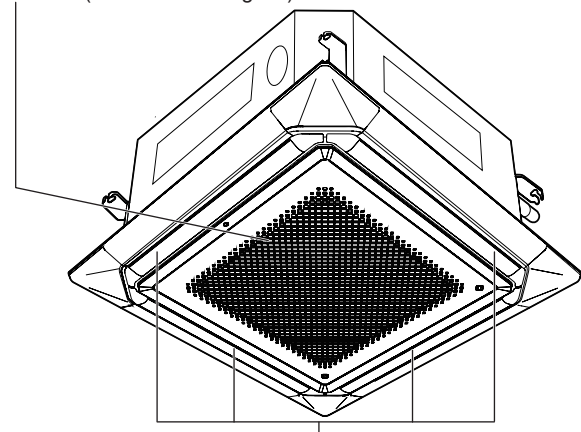
The remote controller is optional. You can select from the following types of remote control.

- Wireless remote controller
- Wired remote controller
- Wireless LAN control

To check the available model of remote controller, please consult authorized service personnel.

For detailed instructions on how to operate, please refer to the operating manual of the remote controller.

- Air intake grille
- Air filter (in the air intake grille)



Airflow direction outlet ^{*1)}

*1) You can set the each louver individually. (Optional wired remote controller is necessary.)

3. BASIC OPERATIONS

NOTES: For detailed instructions on how to operate, please refer to the operating manual of the remote controller.

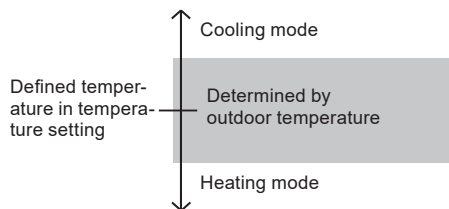
The operation mode and the temperature setting range are shown in the following table.

Operation mode	Temperature setting range
Auto	18.0 - 30.0 °C
Cooling	18.0 - 30.0 °C
Dry	18.0 - 30.0 °C
Fan	You cannot set the temperature.
Heating	16.0 - 30.0 °C

■ Auto mode

The air conditioner selects the appropriate operation mode (Cooling or Heating) according to your room's present temperature.

Room temperature	Operation
Higher than the setting temperature	Cooling
Close to the setting temperature	Determined by outdoor temperature
Lower than the setting temperature	Heating



When Auto mode is first selected, the fan will operate at low speed for about a few minutes, during which time the indoor unit detects the room conditions and selects the operation mode.

When the air conditioner has adjusted your room's temperature to near the thermostat setting, it will begin monitor operation.

In the monitor operation mode, the fan will operate at low speed. If the room temperature subsequently changes, the air conditioner will once again select the appropriate operation (Heating, Cooling) to adjust the temperature to the value set in the thermostat.

If the mode automatically selected by the unit is not what you wish, select one of the mode operation (Heating, Cooling, Dry, Fan).

■ Cooling mode

Use to cool your room.

NOTES: Set the temperature lower than the current room temperature, otherwise, the fan alone will operate.

■ Dry mode

Use for gently cooling while dehumidifying your room.

NOTES:

- You cannot heat the room.
- Set the temperature lower than the current room temperature, otherwise, the operation will not operate.
- The unit will operate at low speed in order to adjust room humidity. The indoor unit's fan may stop from time to time. Also, the fan may operate at very low speed when adjusting room humidity.
- The fan speed cannot be changed manually.

■ Fan mode

Use to circulate the air throughout your room.

NOTES: You cannot set the temperature.

■ Heating mode

Use to warm your room.

NOTES:

- Set the temperature higher than the current room temperature, otherwise, the operation will not operate.
- At the beginning of the operation, the indoor unit fan rotates at very low speed for 3-5 minutes to warm the internal indoor unit. After the period, the indoor unit fan will switch to the selected fan speed.
- When the room temperature is very low, frost may form on the outdoor unit, and its performance may be reduced. In order to remove such frost, the unit will automatically enter the defrost cycle from time to time. During Automatic defrosting operation, the Heating operation will be interrupted.
- After the start of Heating operation, it takes sometime before the room gets warmer.

4. AIRFLOW SETTINGS

NOTES: For detailed instructions on how to operate, please refer to the operating manual of the remote controller.

4.1. Fan speed setting

The fan speed changes as follows.



When Auto is selected, the fan speed is automatically adjusted according to the operation mode.

- Heating:** The fan will operate at very low speed when the temperature of the air issued from the indoor unit is low.
- Cooling:** As the room temperature approaches that of the set temperature, the fan speed becomes slower.
- Fan:** The fan runs at medium fan speed.

4.2. Airflow direction setting

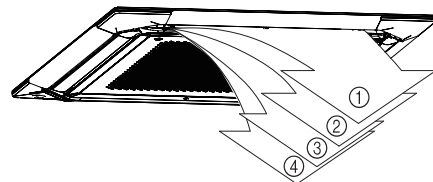
You can set the following items.

- Vertical airflow direction setting
- Swing operation setting (up/down)

NOTES: The Swing operation may stop temporarily when the indoor unit fan is rotating at very low speed or is stopped.

■ Vertical airflow direction

Comfortable airflow spread to every corner of the room by the wide vertical airflow.



Default setting	
Cooling, Dry	2
Heating	4
Change manually	1 ⇄ 2 ⇄ 3 ⇄ 4
Swing operation	
Cooling, Heating, Dry, Fan	1 ⇄ 2 ⇄ 3 ⇄ 4

NOTES:

- Do not adjust the airflow direction louvers by hand it could result in improper operation. In this case, stop operation and restart. The louvers should begin to operate properly again.
- During the Auto mode operation, for the first minute after beginning operation, airflow will be 2 and cannot be adjusted.
- Even if the airflow direction is set, it may operate at a different position in the following operation.
 - at the start of Heating operation
 - during the Automatic defrosting operation
 - during the Auto mode operation
- In the Auto or Heating mode, the airflow direction stay position 1 for a while from the start of the operation.
- When used in a room with infants, children, elderly or sick persons, the air direction and room temperature should be considered carefully when making settings.

Individual airflow direction control (optional)

Each louver can be set individually to provide comfortable airflow (optional wired remote controller is necessary).

When this function is used to set the louvers, it will be prioritized over other vertical airflow settings from other remote controllers or external devices. In order to change to other settings, disable the individual airflow direction control.

Horizontal airflow direction

This function cannot be used.

5. TIMER OPERATIONS

5.1. On timer or Off timer

The On timer starts the operation at your desired time.

The Off timer stops the operation at your desired time.

NOTES: Depending on the remote controller, this function may not be available.

5.2. Weekly timer

NOTES: This function is available only by the wired remote controller.

The Weekly timer enables you to set operation schedules up to 4 setting for each day of the week.

Use the Day off setting to switch off timed operation for a selected day in the coming week. Because all days can be set together, the Weekly timer can be used to repeat the timer settings for all of the days.

Temperature setting range

Auto, Cooling, or Dry mode:	18-30 °C *Even if you set to 10, 16, or 17 °C, the air conditioner will run at 18 °C.
Heating mode:	10 or 16-30 °C

- The operation modes will be the same as the mode at the last time operation was stopped. So Cooling → Heating → Cooling → Heating type of operations cannot be set automatically.
- If you set the On timer and Off timer on the same time, the On timer will work.
- If two On timers are set on the same time, the air conditioner will run in the order of the program number.
- You cannot the Weekly timer and the other timers simultaneously. If you use the On/Off timer, the Program timer, or the Sleep timer while the Weekly timer is activated, the Weekly timer will be deactivated. In such a case, activate the Weekly timer after the other timer finishes.

5.3. Program timer

NOTES: This function is available only when using the wireless remote controller.

The Program timer operates as the combination of the On timer and Off timer.

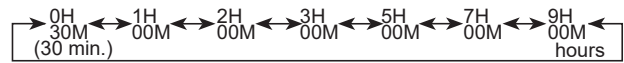
You can set the Program timer only within a span of 24 hours.

5.4. Sleep timer

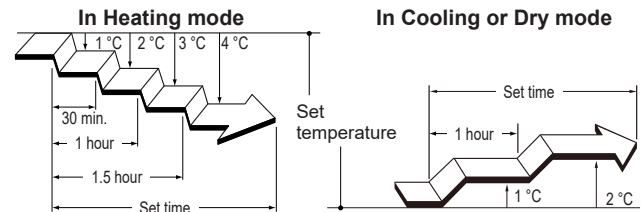
NOTES: This function is available only when using the wireless remote controller.

The Sleep timer supports your comfortable sleep by moderating the air conditioner operation gradually.

The time setting of the Sleep timer changes as follows:



During the Sleep timer operation, the setting temperature changes as the following figure.



After the set time has elapsed, the air conditioner operation turns off.

6. ENERGY SAVING OPERATIONS

6.1. Economy operation

It saves more electricity than other operation modes by changing the set temperature to a moderate setting.

Operation mode	Setting details
Cooling/Dry	The room temperature will be few degrees higher than the set temperature
Heating	The room temperature will be few degrees lower than the set temperature

NOTES:

- In the Cooling, Heating, or Dry mode, the maximum output of this operation is approximately 70 % of usual operation. If the room is not cooled or heated well during the Economy operation, select normal operation.
- This operation cannot be performed during the temperature monitoring by the Auto mode.

6.2. Fan control for energy saving

In the Cooling or Dry operation, when the room temperature reaches the set temperature, the indoor unit fan rotates intermittently to save power.

This function is on at the time of purchase.

To disable this function, refer to the operation manual of the remote controller.

Even if the setting is changed, if the fan speed is set to "AUTO" in Cooling or Dry mode, this function still works to suppress the diffusion of circulated indoor humidity.

6.3. Human sensor for energy saving (optional)

NOTES: To use this function, optional Human sensor kit is necessary.

When no one is in the room, the air conditioner operates moderately to prevent waste of electricity.

For details of this function, please refer to the operating manual of the Human sensor kit and the remote controller.



7. OTHER OPERATIONS

7.1. 10 °C Heat operation

NOTES:

This function is available only by wireless remote controller.

10 °C Heat operation maintains the room temperature at 10 °C so as to prevent the room temperature to drop too low.



- When activated, [] indicator on the IR receiver will turn on.
- When deactivated, [] indicator will turn off.

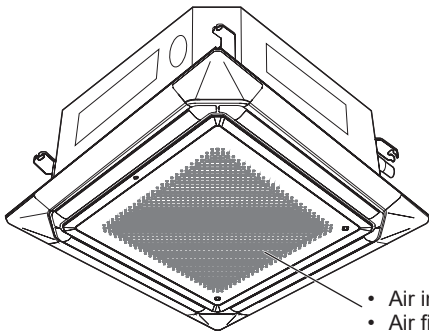
NOTES:

- During the 10 °C Heat operation, only the vertical airflow setting is valid.
- When the room temperature is warm enough, This operation will not be performed.

8. CLEANING AND CARE

CAUTION

-  • Before cleaning the indoor unit, be sure to turn it off and disconnect all the power supply.
- The fan operates at high speed inside the unit, and could result in personal injury.
- Be careful not to drop the intake grille.
- If the filter cleaning involves high-place work, please consult the professional technical service personnel.
-  • Do not expose the indoor unit to liquid insecticides or hair sprays.

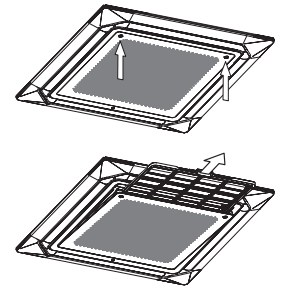


The indoor unit's intake grille can be removed for easy cleaning and maintenance.

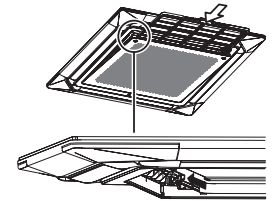
When cleaning the unit, do not use water hotter than 40 °C, harsh abrasive cleansers, or volatile agents like benzene or thinner.

Cleaning air filter

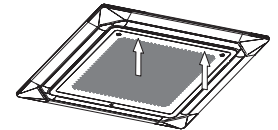
- 1 Push the intake grille push-buttons (two places) and open the intake grille.
- 2 Pull out the filter from the intake grille.
- 3 Clean the air filter.
Remove the dust from the air filters by vacuuming or washing them. After washing, allow the air filters to dry thoroughly in an area protected from sunlight.
 - Dust can be cleaned from the air filter either with a vacuum cleaner, or by washing the filter in a solution of mild detergent and warm water. If you wash the filter, be sure to allow it to dry thoroughly in a shady place before reinstalling.
 - If dirt is allowed to accumulate on the air filter, airflow will be reduced, lowering operating efficiency and increasing noise.



- 4 Re-attach the air filters to the intake grille.
 - (1) Replace the air filter into its holder.
 - (2) Make sure that the air filter makes contact with the filter stopper when it is replaced into its holder.



- 5 Close the intake grille.



After extended non-use of the unit

If you do not use this product for 1 month or more, perform the Fan mode operation for half a day to dry the internal parts thoroughly before you perform normal operation.

Additional inspection

After long period of use, accumulated dust inside the indoor unit may reduce the product performance even if you have maintained the unit with instructed daily care or cleaning procedures written in this manual.

In such a case, a product inspection is recommended.

For more information, consult authorized service personnel.

Filter indicator reset (Special setting)

This function can be used if set correctly during installation. Please consult authorized service personnel in order to use this function.

1. Clean the air filter when the filter indicator appears.
2. After cleaning, reset the filter indicator.

* For detailed instructions on how to operate, please refer to the operating manual of the remote controller.

9. GENERAL INFORMATION

■ Inverter

On start-up, the air conditioner will operate at maximum capacity to bring the room quickly down to desired temperature.

Once the temperature in the room begins to achieve the set temperature, the air conditioner will reduce its capacity and energy usage to the minimum capacity and input ratings.

■ Heating performance

This air conditioner operates on the heat-pump principle, absorbing heat from air outdoors and transferring that heat to the indoor unit. As a result, the operating performance is reduced as outdoor air temperature drops.

If you feel that the heating performance is insufficient, we recommend you to use this air conditioner in conjunction with other kinds of heating appliance.

please consult with your installation technician to ensure the unit is correctly sized for the room space required.

Heat-pump air conditioners heat your entire room by recirculating air throughout the room, with the result that some time may be required after first starting the air conditioner until the room is heated.

■ Automatic defrosting operation

When outdoor temperature is very low with high humidity, frost may form on the outdoor unit during the Heating operation, and it could reduce the operating performance of the product.

For frost protection, a microcomputer-controlled automatic defrost function is equipped in this air conditioner.

If frost forms, the air conditioner will temporarily stop, and defrost circuit will operate briefly (maximum of 15 minutes.)

If frost forms on the outdoor unit after the Heating operation, the outdoor unit will stop automatically after it operates for a few minutes. Then the automatic defrosting operation starts.

If you set to the Heating operation during the Automatic defrosting operation, the Automatic defrosting operation will continue. The Heating operation will begin after completion of defrosting. As a result, it may take some time before warm air is emitted.

■ Auto-restart function

In Event of Power Interruption

Should the power supply to the air conditioner be interrupted by a power failure, the air conditioner will restart automatically in the previously selected mode once the power is restored.

■ Malfunctions caused by other electrical devices

Use of other electrical appliances such as an electric shaver or nearby use of a wireless radio transmitter may cause the malfunction of the air conditioner.

If you encounter such a malfunction, disconnect the power supply once. Then reconnect it, and resume operation by using the remote controller.

■ Indoor unit temperature and humidity range

Permissible ranges of temperature and humidity are as follows:

Indoor temperature	Cooling/Dry	[°C]	18 to 32
	Heating	[°C]	16 to 30
Indoor humidity		[%]	80 or less *1)

*1) If the air conditioner is used continuously for many hours, water may condense on the surface and drip.

- If the unit is operated under the conditions except the permissible temperature range, the air conditioner operation may stop because of the automatic protection circuit working.
- Depending on the operating conditions, the heat exchanger may freeze, causing water leakage or other malfunction. (in the Cooling or Dry mode).

■ When indoor and outdoor temperatures are high

When both indoor and outdoor temperatures are high during use of the Heating mode, the outdoor unit's fan may stop at times.

■ Low ambient cooling

When the outdoor temperature drops, the outdoor unit's fans may switch to low speed, or one of the fans may stop intermittently.

■ Other informations

- Do not use the air conditioner for any purpose other than room cooling/dry, room heating or fan.
- For the permissible ranges of temperature and humidity for the outdoor unit, refer to the outdoor unit installation manual.
- During the Heating mode, the top of the indoor unit may become warm, but this is due to the fact that coolant is circulated through the indoor unit even when it is stopped; it is not a malfunction.

10. OPTIONAL PARTS

10.1. Remote control

The remote controller is optional. You can select from the following types of remote control.

- Wireless remote controller
- Wired remote controller
- Wireless LAN control

To check the available model of remote controller, please consult authorized service personnel.

NOTES: depending on the remote control, some function may be restricted. Please refer to the operating manual of the remote controller or WLAN adapter for details.

You can use both wireless and wired remote controller together.

However, some functions of the wireless remote controller may be restricted.

10.2. Multiple remote controller

You can connect two wired remote controllers to one air conditioner.

Either remote controller can control the air conditioner.

However, the timer functions cannot be used by the secondary unit.

10.3. Group control

One wired remote controller can control up to 16 air conditioners. All of the air conditioners will be operated with the same settings.

You cannot use group control and wireless LAN control together.

11. TROUBLESHOOTING



WARNING

! In following events, immediately stop operation of the air conditioner, and disconnect all the power supply by turning off the electrical breaker or disconnecting the power plug. Then consult your dealer or authorized service personnel.

As long as the unit is connected to the power supply, it is not insulated from the power supply even if the unit is turned off.

- Unit smells of something burning or emits smoke
- Water leaks from the unit

Does not operate at all.

- Has there been a power outage?
In this case, the unit restarts automatically after the power supply is resumed. (Refer to **page 6**.)
- Has the circuit breaker been turned off?
⇒ Turn on the circuit breaker.
- Has a fuse blown out or the circuit breaker been tripped?
⇒ Replace the fuse or reset the circuit breaker.
- Is the timer operating?
⇒ To check or deactivate the timer setting, Refer to the operating manual of the remote controller.

Poor cooling or heating performance.

- Is the unit operating under the conditions except the permissible temperature range?
In this case, the air conditioner may stop because of the automatic protection circuit working.
- Is the air filter dirty?
⇒ Clean the air filter. (Refer to **page 5**.)
- Is the intake grille or outlet port of indoor unit blocked?
⇒ Remove the obstructions.
- Is the room temperature adjusted appropriately?
⇒ To change the setting temperature, refer to the operating manual of the remote controller.
- Is a window or door left opened?
⇒ Close the window or the door.
- Is the fan speed set to Quiet?
⇒ To change the fan speed, refer to the operating manual of the remote controller.
- <In the Cooling mode> Is direct or strong sunlight shining into the room?
⇒ Close the curtains.
- <In the Cooling mode> Are there other heating apparatus or computers operating, or too many people in the room?
⇒ Turn the heating apparatus or computers off, or set the temperature lower.

Airflow is weak or stops.

- Is the fan speed set to Quiet?
⇒ To change the fan speed, refer to the operating manual of the remote controller.
- Has the Fan Control for Energy Saving set? In this case, the indoor unit fan may stop temporarily while the Cooling operation.
⇒ To cancel the Fan Control for Energy Saving, refer to the operating manual of the remote controller.
* This function cannot be disabled when the fan speed is set to AUTO.
- <In the Heating mode> Have you just started the operation?
In this case, the fan rotates at very low speed temporarily to warm up the internal parts of the unit.
- <In the Heating mode> Is the room temperature higher than the set temperature?
In this case, the outdoor unit stops and the indoor unit fan rotates at very low speed.
- <In the Heating mode> Is the Automatic defrosting operation working? In this case, the indoor unit stops for maximum of 15 minutes. (Refer to **page 6**.)

- <In the Dry mode> The indoor unit operates at low fan speed to adjust the room humidity, and may stop from time to time.
- <In the Auto mode> While the monitoring operation, the fan rotates at very low speed.

Airflow direction does not change according to the setting or does not change at all.

- <In the Auto mode> In the Auto mode, the airflow direction is set automatically.
- <In the Heating mode> Have you just started the operation?
In this case, the airflow direction keeps the default position for a while.
- <In the Heating mode> During the Automatic defrosting operation, the airflow direction is set automatically.
- Is the individual airflow set?
In this case, the individual setting overrides the other airflow direction settings.
⇒ To deactivate the individual airflow direction setting, refer to the operating manual of the remote controller.

Humidity does not drop.

- <In the Dry operation> If the setting temperature is high, the humidity may not drop.
⇒ To lower the humidity, lower the setting temperature.
- Do you hear a slight squeaking sound during the operation?
This sound is produced by the minute expansion and contraction of the front panel caused by temperature change.

Noise is heard.

- Is the unit operating, or immediate after stopping operation?
In this case, refrigerant flowing sound may be heard. It may be particularly noticeable for 2-3 minutes after starting operation.
- Do you hear a slight squeaking sound during the operation?
This sound is produced by the minute expansion and contraction of the front panel caused by temperature change.
- <In the Heating mode> Do you hear a sizzling sound?
This sound is produced by the Automatic defrosting operation. (Refer to **page 6**.)

Smell coming from the unit.

- The air conditioner may absorb various smells generated from interior textile, furniture, or cigarette smoke. These smells may be emitted during the operation.

Mist or steam is emitted from the unit.

- <In the Cooling or Dry mode> A thin mist may be generated by condensation formed with sudden cooling process.
- <In the Heating mode> Is the Automatic defrosting operation working? In this case, steam may rise from the outdoor unit. (Refer to **page 6**.)

Outdoor unit emits water.

- <In the Heating mode> The outdoor unit may emit water generated by the Automatic defrosting operation. (Refer to **page 6**.)

Operation is delayed after restart.

- Has the power supply turned from off to on suddenly?
In this case, the compressor will not operate for about 3 minutes to prevent a blowout of the fuse.
- Has the electrical breaker is turned off then on again?
In this case, the protection circuit will operate for about 3 minutes.

Immediately stop operation and turn off the electrical breaker in following cases. Then consult authorized service personnel.

- The problem persists even if you perform these checks or diagnostics.
- Error sign is shown on the wired remote controller display or the indicator lamps on the IR receiver unit.

NOTES:

For any troubleshooting related to the W-LAN control, refer to the setting manual for W-LAN adapter or the mobile app installed in your smartphone or tablet PC.