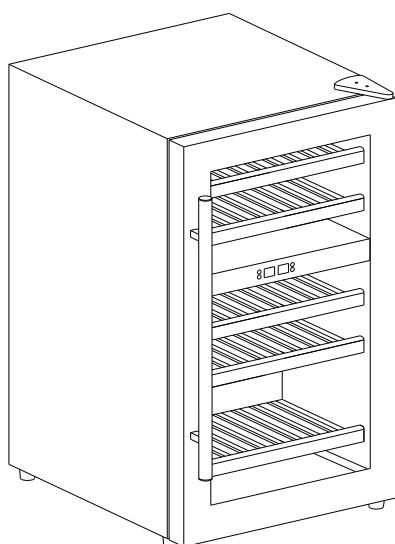


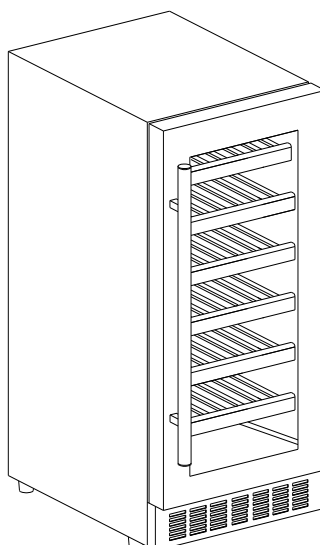
INSTRUCTION MANUAL FOR WINE COOLER

MODEL

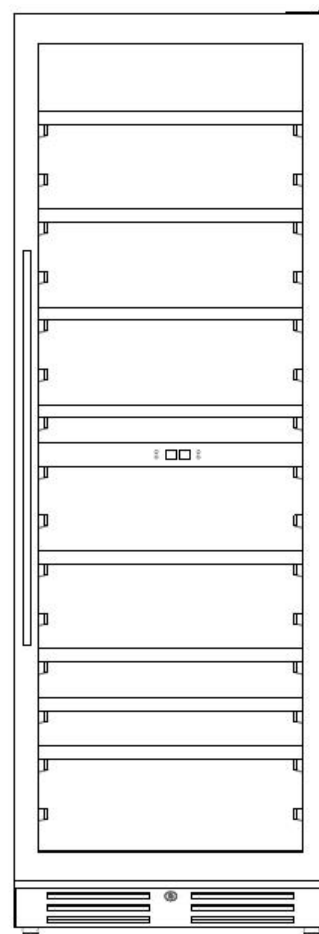
CW36DT



CW40



CW400/CW410DT



Thanks for buying our wine cooler, Hope our advanced product will give your wine a different joyful taste. Before use, please read and follow all safety rules and operating instructions.

WARNING

- To prevent damaging the door gasket, make sure to have the door all the way opened when pulling shelves out of the rail compartment.
- The appliance must be positioned so that the plug is accessible. Release the electric cord. Move your cabinet to its final location. Do not move your Cabinet while loaded with wine. You might distort the body. The wine cellar should be installed in a suitable place in order to avoid Touching the compressor with the hand.
- The appliance must be positioned so that the plug is accessible. Release the electric
- This appliance can be used by children aged from 8 years and above and persons with reduced physical, sensor and mental capabilities or lack of experience and knowledge if they have been given supervision or instruction concerning use of the appliance in a safe way and understand the hazards involved. Children shall not play with the appliance. Cleaning and user maintenance shall not be made by children without supervision.
- Children should be supervised to ensure to ensure that they do not play with the appliance.
- If the supply cord is damaged, it must be replaced by manufacturer of its Service agent or a similarly qualified person in order to avoid a hazard.

PLEASE DON'T TRY TO PLUG INTO OR EXTENSION THE CABLE IN ANY CASE.

IMPORTANT SAFETY INSTRUCTIONS

⚡WARNING⚡	To reduce the risk of fire, electrical shock, or injury when using your appliance, follow these basic precautions:
<ul style="list-style-type: none">• Read all instructions before using the Wine cooler.• DANGER or WARNING: Risk of child entrapment. Child entrapment and suffocation are not problems of the past. Junked or abandoned appliances are still dangerous . . . even if they will “just sit in the garage a few days”.• Before you throw away your old Wine cooler: Take off the door. Leave the shelves in place so that children may not easily climb inside.• Never allow children to operate, play with, or crawl inside the appliance.• Never clean appliance parts with flammable fluids. The fumes can create a fire hazard or explosion.• Do not store or use gasoline or any other flammable vapors and liquids in the vicinity of this or any other appliance. The fumes can create a fire hazard or explosion. Do not store explosive substances such as aerosol cans with a flammable propellant in this appliance.• keep ventilation openings, in the appliance enclosure or in the built-in structure, clear of obstruction;• Do not use mechanical devices or other means to accelerate the defrosting process, other than those Recommended by the manufacturer;• To avoid a hazard due to instability of the appliance, it must be fixed in accordance with the instructions.• Do not damage the refrigerant circuit;• Do not use electrical appliances inside the food storage compartments of the appliance, unless they are the type recommended by the manufacturer.• The refrigerant of these appliances are R600a , Flammable and explosive articles should not be put in or near the cabinet, to avoid the fire or explode caused.	
<p align="center">-Save these instructions-</p>	

INSTALLATION INSTRUCTIONS

➤ **Before Using Your Wine cooler**

- Remove the exterior and interior packing.
- Before connecting the Wine cooler to the power source, let it stand upright for approximately 2 hours. This will reduce the possibility of a malfunction in the cooling system from handling during transportation.
- Clean the interior surface with lukewarm water using a soft cloth.
- This appliance is intended to be used in household and similar applications such as
 - staff kitchen areas in shops, offices and other working environments;
 - farm houses and by clients in hotels, motels and other residential type environments;
 - bed and breakfast type environments;
 - catering and similar non-retail applications.
- When disposing your appliance, please choose an authorized disposal site.

➤ **Installation of Your Wine Cooler**

- This appliance is designed to be for free standing installation or built-in (fully recessed) (Refer to sticker location the back of this appliance).
- **This appliance is intended to be used exclusively for the storage of wine.**
- Place your Wine cooler on a floor that is strong enough to support it when it is fully loaded. To level your Wine cooler, adjust the front leveling leg at the bottom of the Wine cooler.
- This appliance is using flammability refrigerant. So never damage the cooling pipe work during the transportation. Locate the Wine cooler away from direct sunlight and sources of heat (stove, heater, radiator, etc.). Direct sunlight may affect the acrylic coating and heat sources may increase electrical consumption. Extreme cold ambient temperatures may also cause the unit not to perform properly.
- Avoid locating the unit in moist areas.
- Plug the Wine cooler into an exclusive, properly installed-grounded wall outlet. Do not under any circumstances cut or remove the third (ground) prong from the power cord. Any questions concerning power and/or grounding should be directed toward a certified electrician or an authorized Products service center.

➤ **Attention**

- Store wine in sealed bottles;
- Do not overload the cabinet;
- Do not open the door unless necessary;
- Do not cover shelves with aluminum foil or any other shelf material which may prevent air circulation;
- Should the Wine cooler be stored without use for long periods it is suggested, after a careful cleaning, to leave the door ajar to allow air to circulate inside the cabinet in order to avoid possible formations of condensation, mold or odors.

➤ **Ambient Room Temperature Limits**

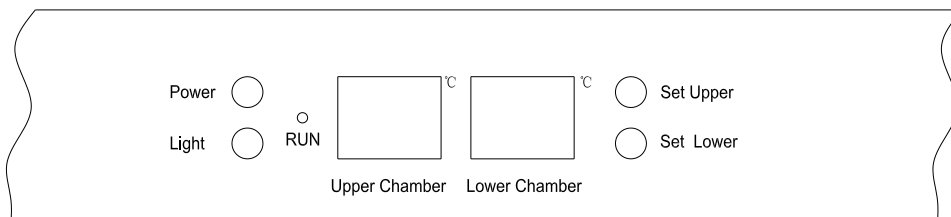
This appliance is designed to operate in ambient temperatures specified by its temperature class marked on the rating plate.

Class	Symbol	Ambient Temperatures range(°C)
Extended Temperate	SN	+ 10 to + 32
Temperate	N	+ 16 to + 32
Subtropical	ST	+ 16 to + 38
Tropical	T	+ 16 to + 43

OPERATING YOUR WINE COOLER

FOR CW36DT

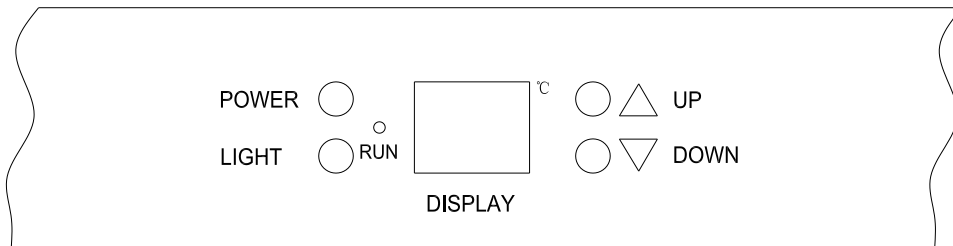
➤ The controls of your wine Cooler



- **RUN**
Indicator light illuminates to signify the cooling mode is currently in operation.
 - **Light**
To control the inner light turn on/off.
 - **Power**
To control this appliance turn on/off.
 - **“Set Upper” Button**
To set the temperature of the upper chamber.
 - **“Set Lower” Button**
To set the temperature of the lower chamber.
 - **“Up chamber”**
To shows the temperature of the up chamber.
 - **“Lower chamber”**
To shows the temperature of the lower chamber.
- Setting the Temperature Control
- Each cooling compartment of the wine cooler (upper & lower) is independently controlled. To set the temperature:
Connect the power cord to a properly grounded outlet. In the event of a power interruption, all previous temperature settings are automatically erased and each compartment will default to a preset temperature setting of: 6°C for upper compartment and 12°C for lower compartment.
 - Set the desired cooling temperature by pressing the buttons adjacent to the “set upper/set lower” program. Each depression of the buttons will scroll through the available temperature settings (for each compartment) in increments of 1 degree. The temperature selected will flash in the LED display for approximately 5 seconds, then revert back to display the temperature of the internal cabinet
Upper compartment: The temperature setting can be adjusted from 5°C to 10°C.
Lower compartment: The temperature setting can be adjusted from 10°C to 18°C.
 - To view the “set” temperature. (anytime) press and hold the corresponding button for approximately 5 seconds, the “set” temperature will temporarily “flash” in the LED display for 5 seconds.

FOR CW40

➤ The controls of your wine Cooler



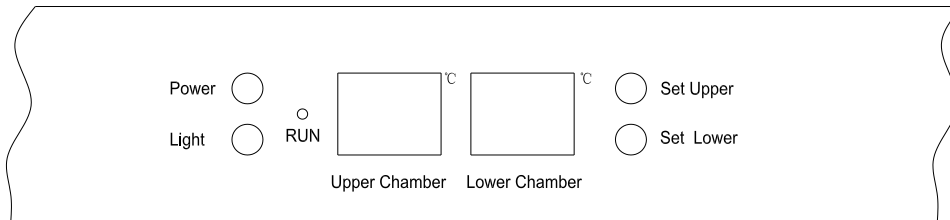
- **LIGHT**
Control the interior light ON/OFF
- **RUN**
When it's ON, the cooling system runs.
- **POWER**
control this appliance turn on/off. (press and hold this buttons for approximately 3 seconds);
- **“UP” BUTTON**
Press once the “UP” button, the temperature will raise 1 °C.
- **“DOWN” BUTTON**
Press once the “DOWN” button, the temperature will lower 1 °C.
- **“DISPLAY”**
Display the actual temperature indoor.

➤ Setting The Temperature Controls

- You can set the temperature as you desire by pushing the **UP** or **DOWN** button. When you push the two buttons for the first time, the LED readout will show the original temperature set at previous time.
- The temperature that you desire to set will increase 1°C if you push the **UP** button once, on the contrary the temperature will decrease 1°C if you push the **DOWN** button once.
- To view the “set” temperature. (anytime) press and hold the corresponding button for approximately 5 seconds, the “set” temperature will temporarily “flash” in the LED display for 5 seconds.
- The temperature setting can be adjusted from 5°C to 18°C.
- The temperature preset at the factory is 12°C.

For CW400

➤ The controls of your wine Cooler



- **RUN**
Indicator light illuminates to signify the cooling mode is currently in operation.
 - **Light**
To control the inner light turn on/off.
 - **Power**
To control this appliance turn on/off.
 - **“Set Upper” Button**
To set the temperature of the upper chamber.
 - **“Set Lower” Button**
To set the temperature of the lower chamber.
 - **“Up chamber”**
To shows the temperature of the up chamber.
 - **“Lower chamber”**
To shows the temperature of the lower chamber.
- **Setting the Temperature Control**
- Each cooling compartment of the wine cooler (upper & lower) is independently controlled. To set the temperature:
Connect the power cord to a properly grounded outlet. In the event of a power interruption, all previous temperature settings are automatically erased and each compartment will default to a preset temperature setting of: 7°C for upper compartment and 12°C for lower compartment.
 - Set the desired cooling temperature by pressing the buttons adjacent to the “set upper/set lower” program. Each depression of the buttons will scroll through the available temperature settings (for each compartment) in increments of 1 degree. The temperature selected will flash in the LED display for approximately 5 seconds, then revert back to display the temperature of the internal cabinet
- Upper compartment:** The temperature setting can be adjusted from 5°C to 10°C.
Lower compartment: The temperature setting can be adjusted from 10°C to 18°C.
- To view the “set” temperature. (anytime) press and hold the corresponding button for approximately 5 seconds, the “set” temperature will temporarily “flash” in the LED display for 5 seconds.
- **Note**
- If the unit is unplugged, power lost, or turned off, you must wait 3 to 5 minutes before restarting the unit. If you attempt to restart before this time delay, the Wine Cooler will not start.
- When you use the wine cooler for the first time or restart the wine cooler after having

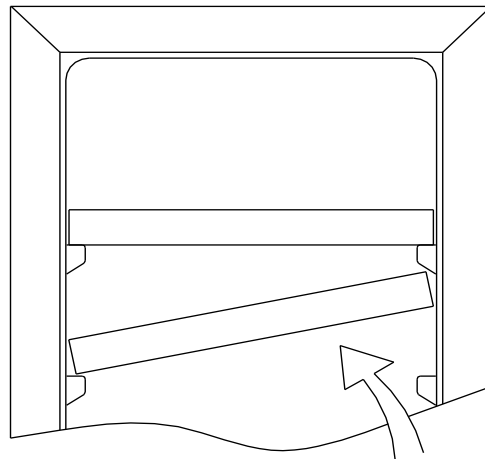
been shut off for a long time, there could be a few degrees variance between the temperature you select and the one indicated on the LED readout. This is normal and it is due to the length of the activation time. Once the wine cooler is running for a few hours everything will be back to normal.

➤ **Shelves**

- To prevent damaging the door gasket, make sure to have the door all the way opened when pulling shelves out of the rail compartment.
- For easy access to the storage content, you must pull the shelves approximately 1/3 out of the rail compartment, however this unit was designed with a notch on each sides of the shelf tracks to prevent bottles from falling.

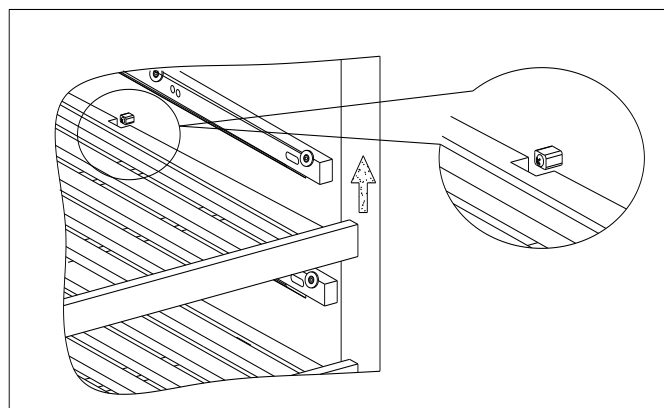
For CW36DT/CW40

When removing any of these shelves out of the rail compartment, To fit or remove the shelf, tilt the shelf as per the diagram and simply pull out, or push in the shelf until it sits on the support brackets securely.



For CW400

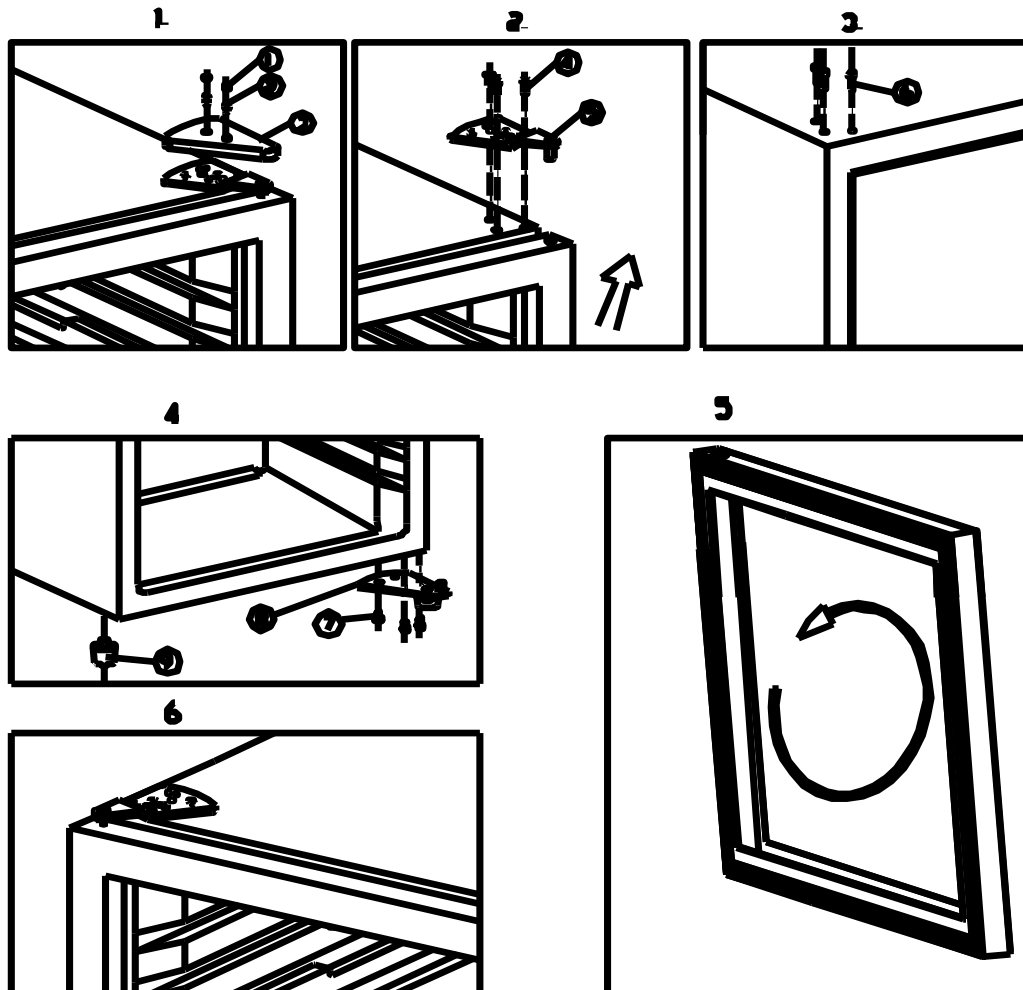
Put the shelf gap(left and right) under the square plastic block, uptilt the shelf,then pull the shelf from the Wine Cooler.



➤ **REVERSE THE DOOR**

The door can be changed from left and right side. No special requirement, all the door is opened from left side. If require to open from right side, please refer to the following direction:

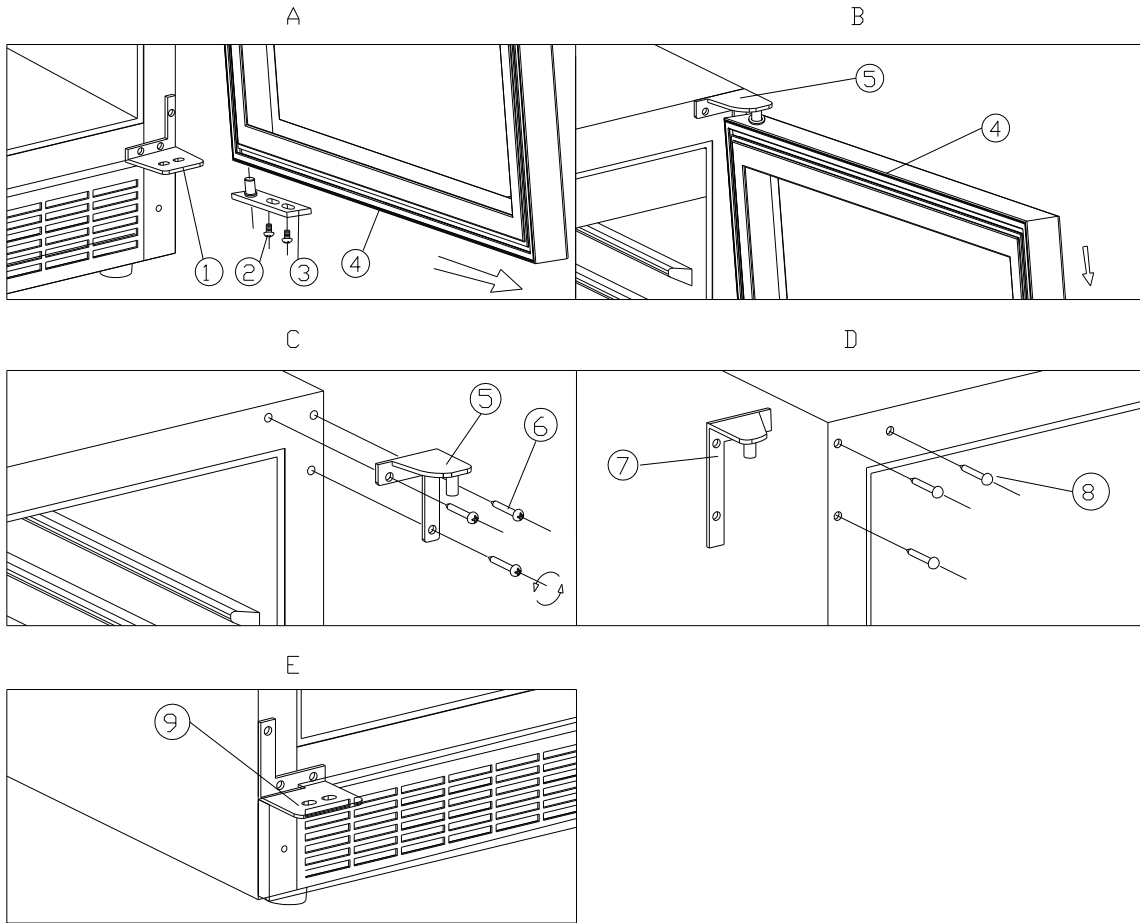
For CW36DT



- | | | |
|------------------------|-----------------------|----------------------------|
| 1. Rubber cover | 2 . Screws | 3 .Decorative cover |
| 4. Screws | 5. Top hinge | 6. Decorative nail |
| 7. Screws | 8. Lower hinge | 9. Cabinet leg |

1. Close the door and take out rubber cover (1), unscrew two screws (2) and remove decorative cover (3). (Fig.1)
2. Unscrew screws (4) and take out top hinge (5), then remove the door, and put door safety. (Fig. 2)
3. Pull out decorative nail (6) from left top of cabinet. (Fig.3)
4. Unscrew 3 screws (7) from right bottom of cabinet and remove lower hinge (8). (Fig.4)
5. Pull out cabinet leg (9) from left bottom of cabinet and fix it onto right bottom of cabinet. (Fig.4)
6. Fix the lower hinge (8) onto left bottom of cabinet with screws (7). (Fig. 4)
7. The door revolves 180 degrees, put lower door axis to aim at lower hinge (8) and install the door onto lower hinge (8), then close the door carefully. (Fig.5)
8. Fix top hinge (5) onto left top of cabinet with screws (4), adjust door and install decorative cover (3) and rubber cover (1). (Fig.6)
9. Block 3 screw holes at right top of cabinet with spare decorative nail.

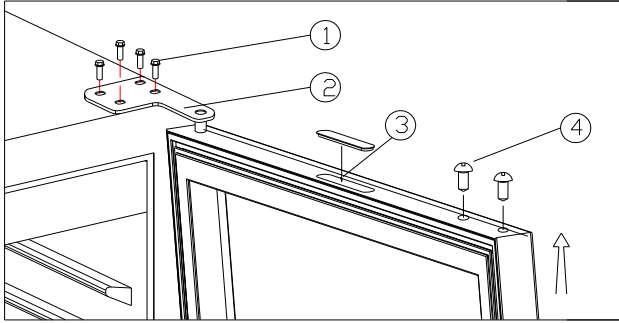
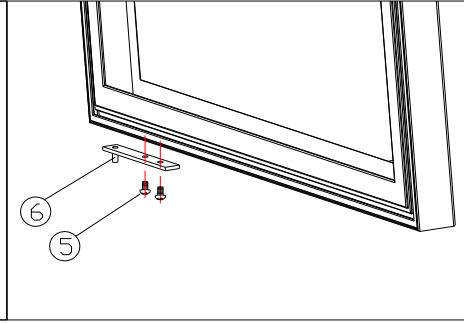
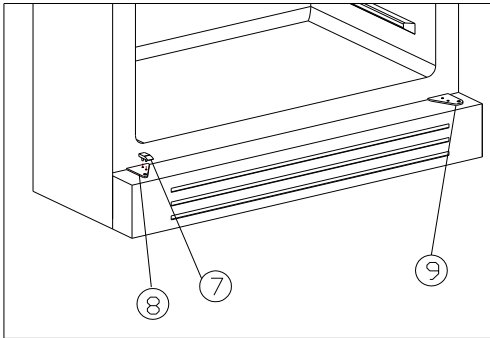
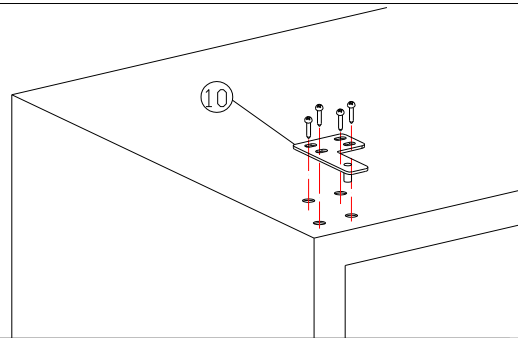
For CW40



- | | | |
|-------------------------------|-----------------------------|------------------------------|
| 1. Lower hinge (Right) | 2 . Screws | 3 .Door axis |
| 4. Door | 5. Top hinge (Right) | 6. Screws |
| 7. Top hinge (Left) | 8. Decorative nail | 9. Lower hinge (Left) |

1. When open the door 90 degree, take out 2 screws from lower door axis (3), remove the door refer Fig. A, then pull out the door and door axis, put the door safety (Fig. A/B).
2. Take out 3 screws (6) from top hinge (right) (5) and remove the right top hinge. (Fig. C)
3. Remove decorative nail (8) from left top of cabinet and install spare top hinge (Left) (7) at left top of cabinet with 3 screws. (Fig. D)
4. According above procedure, install spare lower hinge (left) (9) onto left lower cabinet. (Fig. E)
5. The door revolves 180 degrees, install the door with same way it was removed.
6. Block the hole at right top of cabinet with spare decorative nail.

For CW400

Fig.A**Fig.B****Fig.C****Fig.D****1. Screws****4. Decorative nail****7. Door bracket****10. Top hinge (left)****2. Top hinge (right)****5. Screws****8. Lower hinge (left)****3. Lock hole decorative cover****6. Door axis(right)****9. Lower hinge (right)**

1. Take out 4 screws (1) from top hinge (right) (2) and remove the top hinge (right), then put out the door. (Fig.A)

2. Put the door safety and take out the lock hole decorative cover(3) and decorative nail (4) from top of door frame, unscrew 2 screws (5) at bottom and remove the door axis(right) (6), then install the lock hole decorative cover(3) and decorative nail (4) at bottom, please install the spare left door axis at top of door frame. (Fig.B)

3. Remove the door bracket (7) from lower hinge(left)(8) and install it at lower hinge (right) (9) . (Fig.C)

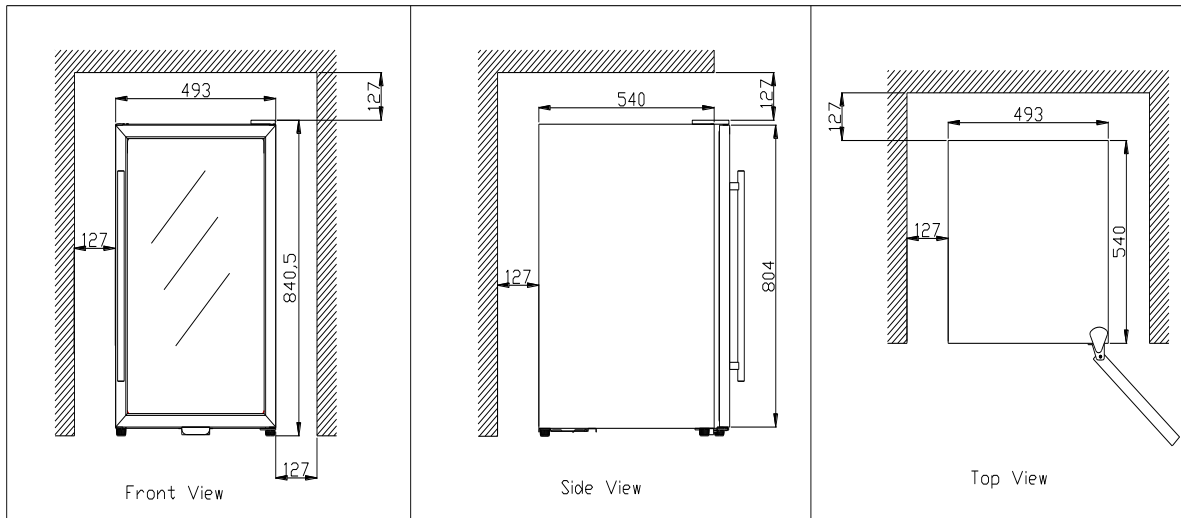
4. The door revolves 180 degrees, put door axis to aim at lower hinge(left) and install the door onto lower hinge(left), then close the door carefully.

5. Fix spare top hinge (left) (10) onto left top of cabinet with 4 screws (1), then adjust door. (Fig.D)

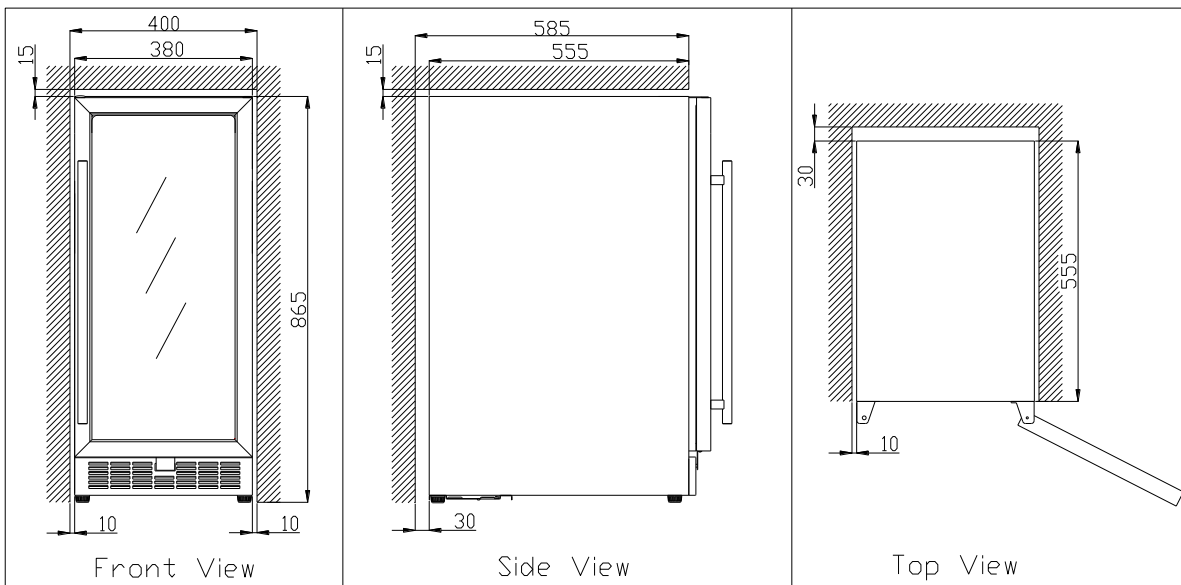
➤ **Installation specifications for built-in purposes**



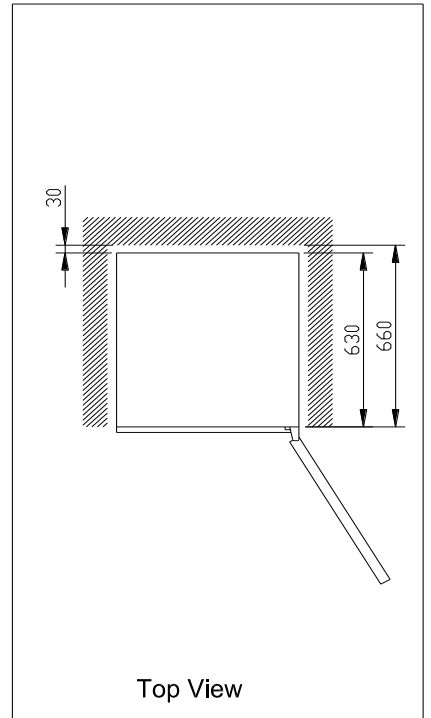
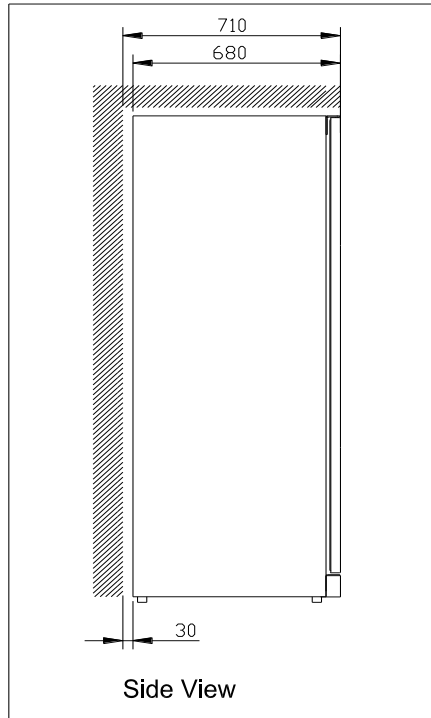
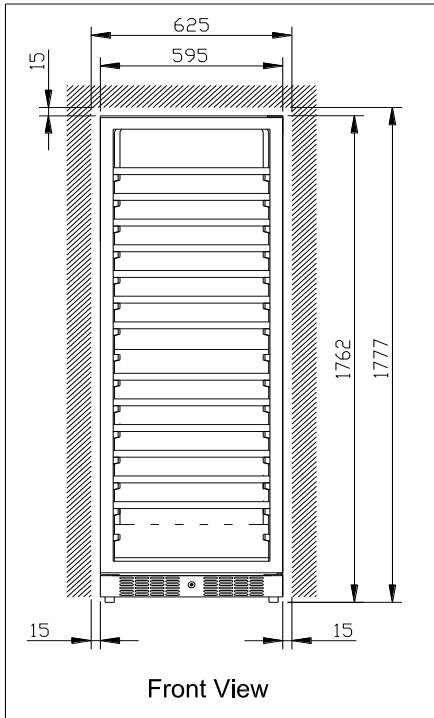
FORCW36DT
Model is free standing only.



FOR CW40



FOR CW400



CARE AND MAINTENANCE

➤ **Cleaning Your Wine Cooler**

- Turn off the power, unplug the appliance, and remove all items including shelves and rack.
- Wash the inside surfaces with a warm water and baking soda solution. The solution should be about 2 tablespoons of baking soda to a quart of water.
- Wash the shelves with a mild detergent solution.
- Wring excess water out of the sponge or cloth when cleaning area of the controls, or any electrical parts.
- Wash the outside cabinet with warm water and mild liquid detergent. Rinse well and wipe dry with a clean soft cloth.

➤ **Power Failure**

- Most power failures are corrected within a few hours and should not affect the temperature of your appliance if you minimize the number of times the door is opened. If the power is going to be off for a longer period of time, you need to take the proper steps to protect your contents.

➤ **Vacation Time**

- Short vacations: Leave the Wine Cooler operating during vacations of less than three weeks.
- Long vacations: If the appliance will not be used for several months, remove all items and turn off the appliance. Clean and dry the interior thoroughly. To prevent odor and mold growth, leave the door open slightly: blocking it open if necessary.

➤ **Moving Your Wine Cooler**

- Remove all items.
- Securely tape down all loose items (shelves) inside your appliance.
- Turn the adjustable leg up to the base to avoid damage.
- Tape the door shut.
- Be sure the appliance stays secure in the upright position during transportation. Also protect outside of appliance with a blanket, or similar item.

➤ **Energy Saving Tips**

- The Wine Cooler should be located in the coolest area of the room, away from heat producing appliances, and out of the direct sunlight.

PROBLEMS WITH YOUR WINE COOLER?

You can solve many common Wine Cooler problems easily, saving you the cost of a possible service call. Try the suggestions below to see if you can solve the problem before calling the servicer.

TROUBLESHOOTING GUIDE

PROBLEM	POSSIBLE CAUSE
Wine Cooler does not operate.	Not plugged in. The appliance is turned off. The circuit breaker tripped or a blown fuse.
Wine Cooler is not cold enough.	Check the temperature control setting. External environment may require a higher setting. The door is opened too often. The door is not closed completely. The door gasket does not seal properly.
Turns on and off frequently.	The room temperature is hotter than normal. A large amount of contents has been added to the wine cooler. The door is opened too often. The door is not closed completely. The temperature control is not set correctly. The door gasket does not seal properly.
The light does not work.	Not plugged in. The circuit breaker tripped or a blown fuse. The bulb has burned out. The light button is "OFF".
Vibrations.	Check to assure that the Wine Cooler is level.
The Wine Cooler seems to make too much noise.	The rattling noise may come from the flow of the refrigerant, which is normal. As each cycle ends, you may hear gurgling sounds caused by the flow of refrigerant in your Wine Cooler. Contraction and expansion of the inside walls may cause popping and crackling noises. The Wine Cooler is not level.
The door will not close properly.	The Wine Cooler is not level. The door was reversed and not properly installed. The gasket is dirty. The shelves are out of position.



■ This marking indicates that this product should not be disposed with other household wastes throughout the EU. To prevent possible harm to the environment or human health from uncontrolled waste disposal, recycle it responsibly to promote the sustainable reuse of material resources. To return your used device, please use the return and collection systems or contact the retailer where the product was purchased. They can take this product for environmental safe recycling.