

OPERATING MANUAL

AIR CONDITIONER Wall Mounted Type



Contents

Safety Precautions	1
Indoor Unit Overview and Operations	3
Remote Controller Overview and Operations	4
Timer Operation.....	6
General Information on Operation	7
Cleaning and Care.....	8
Troubleshooting.....	10

Before using this product, read these instructions thoroughly and keep this manual for future reference.

Safety Precautions

To prevent personal injury, or property damage, read this section carefully before you use this product, and be sure to comply with the following safety precautions. Incorrect operation due to failure to follow the instructions may cause harm or damage, the seriousness of which is classified as follows:



WARNING

This mark warns of death or serious injury.



This mark denotes an action that is PROHIBITED.



CAUTION

This mark warns of injury or damage to property.



This mark denotes an action that is COMPULSORY.

• Explanation of symbols displayed on the indoor unit or outdoor unit.

	WARNING	This symbol shows that this appliance uses a flammable refrigerant. If the refrigerant is leaked and exposed to an external ignition source, there is a risk of fire.
	CAUTION	This symbol shows that the operation manual should be read carefully.
	CAUTION	This symbol shows that a service personnel should be handling this equipment with reference to the installation manual.
	CAUTION	This symbol shows that information is available such as the operating manual or installation manual.



WARNING

- This product contains no user-serviceable parts. Always consult authorized service personnel for repairing, installation, and relocation of this product. Improper installation or handling will cause leakage, electric shock, or fire.
 - In the event of a malfunction such as burning smell, immediately stop operation of the air conditioner, and disconnect all the power supply by turning off the electrical breaker or disconnecting the power plug. Then consult authorized service personnel.
 - Take care not to damage the power supply cable. If it is damaged, it should only be replaced by authorized service personnel.
 - In the event of refrigerant leakage, be sure to keep away from fire or any flammables, and consult authorized service personnel.
 - In the event of a thunder storm or any prior sign of a lightning strike, turn off the air conditioner via the remote controller, and refrain from touching the product or the power source to prevent any electrical hazards.
 - The appliance shall be stored in a room without continuously operating ignition sources (for example: open flames, an operating gas appliance or an operating electric heater).
 - The appliance shall be stored in a well-ventilated area.
 - Be aware that refrigerants may not contain an odour.
 - The appliance shall be stored so as to prevent mechanical damage from occurring.
- Disposing of the product shall be done properly, in compliance with national or regional regulations.
 - During transportation or relocation of the indoor unit, pipes shall be covered with the wall hook bracket for protection. Do not move the appliance by holding the indoor unit pipes. (The stress applied to the pipe joints may cause the flammable gas to leak during operation).
 - This appliance is not intended for use by persons (including children) with reduced physical, sensory or mental capabilities, or lack of experience and knowledge, unless they have been given supervision or instruction concerning use of the appliance by a person responsible for their safety. Children should be supervised to ensure that they do not play with the appliance.
- Do not start or stop the operation of this product by inserting or pulling out the power plug, or by turning on or off the circuit breaker.
 - Do not use flammable gases near this product.
 - Do not expose yourself directly to the cooling airflow for many hours.
 - Do not insert your fingers or any other objects into outlet port, open panel, or intake grille.
 - Do not operate with wet hands.
 - Do not install the unit in area filled with mineral oil such as a factory or area containing a large amount of splashed oil or steam such as a kitchen.
 - Do not use means to accelerate the defrosting process or to clean the appliance, other than those recommended by the manufacturer.
 - Do not pierce or burn.



PART No. 9387858006

[Original instructions]

En-1

English

Deutsch

Français

Español

Italiano

Ελληνικά

Português

Русский

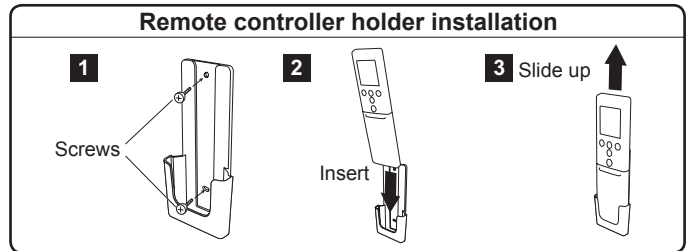
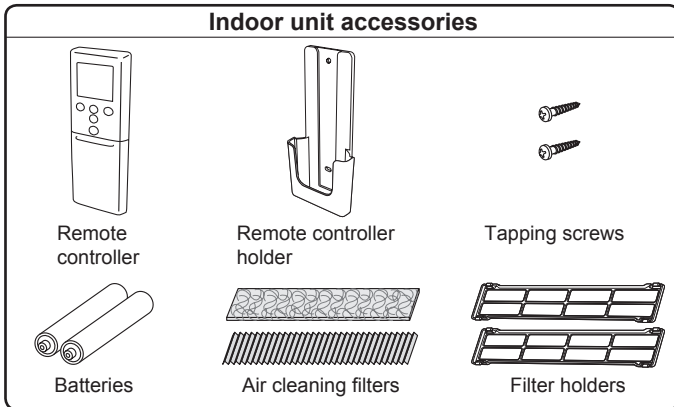
Türkçe

Safety Precautions (continued)

⚠ CAUTION

- ❗ Provide occasional ventilation during use.
- ❗ Always operate the unit with air filters installed.
- ❗ Ensure that any electronic equipment is at least 1 m (40 in) away from either the indoor unit or outdoor unit.
- ❗ Disconnect all the power supply when you are not using this product for extended periods.
- ❗ After a long period of use, ensure to get the mounting of the indoor unit checked to prevent this product from falling down.
- ❗ The airflow direction and the room temperature should be carefully considered when you use this product in a room with infants, children, elderly or sick persons.
- ⊘ Do not direct the airflow at fireplaces or heating apparatus.
- ⊘ Do not block or cover the intake grille and the outlet port.
- ⊘ Do not apply any heavy pressure to radiator fins.
- ⊘ Do not climb on, place objects on, or hang objects from this product.
- ⊘ Do not place any other electrical products or household belongings under this product.
- ⊘ Dripping condensation from this product might get them wet, and may cause damage or malfunction of your property.
- ⊘ Do not expose this product directly to water.
- ⊘ Do not use this product for preservation of food, plants, animals, precision equipment, art work, or other objects. This may cause quality deterioration of those items.
- ⊘ Do not expose animals or plants to the direct airflow.
- ⊘ Do not drink the drainage from the air conditioner.
- ⊘ Do not pull the power supply cable to disconnect the plug.
- ⊘ Do not touch the aluminum fins of heat exchanger built-in this product to avoid personal injury when you maintain the unit.
- ⊘ Do not stand on unstable steps when operating or cleaning this product. It may overturn and can cause injury.

This product contains fluorinated greenhouse gases.



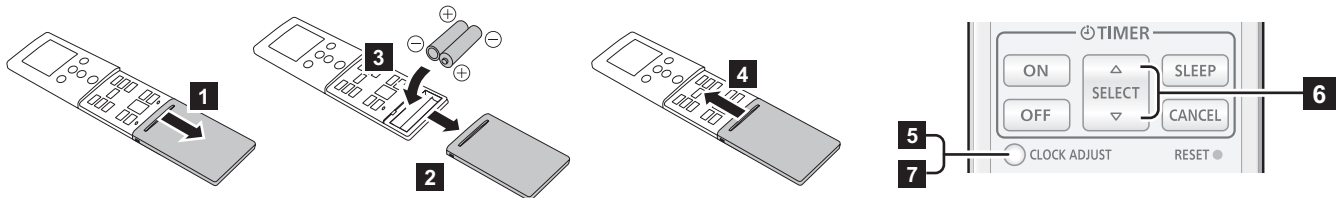
⚠ WARNING

- ❗ Take care to prevent infants and young children from accidentally swallowing the batteries.

⚠ CAUTION

- ⊘ Do not attempt to recharge dry batteries.
- ⊘ Do not use dry batteries that has been recharged.

Battery (R03/LR03/AAA × 2) loading and remote controller preparation



- 5 Press [CLOCK ADJUST] to start clock setting.
- 6 Set the time by pressing [SELECT]. Each time you press the button, the value increases or decreases 1 minute. With pressing and holding the button, the value increases or decreases 10 minutes.
- 7 Press [CLOCK ADJUST] again to complete the clock setting.

NOTES:

- Use specified type of battery only.
- Do not mix different types or new and used batteries together.
- Batteries can be used about 1 year in ordinary use.
- If the remote control range noticeably shortens, replace the batteries, and press [RESET].

Indoor Unit Overview and Operations

1 Intake grille

Before starting operation, make sure that the intake grille has been shut completely. Incomplete closing may have an effect on the proper function or performance of the product.

2 [MANUAL AUTO] button

Use when the remote controller is lost or there is a malfunction.

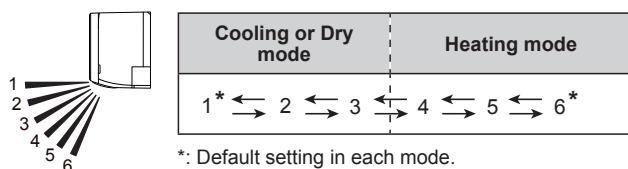
Status	Action	Mode or operation
In operation	Press more than 3 seconds.	Stop
Stopping	Press more than 3 seconds and less than 10 seconds.	Auto
	Press more than 10 seconds. (Only for servicing.*)	Forced cooling
After cleaning	Press less than 3 seconds.	Filter indicator reset

*:To stop the Forced cooling, press this button or [P/I] on the remote controller.

3 Front panel

4 Vertical airflow direction louver

Each time you press [SET] on the remote controller, the angle of the vertical airflow direction louver moves as follows:



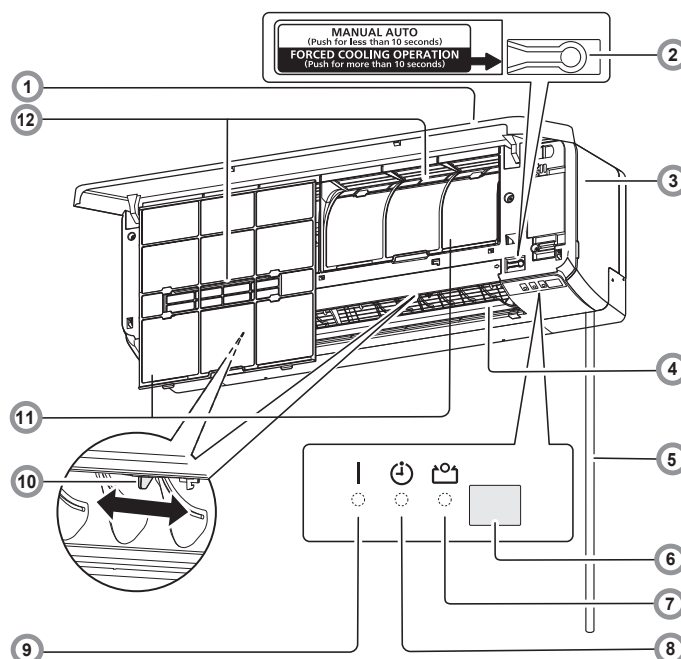
- Do not adjust by hand.
- At the beginning of Auto or Heating mode, they may stay on position 1 for a while for adjustment.
- If the angle is set to position 4-6 for more than 30 minutes in Cooling or Dry mode, the louver will automatically return to position 3.
- Keeping the position 4-6 during Cooling or Dry mode may cause condensation to form, and the drops may damage your property.

5 Drain hose

6 Remote controller signal receiver

CAUTION

- ! For appropriate signal transmission between remote controller and indoor unit, keep the signal receiver away from the following items:
 - Direct sunlight or other strong lights
 - Flat-panel television screen
- In rooms with instantaneous fluorescent lights, such as inverter type ones, the signal may not be transmitted properly. In such a case, consult the store of purchase.



7 Economy indicator (green)

Lights in the Economy operation and in the 10 °C Heat operation.

8 Timer indicator (orange)

Lights in the Timer operation, and blinks slowly when the timer setting error is detected. For details, refer to "Auto-restart function" on page 7.

9 Operation indicator (green)

Lights in the normal operation, and blinks slowly in the Automatic defrosting operation.

10 Horizontal airflow direction louvers

CAUTION

- ! Before you adjust the horizontal airflow direction, make sure that the vertical airflow direction louver has been stopped completely.

Adjust two knobs by hand.

11 Air filter

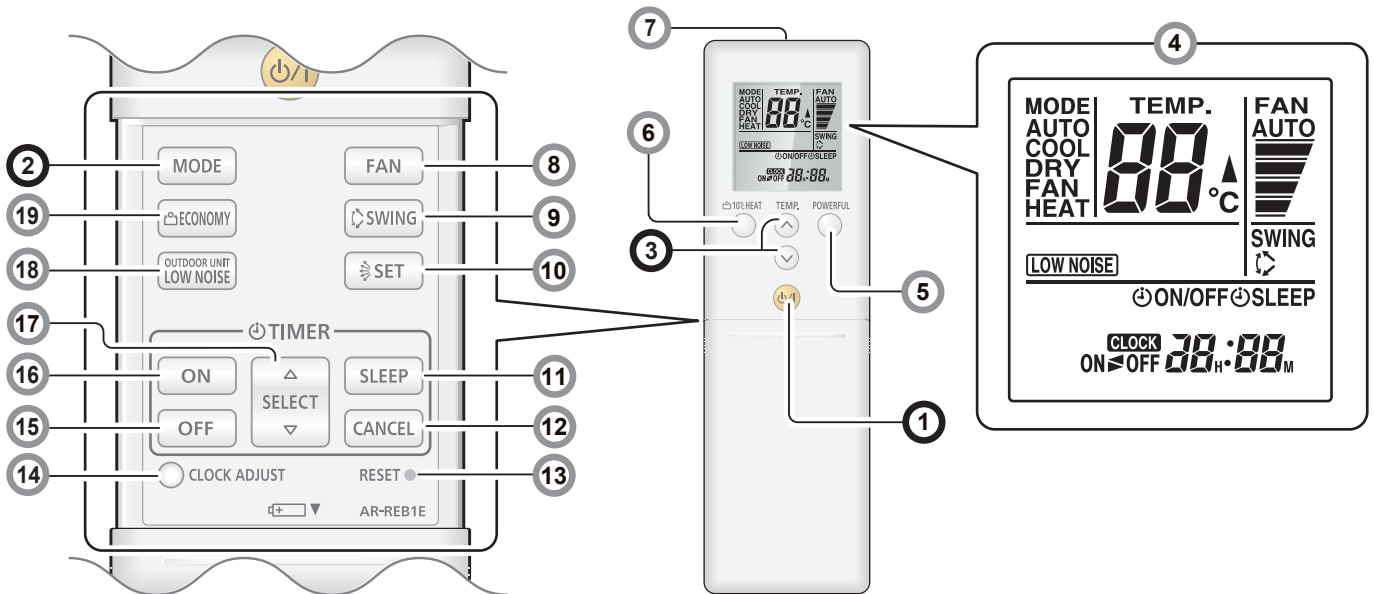
See page 8

12 Air cleaning filters

See page 9

Purify or deodorize the air, and provide fresh airflow.

Remote Controller Overview and Operations



You can quickly start the operation with following 3 steps:

① [ON/OFF] (Start/Stop) button

② [MODE] button *

Switches operation mode in following order.



Notes in Heating mode:

- At the beginning of the operation, the indoor unit operates at very low fan speed for about 3–5 minutes for preparation, and then switches to the selected fan speed.
- The Automatic defrosting operation overrides the heating operation when it is necessary.

Note in Cooling mode:

Indoor unit fan may stop from time to time to perform indoor unit fan control for energy saving that enables power-saving operation by stopping the rotation of the indoor unit fan when the outdoor unit is stopped.

③ [TEMP.] (temperature) buttons *

Set desired temperature.

In Cooling/Dry mode, the value needs to be set at lower temperature than current room temperature, and in Heating mode, the value needs to be set at higher temperature than current room temperature. Otherwise, corresponding operation mode does not start to work.

Temperature setting range	
Auto/Cooling/Dry	18–30 °C
Heating	16–30 °C

*: Temperature control is not available in Fan mode.

④ Remote controller display

In this section, all the possible indicators are displayed for description. In actual operation, the display is linked with the button operation, and only shows the necessary indicators for each setting.

⑤ [POWERFUL] button

The product will operate at maximum power, which is convenient when you want to quickly cool down or warm up the room. When you press the button to start the Powerful operation, the indoor unit emits 2 short beeps.

The Powerful operation is automatically turned off in the following situations:

- Adjusted room temperature reached to the defined temperature in temperature setting in Cooling, Dry, or Heating mode.
- 20 minutes have passed after finishing the Powerful operation mode setting.

Even in situations above, the Powerful operation will not automatically turn off unless it has run for a certain amount of time.

NOTES:

- The airflow direction and the fan speed are controlled automatically.
- This operation cannot be performed simultaneously with the Economy operation.

To return to the normal operation, press the button again. Then the indoor unit emits 1 short beep.

⑥ [10 °C HEAT] button *

Starts the 10 °C Heat operation that maintains the room temperature at 10 °C so as to prevent the room temperature to drop too low. When you press the button to start the 10 °C Heat operation, the indoor unit emits 2 short beeps and the Economy indicator (green) turns on.

NOTES:

- In the 10 °C Heat operation mode, only vertical airflow direction can be adjusted by using [SET].
- Heating mode will not be performed if the room temperature is warm enough.

To return to the normal operation, press [ON/OFF]. The Economy indicator turns off.

⑦ Signal transmitter

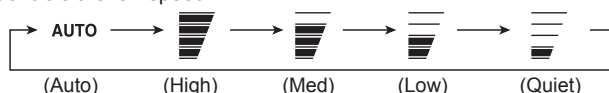
Aim to signal receiver of the indoor unit properly.

- Signal transmit indicator [▲] on the remote controller display shows that signal from the remote controller is being transmitted.
- Operating range is approximately 7 m.
- You will hear a beep if the transmitted signal has been sent properly. If there is no beep, press the button on the remote controller again.

Remote Controller Overview and Operations (continued)

8 [FAN] button * |

Controls the fan speed.

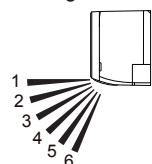


- When "AUTO" is selected, the fan speed is automatically adjusted according to the operation mode.

9 [SWING] button * |

Starts or stops automatic swing of the vertical airflow direction louver.

- Each time you press the button, the vertical airflow direction louver swings as follows:



Cooling, Dry, or Fan mode	Heating or Fan mode
1 ↔ 2 ↔ 3 ↔ 4	3 ↔ 4 ↔ 5 ↔ 6

NOTES:

- The Swing operation may stop temporarily when the fan in the unit is rotating at very low speed or stopping.
- In Fan mode, either of swing direction 1 ↔ 4 or 3 ↔ 6 is performed in accordance with the vertical airflow direction previously set before you start the Swing operation.

10 [SET] button |

Adjusts the vertical airflow direction.

11 [SLEEP TIMER] button >> See page 6 *

Activates the Sleep timer that helps you to fall asleep comfortably with gradual temperature control.

12 [TIMER CANCEL] button |

Cancels the set timer.

13 [RESET] button

When you press [RESET], press it gently by using the tip of a ballpoint pen or other small object in correct direction as shown in this figure.



14 [CLOCK ADJUST] button >> See page 2

Cancels the set timer.

15 [OFF TIMER] button >> See page 6 * |

Activates the Off timer.

16 [ON TIMER] button >> See page 6 * |

Activates the On timer.

17 [SELECT] button

Used for adjusting the clock or timer.

18 [OUTDOOR UNIT LOW NOISE] button *

Starts or stops the Outdoor Unit Low Noise Operation that lowers noise generated from the outdoor unit by cutting down the rotation number of the compressor, and suppressing the fan speed till they are sufficiently reduced.

Once the operation is set, the operation setting is preserved until you press this button again to stop the operation, even if the indoor unit operation is stopped.

Outdoor Unit Low Noise indicator [LOW NOISE] on the remote controller display shows that the unit is in Outdoor Unit Low Noise mode.

NOTES:

- This operation cannot be performed simultaneously with following modes: Fan mode, Dry mode, Powerful operation mode

19 [ECONOMY] button |

Starts or stops the Economy operation that saves more electricity consumption than the other operations with a conservative adjustment of the room temperature.

When you press the button, the Economy indicator on the indoor unit turns on.

- In Cooling or Dry mode, the room temperature will be adjusted at a few degree higher than the defined temperature.
In Heating mode, the room temperature will be adjusted at a few degree lower than the defined temperature.
- Especially in Cooling or Dry mode, you can have improved dehumidification without significantly lowering the room temperature.

NOTES:

- In Cooling, Heating, or Dry mode, the maximum output of this operation is approximately 70 % of usual air conditioning operation.
- This operation cannot be performed during temperature monitoring by Auto mode.

*: The setting must be done while the indicator stays solid.

|: The button is controllable only when the air conditioner is on.

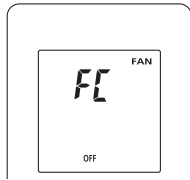
Remote Controller Overview and Operations (continued)

Fan control for energy saving

When the set temperature is reached during the Cooling operation, the fan operates intermittently and power is saved. Fan control for energy saving function is On at the time of purchase.

To use this function, use the following steps;

1. Turn off the indoor unit by pressing [⏻/⏷].
2. Press [FAN] for at least 5 seconds until the current Fan Control "FC" status is displayed.
3. Press [TEMP. (▲/▼)] to switch between "ON" or "OFF".
4. Press [⏻/⏷] to send the setting to the indoor unit. After the status is sent, the display will automatically return to the original screen.



If no buttons are pressed within 30 seconds after the "FC" status is displayed, the system returns to the original clock display. In this case, start again from step 1.

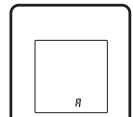
Remote controller custom code setting

When two or more air conditioners are installed in a room and the remote controller is operating an air conditioner other than the one you wish to set, change the custom code of the remote controller to operate only the air conditioner you wish to set (4 selections possible).

When two or more air conditioners are installed in a room, please contact your retailer to set the individual air conditioner custom codes.

Use the following steps to select the custom code of the remote controller. (Note that the air conditioner cannot receive a signal if it has not been set for the matching custom code.)

- 1 Press [⏻/⏷] until only the clock is displayed on the remote controller display.
- 2 Press [MODE] for at least 5 seconds to display the current custom code (initially set to A).
- 3 Press [TEMP. (▲/▼)] to change the custom code between $\rightarrow A \leftrightarrow B \leftrightarrow C \leftrightarrow D \leftarrow$. Match the code on the display to the air conditioner custom code.
- 4 Press [MODE] again to return to the clock display. The custom code will be changed.



- If no buttons are pressed within 30 seconds after the custom code is displayed, the system returns to the original clock display. In this case, start again from step 1.
- The air conditioner custom code is set to A prior to shipment. Contact your retailer to change the custom code.
- Depending on the remote controller, the custom code may return to custom code A when the batteries are replaced. In this case, if you use a code other than A, reset the code after replacing the batteries. If you do not know the air conditioner custom code setting, try each of the custom codes (A→B→C→D) until you find the code which operates the air conditioner.

Timer Operation

Note for timer settings:

Any interruption of the power supply, such as a blackout or cutting off of a circuit breaker, makes the set internal clock go wrong. In such a case, the Timer indicator on the indoor unit blinks, and you need to readjust the setting.

On timer or Off timer

- 1 Turn on the indoor unit by pressing [⏻/⏷]. Operation indicator on the indoor unit turns on. If the indoor unit is already operating, skip this step.
- 2 Press [ON TIMER] or [OFF TIMER]. Clock indicator on the remote controller display starts blinking, and Timer indicator on the indoor unit turns on.
- 3 Adjust the time by pressing [SELECT] within about 5 seconds, while the clock indicator is blinking. (About 5 seconds later, the remote controller display returns to standby screen.)

To cancel the timer and return to the normal operation, press [CANCEL]. To redo the timer setting, perform step 2 and 3.

Program timer (combined use of On timer and Off timer)

You can set an integrated On–Off or Off–On timer.

Either of the timer whose configured starting time is closer to the current time works first, and the order of the timer operation is displayed as follows:

Timer	Indicator on remote controller display
On–Off timer	ON ▶ OFF
Off–On timer	ON ◀ OFF

The timer that is set later starts counting down after the counting down of the preceding timer is finished.

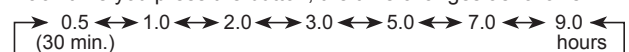
NOTES:

- If you change the setting value for the timer after the program timer is set, the counting down of the timer will be reset at that moment.
- Time setting for each combination should be within a span of 24 hours.

Sleep timer

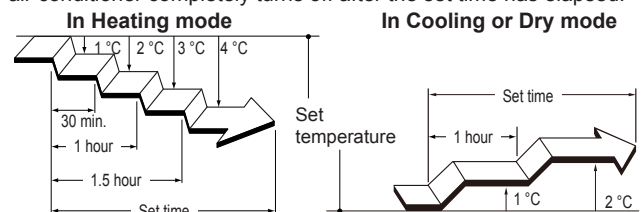
- 1 Press [SLEEP TIMER] to activate the Sleep timer. Operation indicator and Timer indicator on the indoor unit turns on.
- 2 Adjust the time by pressing [SELECT] within about 5 seconds, while the clock indicator is blinking. (About 5 seconds later, the remote controller display returns to standby screen.)

Each time you press the button, the time changes as follows:



To repeat the timer, press [SLEEP TIMER] when ◻SLEEP indicator is not displayed on the remote controller display.

To help you to fall asleep comfortably and prevent excessive warming or cooling in sleep, the Sleep timer controls the temperature setting automatically in accordance with the set time shown as follows. The air conditioner completely turns off after the set time has elapsed.



General Information on Operation

Automatic defrosting operation

When outdoor temperature is very low with high humidity, frost may form on the outdoor unit during the Heating operation, and it could reduce the operating performance of the product.

For frost protection, a microcomputer-controlled automatic defrost function is equipped in this air conditioner.

If frost forms, the air conditioner will temporarily stop, and defrost circuit will operate briefly (maximum of 15 minutes.)

The Operation indicator on the indoor unit blinks during this operation.

If frost forms on the outdoor unit after the Heating operation, the outdoor unit will stop automatically after it operates for a few minutes. Then the Automatic defrosting operation starts.

Auto-restart function

In event of power interruption such as a blackout, the air conditioner stops once. But it restarts automatically and performs previous operation when the power supply is resumed.

If any power interruption occurs after the timer is set, counting down of the timer will be reset.

After the power supply is resumed, the Timer indicator on the indoor unit blinks to notify you that there has been a timer fault. In such a case, reset the timer for your opportune time.

Heating performance

This air conditioner operates on the heat-pump principle, absorbing heat from air outdoors and transferring that heat to the indoor unit. As a result, the operating performance is reduced as outdoor air temperature drops. If you feel that the heating performance is insufficient, we recommend you to use this air conditioner in conjunction with other kinds of heating appliance.

Malfunctions caused by other electrical devices:

Use of other electrical appliances such as an electric shaver or nearby use of a wireless radio transmitter may cause the malfunction of the air conditioner.

If you encounter such a malfunction, turn off the circuit breaker once. Then turn it on again, and resume operation by using the remote controller.

Wired remote controller (option)

The optional wired remote controller can be used.

When you use remote controller, there are following different points as compared with using wireless remote controller.

[Additional functions for wired remote controller]

- Temperature set back timer

You can use both wired and wireless remote controller simultaneously. (But function is limited.)

When the restricted functions on the remote controller are used, a beeping sound will be heard, and the Operation, Timer, and Economy indicators of the indoor unit will blink.

[Restricted functions for wireless remote controller]

<Wired remote controller (Polar 3-wired)>

- Outdoor unit low noise
- 10°C Heat
- Powerful
- Timer operation

Group Control (option)

One wired remote controller can control up to 16 air conditioners.

All of the air conditioners will be operated with the same settings.

Wireless LAN control (option)

The optional wireless LAN control can be used.

Cleaning and Care

CAUTION

- ❗ Before cleaning this product, be sure to turn it off and disconnect all the power supply.
- ⊘ Before starting operation, make sure that the intake grille has been shut completely. Incomplete closing of the intake grille might have an effect on the proper working or performance of the air conditioner.
- ⊘ Do not touch the aluminum fins of heat exchanger built-in the indoor unit to avoid personal injury when you maintain the unit.
- ⊘ Do not expose the indoor unit to liquid insecticides or hair sprays.
- ⊘ Do not stand on slippery, uneven or unstable surfaces when you maintain the unit.

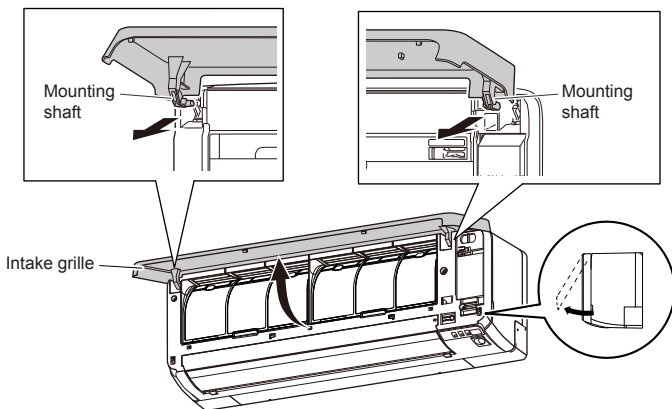
Daily care

When cleaning the indoor unit body, mind the following:

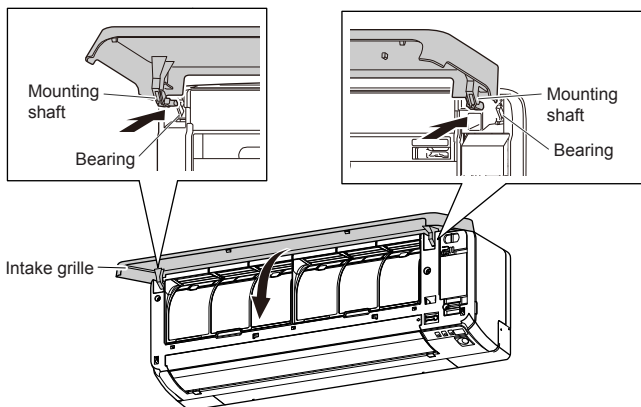
- Do not use water hotter than 40 °C.
- Do not use scouring cleanser, volatile solvents such as benzene or thinner.
- Wipe the unit gently by using a soft cloth.

Cleaning the intake grille

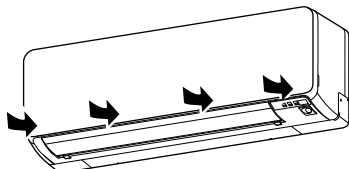
- 1 Hold the intake grille with both hands at side, then pull to the front until it becomes hooked. Keeping the intake grille in a horizontal position, pull the mounting shaft on the left and right to release.



- 2 Wash the intake grille gently with water or wipe it gently with a soft cloth moisten with warm water. Then wipe it with a dry and soft cloth.
- 3 Attach the left and right mounting shaft in the direction of the arrow to the panel top bearing while supporting the intake grille horizontally. Press this until it clicks so that each shaft snaps into place.

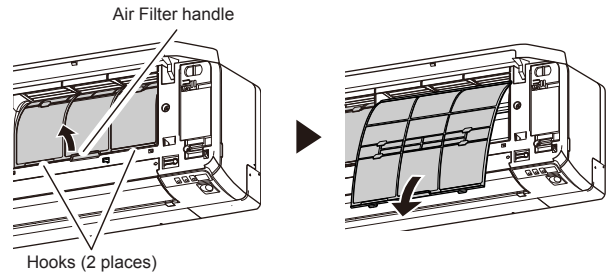


- 4 Press 4 places on the intake grille to close it completely.

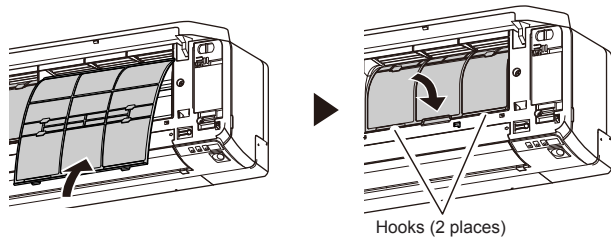


Cleaning the air filters

- 1 Open the intake grille, and remove the air filters. Lift up the air filter's handle, disconnect the two hooks, and pull out.



- 2 Remove dust with a vacuum cleaner or by washing. After washing, allow to dry thoroughly in a shaded place.
- 3 Replace the air filter and close the intake grille. (1) Align the sides of the air filter with the panel, and push in fully, making sure the two hooks are returned properly to their holes in the panel.



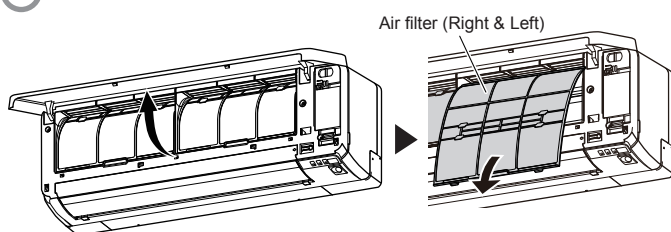
- (2) Close the intake grille.

- Dust can be cleaned from the air filter either with a vacuum cleaner, or by washing the filter in a solution of mild detergent and warm water. If you wash the filter, be sure to allow it to dry thoroughly in a shady place before reinstalling.
- If dirt is allowed to accumulate on the air filter, airflow will be reduced, lowering operating efficiency and increasing noise.
- During periods of normal use, the air filters should be cleaned every two weeks.
- Do not operate the air conditioner with the intake grille open.

Cleaning and Care (continued)

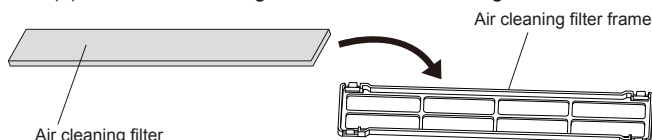
Air cleaning filter installation

- ① Open the intake grille and remove the air filters.

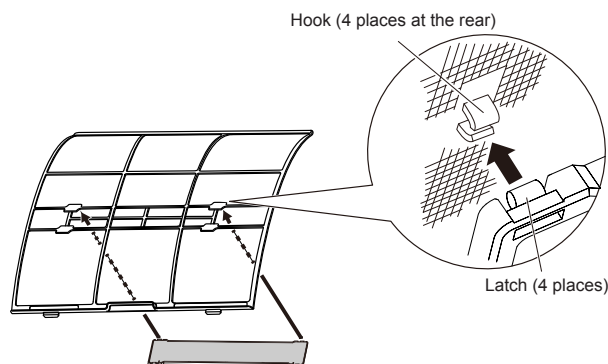


- ② Install the air cleaning filter set (set of 2).

- (1) Set the air cleaning filter into the air cleaning filter frame.



- (2) Engage the latch at each corner of the filter with the four hooks at the rear of the air cleaning filter frame.



Take care that the air cleaning filter does not project beyond the frame.

- ③ Install the two air filters and close the intake grille.

- When air cleaning filters are used, the effect will be increased by setting the fan speed to High.

Replacing dirty air cleaning filters

Replace filters with the following components (purchased separately).

- Apple-catechin filter: UTR-FA16
- Ion deodorization filter: UTR-FA16-2

- ① Open the intake grille and remove the air filters.

- ② Replace them by two new air cleaning filters.

- (1) Remove the old air cleaning filters in reverse order of their installation.
- (2) Install in the same way as for installation of the air cleaning filter set.

- ③ Install the two air filters and close the intake grille.

[In regard to the air cleaning filters]

Apple-catechin filter (1 sheet)

- The filters are disposable filters. (They cannot be washed and reused.)
- For storage of the filters, use the filters as soon as possible after the package has been opened. (The air cleaning effect decreases when the filters are left in the opened package)
- Generally, the filters should be exchanged about every 3 months.

Please buy dedicated Apple-catechin filter (UTR-FA16) (Sold separately) to exchange the used dirty air cleaning filters.

Ion deodorization filter (1 sheet) - light blue

- The filters should be exchanged about every 3 years so as to maintain the deodorizing effect.

Please buy dedicated Ion deodorization filter (UTR-FA16-2) (Sold separately) when exchanging the filters.

[Maintenance of Ion deodorization filter]

In order to maintain the deodorizing effect, please clean the filter in the following way every 3 months.

1. Remove the filter.
2. Clean with water and dry in the air.
 - (1) Flush the filters with high-pressure hot water until the surface of the filters are covered with water. Please flush with diluent neutral detergent. (Never wash by reaming or rubbing, otherwise it will damage the deodorizing effect.)
 - (2) Rinse with water flow.
 - (3) Dry in shade.
3. Reinstall the filter.

After extended non-use of the unit

If you have shut down the indoor unit for 1 month or more, perform the Fan operation for half a day to dry the internal parts thoroughly before you perform the normal operation.

Additional inspection

After long period of use, accumulated dust inside the indoor unit may reduce the product performance even if you have maintained the unit with instructed daily care or cleaning procedures written in this manual.

In such a case, a product inspection is recommended.

For more information, consult authorized service personnel.

Filter Indicator Reset (Special setting)

- This function can be used if set correctly during installation. Please consult authorized service personnel in order to use this function.
- Clean the air filter when the indicator lamp shows the following:

ECONOMY indicator lamp	Flashes 3 times, at intervals of 21 seconds
------------------------	---

After cleaning, reset the filter indicator by pushing [MANUAL AUTO] on the indoor unit for 3 seconds or less.

Troubleshooting

⚠ WARNING



In the following events, immediately stop operation of the air conditioner, and disconnect all the power supply by turning off the electrical breaker or disconnecting the power plug. Then consult your dealer or authorized service personnel.

As long as the unit is connected to the power supply, it is not insulated from the power supply even if the unit is turned off.

- Unit smells of something burning or emits smoke
- Water leaks from the unit

Following symptoms do not indicate product malfunction, but they are normal functions or characteristics of this product.

Symptom	Cause	See page
Operation is delayed after restart.	To prevent blowout of the fuse, the compressor will not operate while the protection circuit is working for about 3 minutes after sudden Off→On operation of the power supply.	–
Noise is heard.	<ul style="list-style-type: none"> • During operation or immediately after stopping the air conditioner, refrigerant flowing sound may be heard. Also it may be particularly noticeable for 2–3 minutes after starting operation. • During the operation, a slight squeaking sound produced by the minute expansion and contraction of the front panel caused by temperature change may be heard. 	–
	During the Heating operation, a sizzling sound produced by the Automatic defrosting operation may be heard.	7
Smell coming from the unit.	Various smells generated from interior textile, furniture, or cigarette smoke absorbed into the air conditioner may be emitted.	–
Mist or steam is emitted from the unit.	In the Cooling or Dry mode, a thin mist generated by condensation formed with sudden cooling process may be emitted.	–
	During the Heating operation, the fan built-in the outdoor unit may stop and rising steam generated by the Automatic defrosting operation may be seen.	7
Airflow is weak or stops.	<ul style="list-style-type: none"> • Immediately after the Heating operation is started, the fan speed stays very low temporarily to warm up the internal parts of the unit. • In the Heating mode, the outdoor unit stops and the indoor unit operates at very low fan speed if the room temperature rises above the set temperature. 	–
	In the Heating mode, the indoor unit temporarily stops for maximum of 15 minutes to perform the Automatic defrosting operation while the Operation indicator is blinking.	7
	In the Dry mode, the indoor unit operates at low fan speed to adjust the room humidity, and may stop from time to time.	–
	When the fan speed is set to Quiet, the fan rotates at very low speed and the airflow is reduced.	–
	In the Cooling mode, the indoor unit fan may stop from time to time when the outdoor unit is stopped.	4
	When the monitoring operation is performed in the Auto mode, the fan rotates at very low speed.	–
Outdoor unit emits water.	During the Heating operation, the outdoor unit may emit water generated by the Automatic defrosting operation.	7

When the filter sign is set, the LED lamp may flash. In this case, please refer to "Filter Indicator Reset (Special setting)".

Before you call for or request servicing, troubleshoot a problem by performing following checks:

Symptom	Diagnostic	See page
Does not operate at all.	<input type="checkbox"/> Has the circuit breaker been turned off? <input type="checkbox"/> Has there been a power outage? <input type="checkbox"/> Has a fuse blown out or the circuit breaker been tripped?	–
	<input type="checkbox"/> Is the timer operating?	6
Poor cooling or heating performance.	<input type="checkbox"/> Is the air filter dirty?	8
	<input type="checkbox"/> Is the intake grille or outlet port of indoor unit blocked?	–
	<input type="checkbox"/> Is the room temperature adjusted appropriately?	4
	<input type="checkbox"/> Is a window or door left opened? <input type="checkbox"/> Is direct or strong sunlight shining into the room in the Cooling operation? <input type="checkbox"/> Are there other heating apparatus or computers operating, or too many people in the room in the Cooling operation?	–
	<input type="checkbox"/> Is the fan speed set to Quiet? When the fan speed setting is set to Quiet, noise reduction is prioritized and the air-conditioning performance may become lower. If the volume of provided airflow is not agreeable to your preference, set the fan speed to Low or higher fan speed.	5
	<input type="checkbox"/> Has the Outdoor Unit Low Noise mode been set?	5
The unit operates differently from the remote controller setting.	<input type="checkbox"/> Are the batteries used in the remote controller exhausted? <input type="checkbox"/> Are the batteries used in the remote controller loaded properly?	2

Immediately stop operation and turn off the electrical breaker in following cases. Then consult authorized service personnel.

- The problem persists even if you perform these checks or diagnostics.
- The Operation indicator and Timer indicator blink while the Economy indicator is blinking fast.