

ELECTRIC SALAMANDERS

SALAMANDRES ELECTRIQUES

ELEKTRISCHE SALAMANDER

HI LITE / HI TOUCH

SH2.... SH3.... SH4....
SFH3.... SHP3....
SHP4.... ST3.... ST4....



ENGLISH: Installation, Operation and Maintenance Manual
FRANCAIS : Manuel d'Installation, d'Utilisation et d'Entretien
DEUTSCH: Installations, Benutzungs und Wartungshandbuch





Contents

1. INSTALLATION	5
1.1 General and safety warnings	5
1.2 Positioning	8
1.3 Electric connection	8
2. INSTRUCTIONS FOR HI-LITE MODELS	9
2.1 Starting	9
2.2 Setting.....	10
3. INSTRUCTIONS FOR MODELS WITH PLATE (fitted with plate)	12
3.1 Starting	12
3.2 Setting.....	12
4. INSTRUCTIONS FOR HI TOUCH MODELS (fitted with plate)	15
4.1 Functioning.....	15
4.2 Setting.....	15
4.3 User interface	16
5. CLEANING AND MAINTENANCE	17
5.1 Routine Maintenance	17
6. DISPOSAL OF THE APPLIANCE	18

Dear Customer,

Thank you for purchasing one of our products.

This oven is part of a series of electrical equipment designed for the food sector. Our ovens are easy to use, ergonomic and enable cooking control, while boasting a pleasant and modern design.

The oven has a 12 month warranty that covers any manufacturing defects from the date indicated on the Bill of Sale. The warranty covers normal operation of the oven and does not include consumables (lamps, seals etc..) and damages caused by incorrect installation, wear, maintenance, repair, incorrect cleaning and descaling, tampering and improper use.



1. INSTALLATION

1.1 General and safety warnings

- Carefully read this manual before installation and commissioning of the appliance, as the text provides important indications concerning appliance safety in installation, operation and maintenance.
- Store this manual with care and in an easily accessible place for any further referencing by operators.
- Always attach the manual in the event of transfer of the appliance; should it be required, a new copy must be obtained from the authorised dealer or directly from the manufacturer.
- As soon as packaging is removed, ensure the appliance is intact and does not show any damage caused by transport. In no case shall a damaged appliance be installed and commissioned; if in doubt immediately contact the technical support or your dealer.
- Before connecting the appliance ensure the power cable supplied is not damaged, in which case the cable must be replaced by the service or by qualified personnel.
- Before connecting the appliance ensure the rated data match those of the electricity distribution network.
- For direct connection to the power supply network it is required to interpose a device between the appliance and the network, to assure disconnection and whose contacts have an opening distance such as to assure complete disconnection in overvoltage category III conditions, in compliance with installation rules.
- Appliance installation, extraordinary maintenance and repair operations must be solely effected by professionally skilled personnel and following the manufacturer's instructions.

-
- The appliance has been designed to cook foodstuffs in closed environments and must be used only for this function. Any different use must therefore be avoided as it is considered improper and dangerous.
 - The appliance must only be used by personnel suitably trained in its use. To avert the risk of accidents or damage to the appliance it is also essential for the personnel to regularly receive precise instructions on safety.
 - The appliance must not be used by persons with limited physical, sensory or mental abilities or by persons without experience and knowledge, unless they are supervised or instructed with regards to appliance use by a person responsible for their safety.
 - Children should be supervised to ensure they do not play with the appliance nor use it.
 - Before commissioning the appliance ensure all packaging parts have been removed, then make sure to dispose of them in compliance with current regulations.
 - In the event the appliance should be positioned against a wall, the wall must withstand temperature of 80°C and if flammable, application of thermal insulation is compulsory.
 - Do not obstruct the extraction or heat disposal openings or slits.
 - During operation it is required to pay attention to the hot areas of the outer surface of the appliance which, during operation, may even exceed 60° C.
 - Do not deposit nor use flammable substances near the appliance.
 - In the event of fault or malfunctioning, the appliance must be disabled; for any repairs solely contact a technical support centre authorised by the

manufacturer and demand original spare parts.

- Any modification to appliance installation that should be required shall be approved and performed by authorised technical personnel.
- The appliance is only intended for professional use and by qualified personnel.
- Power off the appliance before performing any maintenance or repair.
- No modifications to the appliance's wiring of any kind are admissible.
- In the event of prolonged appliance disuse, the supply of electricity must be discontinued.
- Failure to comply with the above warnings may jeopardise the appliance's safety as well as your own.
- The information plate provides important technical information: these are essential if interventions must be requested for

maintenance or repairs of the appliance; therefore, it must not be removed, damaged or modified.

- The equipment complies with the essential requirements of the Machinery Directive 2006/42/EC.
- The equipment complies with the essential requirements of the Electromagnetic Compatibility Directive 2014/30/EC.
- The equipment complies with the essential requirements of the Low Voltage Directive 2014/35/EC.

1.2 Positioning

Remove the unit from the packaging and make sure it is in perfect condition.

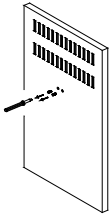


Fig. 1

Before installing the appliance, remove the two screws blocking the heating element from the back (**Fig. 1**)

Place the unit where it is going to be used, keeping it away from walls, flammable cladding materials or other flammable parts. Position the

salamander under an exhaust hood to guarantee complete aspiration of the steam produced when cooking. Do not install the appliance above hot surfaces.

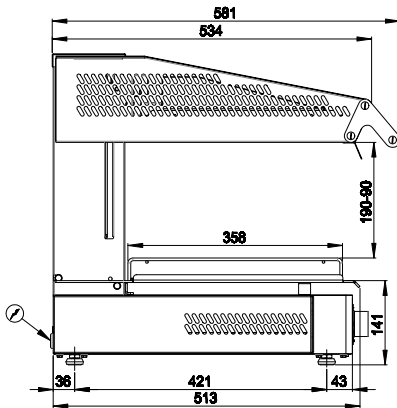


Fig. 2

Level and adjust the height of the unit by means of the levelling feet.

Take the protective film off the outer panels, pulling it away slowly so no traces of glue are left.

Do not obstruct the aspiration or heat vents.

If you put the unit on a table, leave at least 50 mm between the back of the unit and the rear wall (**Fig. 2**).

To wall mount the salamander use the wall-mounting brackets and screws and inserts suitable for the type of wall and unit weight.

1.3 Electric connection

Before connecting the unit to the mains check that both the voltage and frequency on the rating plate are the same as those of the electrical supply system you are using.

The unit is delivered ready for use indicated on the rating plate located on the side of the appliance.

To connect the unit to the mains, thread the cable type H07RN-F (cut down to the right length) through the hole on the back of the appliance and connect to the junction box on the right side following the guidelines

in the electric table . Then fit a standard plug rated for the load absorbed onto the power cable and plug into a suitable socket after making sure that the socket is properly earthed in accordance with current standards.

For a direct connection to the mains it is necessary to interpose a 4-pole switch between the unit and the mains, rated for the load and with contacts that have a minimum opening distance of 3 mm.

MOD	XXXX	NR	XXXXXXXX/XX/XX		
POWER SUPPLY	xxxV xN xx/xx Hz				
TOT POWER kW	XX	CE	IP	G _K	

Fig. 3

When the unit is running check that the supply voltage is $\pm 10\%$ of the rated voltage value.

In addition, the unit must be connected to an equipotential system which must be checked following the guidelines of the current regulations.

2. INSTRUCTIONS FOR HI-LITE MODELS

The unit should only be used for the designated purpose. Any other use is improper. Do not leave appliance unattended when in use.

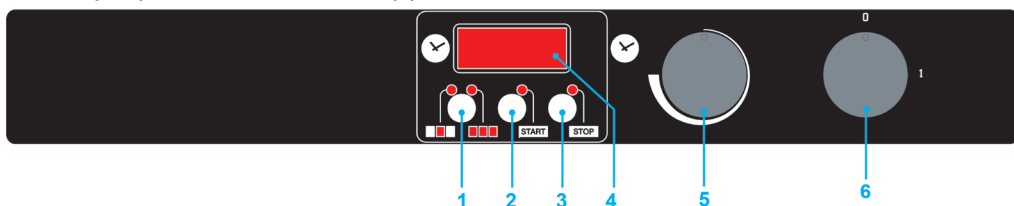


Fig. 4

2.1 Starting

This unit is designed for cooking, warming, grilling and keeping food hot with high temperature infrared rays produced by a heat source located in the top of the unit. By adjusting the grill hood height, it is possible to regulate the heat on the food to be cooked. The greater the distance between the food and the heating element the lower the heat intensity.

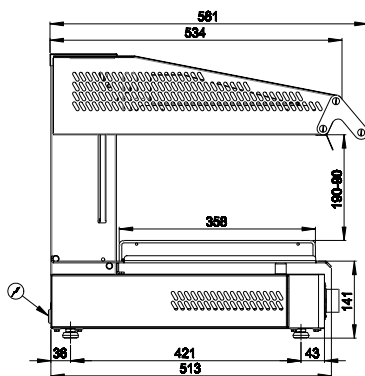


Fig. 5

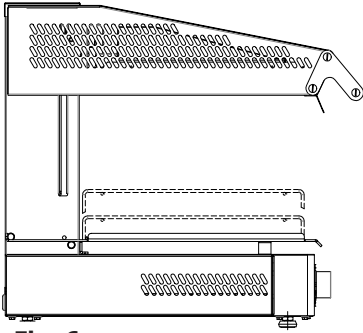


Fig. 6

Before turning the salamander on for the first time, remove all the packaging material and clean the unit thoroughly, removing all the protective industrial grease as follows:

- clean the unit with a damp sponge and a mild detergent;
- rinse the grill with clean water.

2.2 Setting

It refers to **fig.4**.

1. Heating elements selection:

units with two resistances: if the L1 LED is on the two resistances are working at maximum power, if the right L2 LED is on the two resistances operate alternately;

units with three and four resistances: if the left L1 LED is on only central resistances are working, if the right L2 LED is on the unit is working at maximum power and the central resistances operate alternately.

2. **START** button

3. **STOP** button. It can also be used to stop the buzzer.

4. **Set time display**

5. **Timer**

6. **Main switch** (units without holding): 0= OFF ; 1 = ON

7. **Main switch** (units with holding): 0=OFF; 1=Preheat/holding; 2=0

SALAMANDER WITH THREE HEATING ELEMENTS

SWITCHING ON:

- Switch on main switch upstream of appliance.

-
- Turn knob (6) to position 1.
 - Set the cooking time (15 sec. to 20 min) by rotating knob (5). The set time will be shown on display (4).
 - Select the heating element by pressing button (1).

In the version with 3 heating elements, if light (2) is on, the central resistance goes on and off at regular intervals during cooking.

In the version with 4 heating elements, if light (2) is on, the two central resistances go on and off at regular intervals during cooking.

This system for switching on and off central resistances guarantees even heat distribution over the entire appliance surface.

- Press button (2) to start the cooking session.
- At the end of the set cooking time the salamander will switch off automatically and the buzzer will go off. Press button (3) to switch it off.

N.B.:

- By pressing button (2) again, the salamander will start a new cooking session just like the one previously set.
- The salamander will switch off with no buzzer by pressing button (3) during the cooking session.

SWITCHING OFF:

- Press button (3).
- Set knob (6) to position 0.
- Switch off the switch upstream of the appliance.

3. INSTRUCTIONS FOR MODELS WITH PLATE (fitted with plate)

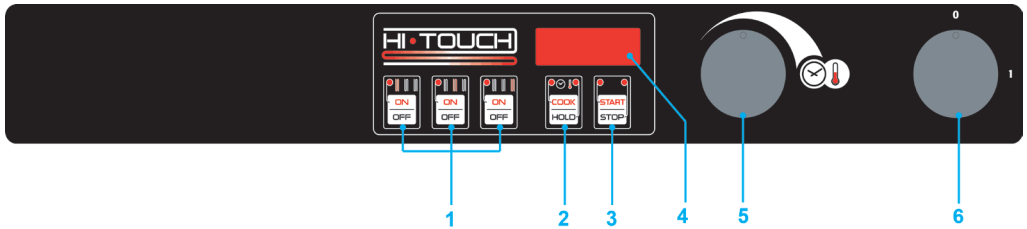


Fig. 7

The unit should only be used for the designated purpose. Any other use is improper. Do not leave appliance unattended when in use.

3.1 Starting

COOKING mode:

By adjusting the grill hood height, it is possible to regulate the heat on the food to be cooked. The greater the distance between the food and the heating element the lower the heat intensity.

In appliances with fixed grill hood (SFH..) adjust the intensity of the heat through the positioning of the tray on different levels as shown in **Fig 6**.

ATTENTION: The grill may be hot! Be careful while handling it.

HOLD mode:

movement of the salamander must be at maximum height above hob level (**Fig. 5**).

Thanks to the side heating elements turning on and off, the food on the tray will maintain the cooking temperature reached during the previous cooking cycle.

3.2 Setting

Before turning the salamander on for the first time, remove all the packaging material and clean the unit thoroughly, removing all the protective industrial grease as follows:

- clean the unit with a damp sponge and a mild detergent;
- rinse the grill with clean water.

Key Fig. 7:

- 1a** Left heating element selection
- 1b** Central heating element/s selection
- 1c** Right heating element selection
- 2** Cooking (COOK) or hold (HOLD) mode selection
- 3** START button and STOP button
- 4** Display
- 5** Encoder for setting cooking time or hold mode
- 6** Main switch.

COOKING mode

SWITCHING ON:

- Switch on main switch upstream of appliance.
- Turn knob (6) to position 1.
- Display (4) flashes showing the last setting.
- Start the COOK function by pressing button (2): the corresponding LED will come on.
- Set cooking time by turning the encoder (5): the time is shown on the display (4).
- Turn on the heating elements you wish to use by pressing the corresponding buttons (1). The element is on when the corresponding LED is on. If all three (or four) heating elements are selected, the centre one switches on and off at regular intervals to ensure even distribution of heat all over tray surface.
- There are two ways of starting the cycle.

MANUALLY:

press button (3) activating the START function (the corresponding LED will come on).

AUTOMATICALLY (WITH THE PLATE):

Put the tray with the food to be cooked towards the back of the hob to trigger the detection mechanism.

The unit will automatically go to the START mode and the cooking cycle will begin.

SWITCHING OFF:

The cooking cycle stops automatically giving an acoustic signal when the set time is finished. If no time has been set, the system stays in the START mode until the tray is taken off the hob or button (3) is pressed causing the corresponding STOP LED to come on.

Turn knob (6) to position 0.

Switch off the switch upstream of the salamander.

N.B.: the operator can STOP-START the unit or turn the heating elements on or off at any time by pressing buttons on the panel (1) or by using the encoder (5) to set the cooking time.

HOLD mode

SWITCHING ON:

- Switch off the mains switch upstream of the appliance.
- Turn knob (6) to position 1.
- Display (4) flashes showing the last setting.
- Start the HOLD function by pressing button (2): the corresponding LED will come on.
- Set the intensity (1 to 8) by turning the encoder (5). The set value will be shown on display (4).
- There are two ways of starting the cycle:

MANUALLY:

press button (3) activating the START function (the corresponding LED will come on).

AUTOMATICALLY (WITH THE PLATE):

put the tray with the food to be cooked towards the back of the hob to trigger the detection mechanism.

The unit will automatically go to the START mode and the cooking cycle will begin.

SWITCHING OFF:

- The hold cycle will only finish when the tray is taken off the hob or when key (3) is pressed causing the corresponding STOP LED to come on.
- Turn knob (6) to position 0.
- Switch on the switch upstream of the appliance.

4. INSTRUCTIONS FOR HI TOUCH MODELS (fitted with plate)

The unit should only be used for the designated purpose. Any other use is improper. Do not leave appliance unattended when in use.

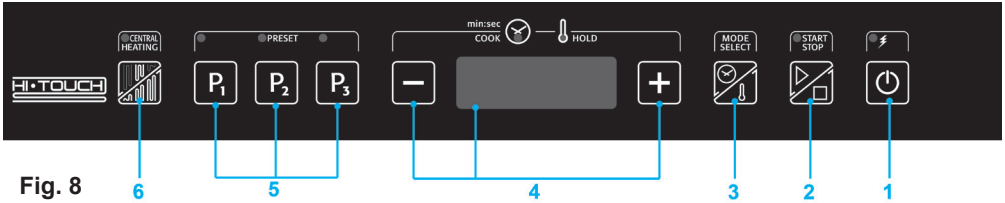


Fig. 8

4.1 Functioning

COOKING mode:

By adjusting the grill hood height, it is possible to regulate the heat on the food to be cooked. The greater the distance between the food and the heating element the lower the heat intensity.

HOLD mode:

The grill hood must be at the maximum height above hob level (**Fig. 6**). The alternating side heating elements keep food on the tray at the cooking temperature reached during the cooking cycle.

4.2 Setting

Before turning the salamander on for the first time, remove all the packaging material and clean the unit thoroughly, removing all the protective industrial grease as follows:

- clean the unit with a damp sponge and a mild detergent;
- rinse the grill with clean water.

4.3 User interface

It's refers to **fig.8**.



On/off button; when the appliance is switched off all the functions are switched off as well.



This button allows you to start or stop cooking and hold modes;



This button allows you to select either cooking or hold modes in case of manual cooking; in case of program selection you can pass from cooking mode to hold mode and viceversa;



These buttons increase or decrease cooking time and/or heat intensity of the hold mode



This button allows you to set the cooking session with all resistances or just the central resistances;



These buttons cannot be used when the appliance is in START mode; thus the following instructions only refer to ON or STOP mode; you can select a program by briefly pressing the corresponding button. You can enter the program selection mode by holding down the button; you can then save current settings and go back to normal functioning by briefly pressing the same button again;

MANUAL MODE

Switch on the salamander by pressing the ON/OFF button

Press the MODE SELECT button to select the type of mode (cooking or hold – the corresponding LED above the display will come on)

Set time and intensity and then press START or place the plate on the plate detection device to start the session (cooking mode will terminate once the time set ends and a buzzer will sound); pressing the START/STOP button or removing the plate (the plate detection device switches appliance off) will cause the HOLD mode to switch off.

AUTOMATIC MODE

Switch on the salamander by pressing the ON/OFF button

Select the desired program by pressing the P1 or P2 or P3 button

Press START or place the plate on the plate detection device as in the manual mode.

SETTING A PROGRAM

Switch on the appliance by pressing the ON/OFF button

Hold down the desired program button (P1 or P2 or P3) until the display starts flashing

Set the cooking or hold mode by pressing the SELECT/MODE button, then set the time using the + and - buttons

If the cooking mode has been selected it is possible to set a hold mode session at the end of the cooking session by pressing the SELECT/MODE button immediately after setting the time and then setting the heat intensity from 1 to 8. You can save the program by pressing the button again. If you press the program button again without setting a hold mode session first, the cooking session only will be saved.

SWITCHING OFF

After use switch off appliance using ON/OFF switch and omnipolar switch upstream of appliance.

5. CLEANING AND MAINTENANCE

5.1 Routine Maintenance

At the end of each working day the unit must be cleaned both for reasons of hygiene as well as to prevent malfunctions.

Disconnect the unit from the electricity supply before starting.

Clean all stainless steel parts with warm, soapy water, rinse thoroughly and dry with care. Do not use products containing chlorine (e.g. bleach).

Do not clean the unit with jets of water or high pressure water. Do not use metal cleaning pads, brushes or scrapers made of ordinary steel. If necessary, use stainless steel wool, rubbing in the direction of the satin finish.

If the unit is left unused for any length of time, apply a thin protective layer of Vaseline oil over all stainless steel parts with a cloth; ensure that the room is regularly aired as well.

6. DISPOSAL OF THE APPLIANCE

At the end of its life span, the appliance must be disposed of in accordance with legal obligations.

The symbol in **Fig. 9** specifies that, at the end of its life span, the appliance must be disposed of according to the indications of the European Parliament Directive 2012/19/EU dated 04/06/2012.



Fig. 9

Information regarding disposal in nations of the European Union

The European Community Directive regarding WEEE equipment has been implemented differently by each nation, therefore if his appliance is to be disposed of, we suggest you contact the local authorities or the dealer to find out the correct method of disposal.



Sommaire

1. INSTALLATION	21
1.1 Mises en garde générales et de sécurité	21
1.2 Positionnement	24
1.3 Branchement électrique	24
2. INSTRUCTIONS POUR L'UTILISATION DES MODELES HI-LITE	25
2.1 Mise en service	25
2.2 Preparation	26
3. INSTRUCTIONS POUR L'UTILISATION DE MODELES EN PRESENCE DE PLAT	28
3.1 Mise en service	28
3.2 Preparation	28
4. INSTRUCTIONS POUR L'UTILISATION HI TOUCH (en présence de plat)	31
4.1 Mise en service	31
4.2 Preparation	31
4.2 User interface	32
5. NETTOYAGE ET ENTRETIEN	33
5.1 Entretien Ordinaire	33
6. MISE AU REBUT DE L'APPAREIL	34

Cher Client,

Nous vous remercions d'avoir choisi l'un de nos produits.

Ce four fait partie d'une ligne d'appareils électriques conçus pour la gastronomie. Ce sont des fours qui renferment une grande facilité d'utilisation, d'ergonomie et de contrôle de la cuisson dans un design agréable et moderne.

Le four est garanti 12 mois contre les éventuels défauts de fabrication à partir de la date indiquée sur la facture de vente. La garantie couvre le fonctionnement normal du four et exclut les matériaux consommables (les ampoules, les joints, etc.) et les pannes causées par l'installation, l'usure, la maintenance, la réparation, la décalcification et le nettoyage erronés, les manipulations et l'utilisation impropre.

1. INSTALLATION

1.1 Mises en garde générales et de sécurité

- Lire attentivement ce manuel avant l'installation et la mise en fonction du four car ce texte fournit des indications importantes concernant la sécurité de l'installation, de l'utilisation et de la maintenance de l'appareil.
- Conserver avec soin et dans un lieu facile d'accès ce manuel pour toute consultation future par des opérateurs.
- En cas de déplacement du four il faut toujours annexer le manuel; demander, si nécessaire, une nouvelle copie au revendeur autorisé ou directement au fabricant.
- Dès que l'emballage est retiré, vérifier que l'appareil soit intègre et qu'il ne présente aucun dommage causé par le transport. Un appareil endommagé ne doit en aucun cas être installé et mis en fonction; dans le doute contacter immédiatement l'assistance technique ou votre revendeur de confiance.
- Avant de connecter l'équipement assurez-vous que le cordon d'alimentation ne soit pas endommagé, auquelcas le câble doit être remplacé par le service à la clientèle ou par du personnel qualifié
- Avant d'installer l'appareil, vérifier que les installations soient conformes aux normes en vigueur dans le pays d'utilisation et aux données figurant sur la plaque signalétique.
- Pour le branchement direct au réseau d'alimentation, il faut interposer entre l'appareil et le réseau, un dispositif qui en assure la déconnexion et dont les contacts aient une distance d'ouverture qui permet la déconnexion totale dans les conditions de la catégorie de surtension III, conformément aux règles d'installation.
- L'installation, la maintenance extraordinaire et les opérations de réparation

de l'appareil doivent être effectuées uniquement par un personnel professionnellement qualifié et en suivant les instructions du constructeur.

- L'appareil a été conçu pour cuisiner des aliments dans des lieux fermés et doit être uniquement être utilisé pour cette fonction : par conséquent, toute utilisation différente doit être évitée car elle est impropre et dangereuse.
- L'appareil doit être utilisé uniquement par un personnel convenablement formé sur son utilisation. Pour éviter le risque d'accidents ou de dommages causés à l'appareil il est en outre fondamental que le personnel reçoive régulièrement les instructions précises concernant la sécurité.
- L'appareil ne doit pas être utilisé par des personnes ayant des capacités physiques, sensorielles ou mentales réduites, ou par des personnes sans expériences et sans connaissances, à moins que ces dernières ne soient supervisées ou formées pour l'utilisation de l'appareil, par un personnel responsable de leur sécurité.
- Les enfants doivent être surveillés pour s'assurer qu'ils ne jouent ou utilisent l'appareil.
- Durant le fonctionnement il est nécessaire de prêter attention aux zones chaudes de la surface externe de l'appareil qui, en conditions de service, peuvent même dépasser les 60°C.
- En cas de panne ou de dysfonctionnement, l'appareil doit être désactivé; pour son éventuelle réparation, s'adresser uniquement à un centre d'assistance technique autorisé par le constructeur et exiger des pièces de rechange d'origine.
- Avant d'intervenir sur l'appareil pour l'installation ou pour la maintenance, le débrancher de l'alimentation électrique.
- Ne pas déposer ni utiliser de substances inflammables à proximité de l'appareil.
- En cas d'inutilisation

prolongée, l'alimentation en énergie électrique doit être coupée.

- Avant la mise en marche de l'appareil, contrôler d'avoir retiré toutes les pièces de l'emballage, en prenant soin ensuite de les éliminer de manière conforme aux normes en vigueur.
- Si l'appareil est placé contre un mur, ce dernier doit résister à une température de 80 °C et, s'il est inflammable, l'application d'un isolant thermique est obligatoire.
- Ne pas boucher les ouvertures ou les fentes d'aspiration ou d'élimination de la chaleur.
- Toute modification apportée à l'installation de l'appareil qui pourrait s'avérer nécessaire devra être approuvée et effectuée par un personnel technique autorisé.
- L'appareil est destiné à un usage uniquement professionnel.
- Aucun type de modification au câblage de l'appareil

n'est admis.

- Le non-respect des mises en garde précédentes peut compromettre la sécurité de l'appareil mais aussi la vôtre.
- La plaque signalétique fournit des informations techniques importantes : elles sont indispensables en cas de demande d'intervention pour une maintenance ou une réparation de l'appareil ; il est par conséquent recommandé de ne pas l'enlever, de ne pas l'endommager ni de la modifier.
- L'appareil est conforme aux exigences essentielles requises par la Directive Machine 2006/42/CE.
- L'appareil est conforme aux exigences essentielles requises par la directive de compatibilité électromagnétique 2014/30/CE.
- L'appareil est conforme à l'exigence essentielle requise par la directive de basse tension 2014/35/CE.

1.2 Positionnement

Retirer l'appareil de son emballage et vérifier qu'il soit intact.

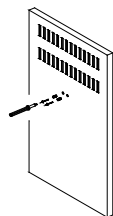


Fig. 1

Avant d'installer l'appareil, enlever les deux vis qui bloquent l'enveloppe chauffante et situées sur la partie arrière (**Fig. 1**)

Installer l'appareil sur le lieu d'utilisation en veillant à ne pas le placer contre murs et revêtements en matériau inflammable ni sur un support en matériau inflammable. Placer la salamandre sous une hotte d'aspiration pour garantir la totale aspiration des vapeurs qui se dégagent durant la cuisson. Ne pas installer l'appareil sur des surfaces chaudes.

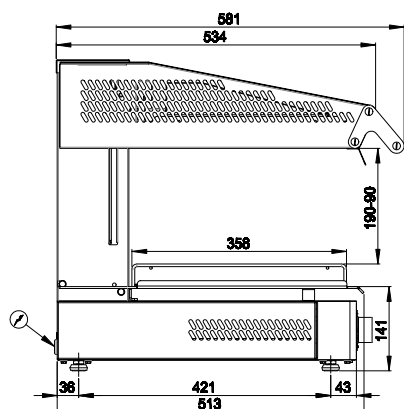


Fig. 2

Ajuster l'horizontalité et procéder au réglage en hauteur en agissant sur les pieds niveleurs.

Retirer des panneaux externes la pellicule protectrice: la détacher lentement pour éviter que des traces de colle ne restent présentes sur la surface.

Ne pas obstruer les ouvertures ni les fentes d'aspiration ou de dissipation de la chaleur.

Dans le cas où l'appareil serait installé sur une table, la distance minimum à maintenir entre la partie postérieure de l'appareil et le mur doit être au moins de 50 mm (**Fig. 2**).

Pour l'installation murale de la salamandre, il est nécessaire d'utiliser des consoles prévues à cet effet, lesquelles doivent être fixées à l'aide de vis et de chevilles métalliques adaptées au matériau dont le mur est constitué et au poids de l'appareil.

1.3 Branchement électrique

Avant le branchement électrique, s'assurer que tension et fréquence reportées sur la plaque des données techniques correspondent à celles du secteur d'alimentation présent.

Tel qu'il est livré, l'appareil est prévu pour le fonctionnement indiqué sur la plaque des données techniques apposée sur le côté de l'appareil.

Pour le branchement, il est nécessaire d'accéder au porte-borne d'alimentation situé sur le flanc droit de la salamandre, introduire le câble (H07RN-F), opportunément dimensionné, à travers l'orifice passe-câbles sur la partie arrière de la machine et ensuite le relier au porte-borne selon le schéma électrique. Il suffit alors de raccorder

au câble d'alimentation une fiche normalisée adaptée à la charge absorbée et la brancher à une prise de courant en s'assurant d'abord que cette dernière est pourvue d'un contact de terre conformément aux normes en vigueur.

Pour un branchement direct au secteur d'alimentation, il est nécessaire d'intercaler entre l'appareillage et le secteur d'alimentation, un interrupteur omnipolaire dimensionné à la charge dont les contacts auraient une distance minimum d'ouverture de 3 mm minimum.

MOD	XXXX	NR	XXXXXX/XX/XX
POWER SUPPLY	xxxV xN xx/xx Hz		
TOT POWER kW	XX	CE	IP G _K

Fig. 3

La tension d'alimentation, lorsque l'appareil est en marche, ne doit pas s'écarter de la tension nominale de $\pm 10\%$.

En outre, l'appareil doit être raccordé à un circuit équipotentiel dont l'efficacité doit être opportunément contrôlée sur la base des normes en vigueur.

2. INSTRUCTIONS POUR L'UTILISATION DES MODELES HI-LITE

L'appareil ne doit en aucun cas être utilisé pour un usage autre que celui prévu. Toute autre utilisation doit être considérée comme impropre. Durant son fonctionnement, veiller à surveiller l'appareil.

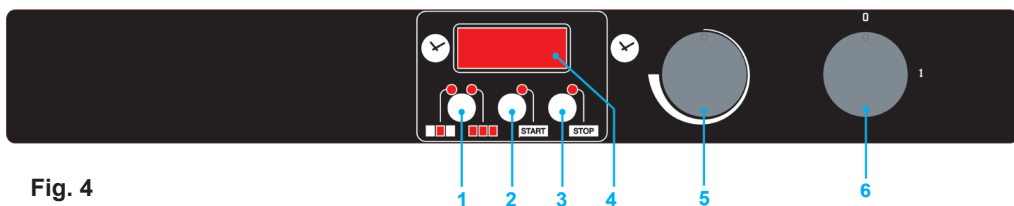


Fig. 4

2.1 Mise en service

L'appareil est conçu pour cuire, chauffer et griller des aliments par l'intermédiaire de rayons infrarouges à très haute température; ces rayons sont émis par une source de chaleur logée dans la partie supérieure de l'appareil. Avec le positionnement divers du couvercle, on obtient un réglage de l'intensité de la chaleur sur les aliments à cuire. Plus la distance entre l'aliment et la source

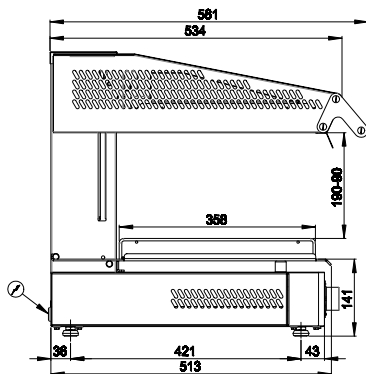


Fig. 5

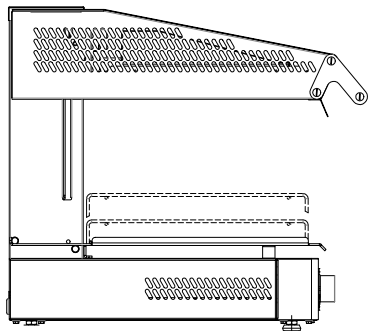


Fig. 6

de rayonnement est grande, moindre est l'intensité de pénétration de la chaleur.

Avant de mettre en service la salamandre, il est nécessaire de retirer l'emballage et de procéder à un nettoyage pour éliminer les graisses industrielles de protection en procédant comme suit:

- nettoyer l'appareil à l'aide d'une éponge humidifiée avec de l'eau et du détergent neutre;
- rincer la grille avec de l'eau propre.

2.2 Preparation

Légende **fig.4.**

1. Sélection des éléments chauffants:

Machines à deux résistances: avec la led à gauche allumée, les deux résistances fonctionnent à pleine puissance, avec la led à droite allumée les deux résistances s'enclenchent.

Machines à trois et quatre résistances: avec la led à gauche allumée, seulement les résistances centrales fonctionnent ; avec la led à droite allumée, la machine fonctionne à pleine puissance et les résistances centrales s'enclenchent.

2. Touche de mise en marche **START**

3. **Touche d'arrêt STOP.** Elle sert aussi à interrompre le signal sonore.

4. **Ecran temps sélectionné**

5. **Minuterie**

6. **Interrupteur principal** (salamandres sans maintien): 0 = OFF, 1 = ON

7. **Interrupteur principal** (salamandres avec maintien): 0 = OFF, 1 = préchauffage / maintien, 2 = ON

SALAMANDRE AVEC 3 ELEMENTS CHAUFFANTS

ALLUMAGE:

- Ouvrir l'interrupteur principal en amont de l'appareil.
- Mettre la poignée 6 à la position 1.

-
- Sélectionner le temps de cuisson (15 s. - 20 min.) en tournant la poignée 5. Le temps sera affiché sur l'écran 4.
 - Sélectionner la source de chaleur en pressant la touche 1.

Dans la salamandre à 3 éléments chauffants et au cas où l'on sélectionne l'indicateur lumineux 2, durant la cuisson, la résistance médiane s'allume et s'éteint à intervalles réguliers.

Dans la salamandre à 4 éléments chauffants et au cas où l'on sélectionne l'indicateur lumineux 2, durant la cuisson, les deux résistances centrales s'allument et s'éteignent à intervalles réguliers.

Ce système d'enclenchement/désenclenchement des résistances centrales permet une distribution uniforme de la chaleur sur toute la surface de l'appareil.

- Presser la touche 2 pour faire partir la cuisson.
- Quand le temps de cuisson sélectionné est terminé, la salamandre s'éteindra automatiquement et actionnera un buzzer que l'on pourra éteindre en pressant la touche 3.

ATTENTION:

- En pressant à nouveau la touche 2, la salamandre commencera un autre cycle identique à celui précédemment sélectionné.
- Si la touche 3 est pressée durant le fonctionnement, la salamandre s'éteint sans activer aucun signal sonore.

ARRET:

- Presser la touche 3.
- Mettre la poignée 6 sur la position 0.
- Fermer l'interrupteur situé en amont de la salamandre.

3. INSTRUCTIONS POUR L'UTILISATION DE MODELES EN PRESENCE DE PLAT

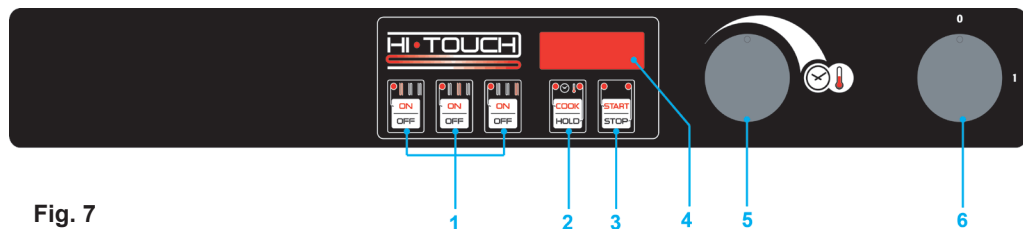


Fig. 7

L'appareil ne doit en aucun cas être utilisé pour un usage autre que celui prévu. Toute autre utilisation doit être considérée comme impropre. Durant son fonctionnement, veiller à surveiller l'appareil.

3.1 Mise en service

Modalité CUISSON:

le réglage de la hauteur du module de chauffe permet d'obtenir le réglage de l'intensité de la chaleur sur les aliments à cuire; plus la distance entre aliments et source de rayonnement est grande, moindre est l'intensité de pénétration de la chaleur.

Dans les appareils ayant module de chauffage fixe (SFH), il faut réguler l'intensité de la chaleur à travers la position de la grille dans les différents niveaux – voir **Fig 6**.

ATTENTION: la grille pourrait être très chaude et causer des brûlures. Manier avec précaution!

Modalité MAINTIEN:

le mouvement de la salamandre doit être à la hauteur maximum au-dessus du niveau du plan de cuisson (**Fig. 5**).

Le fonctionnement à intermittence des résistances latérales permet de maintenir durablement les aliments présents sur le plateau à la température atteinte lors de la phase précédente de cuisson.

3.2 Preparation

Avant de mettre en service la salamandre, il est nécessaire de retirer l'emballage et de procéder à un nettoyage pour éliminer les graisses industrielles de protection en procédant comme suit:

- nettoyer l'appareil à l'aide d'une éponge humidifiée avec de l'eau et du détergent neutre;

-
- rincer la grille avec de l'eau propre.

Légende **Fig. 7:**

- 1a.** Sélection de l'élément chauffant gauche
- 1b.** Sélection de(s) élément(s)/i chauffant(s) central/aux
- 1c.** Sélection de l'élément chauffant droit
- 2.** Sélection modalité de cuisson (COOK) ou de maintien (HOLD)
- 3.** Touche de mise en marche START et d'arrêt STOP
- 4.** Ecran
- 5.** Encodeur pour la sélection du temps de cuisson ou du programme de maintien
- 6.** Interrupteur général.

MODALITE DE CUISSON

ALLUMAGE:

- Placer l'interrupteur principal en amont de l'appareil sur la position ON.
- Mettre la poignée (6) sur la position 1.
- L'écran (4) se met à clignoter et visualise la dernière donnée sélectionnée au préalable.
- Activer la fonction de cuisson COOK en appuyant sur la touche (2): la led correspondante doit s'allumer.
- Programmer la durée de cuisson en tournant l'encodeur (5), le temps sera affiché sur l'écran (4).
- Activer les éléments chauffants à utiliser en appuyant sur les touches correspondantes (1). L'élément est activé lorsque la led de référence est allumée. Dans le cas où seraient sélectionnées les trois résistances (ou les quatre résistances), la résistance centrale assure une modulation automatique à intervalles réguliers, permettant ainsi une distribution uniforme de la chaleur sur toute la surface du plateau.
- Pour activer le cycle, il est possible de procéder de deux manières distinctes.

ACTIVATION MANUELLE:

Appuyer sur la touche (3) pour activer la fonction START (la led correspondante doit s'allumer).

ACTIVATION AUTOMATIQUE (PRESENCE PLAT):

Positionner le plateau avec les aliments à cuire sur le plan de cuisson vers l'intérieur de façon à déclencher le mécanisme de transduction situé au-dessus du niveau du plan-grille. L'appareil se met automatiquement en marche (condition START) et le cycle de cuisson est lancé.

ARRET:

Le cycle de cuisson s'interrompt automatiquement et un signal sonore est émis au terme de la durée programmée.

En l'absence de programmation du temps de cuisson, l'appareil est maintenu en marche (condition START) jusqu'à ce que le plateau soit retiré du plan de cuisson ou jusqu'à ce que soit enfoncée la touche (3) en allumant la led correspondante au STOP.

Mettre la poignée (6) sur la position 0.

Fermer l'interrupteur situé en amont de la salamandre.

Note: à tout moment, l'opérateur peut intervenir pour activer la fonction STOP - START ou pour modifier les modalités d'utilisation des résistances au moyen des boutons sur le panneau (1) ou encore intervenir sur l'encodeur (5) pour le réglage du temps de cuisson.

Modalite de MAINTIEN

ALLUMAGE:

- Placer l'interrupteur principal en amont de l'appareil sur la position ON.
- Mettre la poignée (6) sur la position 1.
- L'écran (4) se met à clignoter et affiche la dernière donnée sélectionnée au préalable.
- Activer la fonction de maintien HOLD en pressant la touche (2): la led correspondante doit s'allumer.
- Sélectionner la puissance (de 1 à 8) en tournant l'encodeur (5), la valeur sera affichée sur l'écran (4).
- Pour activer le cycle, il est possible de procéder de deux manières distinctes:

ACTIVATION MANUELLE:

Appuyer sur la touche (3) pour activer la fonction START (la led correspondante doit s'allumer).

ACTIVATION AUTOMATIQUE (PRESENCE PLAT):

Positionner le plateau avec les aliments à cuire sur le plan de cuisson vers l'intérieur de façon à déclencher le mécanisme de transduction situé au-dessus du niveau du plan-grille.

L'appareil se met automatiquement en marche (condition START) et le cycle de cuisson est lancé.

ARRET:

- Le cycle de maintien de la température est interrompu exclusivement en retirant le plateau du plan de cuisson ou en pressant la touche (3), en allumant la led de référence au STOP.
- Mettre la poignée (6) sur la position 0.
- Fermer l'interrupteur situé en amont de la salamandre

4. INSTRUCTIONS POUR L'UTILISATION HI TOUCH (en présence de plat)

L'appareil ne doit en aucun cas être utilisé pour un usage autre que celui prévu. Toute autre utilisation doit être considérée comme impropre. Durant son fonctionnement, veiller à surveiller l'appareil.

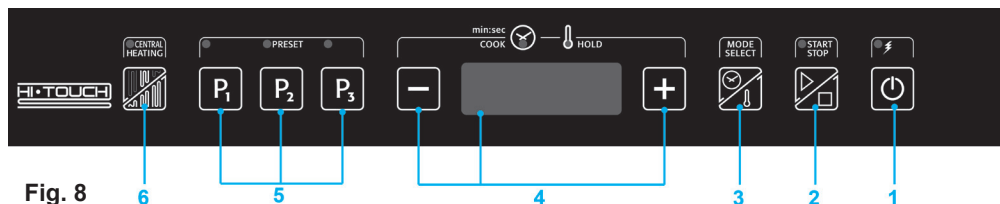


Fig. 8

4.1 Mise en service

Modalité CUISSON:

le réglage de la hauteur du module de chauffe permet d'obtenir le réglage de l'intensité de la chaleur sur les aliments à cuire; plus la distance entre aliments et source de rayonnement est grande, moindre est l'intensité de pénétration de la chaleur.

Modalité MAINTIEN:

le mouvement de la salamandre doit être à la hauteur maximum au-dessus du niveau du plan de cuisson (**Fig. 6**). Le fonctionnement à intermittence des résistances latérales permet de maintenir durablement les aliments présents sur le plateau à la température atteinte lors de la phase précédente de cuisson.

4.2 Preparation

Avant de mettre en service la salamandre, il est nécessaire de retirer l'emballage et de procéder à un nettoyage pour éliminer les graisses industrielles de protection en procédant comme suit:

- nettoyer l'appareil à l'aide d'une éponge humidifiée avec de l'eau et du détergent neutre;
- rincer la grille avec de l'eau propre.

4.3 User interface

Légende **fig.8.**



Touche allumage/arrêt de l'appareil; avec la machine sur Off toutes les puissances sont éteintes ;



Cette touche est utilisée pour effectuer le Start et le stop de la cuisson et du maintien;



Cette touche permet de choisir entre la fonction cuisson et la fonction maintien en cuisson manuelle; en phase de modification du programme, elle est aussi utilisée pour passer de la sélection de la cuisson à la sélection de maintien et vice versa;



Ces touches permettent d'augmenter ou diminuer le temps de cuisson et/ou la puissance du maintien ;



Cette touche permet de déterminer si la cuisson est effectuée à travers les résistances centrales uniquement ou bien avec toutes les résistances;

Ces touches ne sont pas actives en modalité Start; par conséquent les indications suivantes se réfèrent toutes à la machine sur ON et en STOP. En pressant brièvement l'une des 3 touches, on sélectionne le programme relatif à la touche pressée. En revanche, en pressant longuement la touche, on entre dans la modalité de modification du programme; en pressant à nouveau brièvement la touche en modalité modification de programme, on sauvegarde les sélections courantes et on revient au fonctionnement normal.



MODALITE MANUELLE

Mettre en marche la salamandre à l'aide de la touche ON/OFF

Sélectionner, avec la touche MODE SELECT le type de fonctionnement (cuisson ou maintien – la led correspondante dessus l'écran s'allume).

Sélectionner le temps ou la puissance et ensuite presser START ou bien poser le plat sur le dispositif de puissance pour faire partir le cycle (la cuisson terminera à la fin du temps sélectionné (un buzzer s'enclenchera), le maintien sera interrompu en pressant START/STOP ou bien en retirant le plat (en désexcitant le dispositif de présence).

MODALITE D'UTILISATION D'UN PROGRAMME

Mettre en marche la salamandre moyennant la touche ON/OFF

Choisir le programme désiré à l'aide des touches P1 ou P2 ou P3

Presser start ou poser le plat de la même sorte du fonctionnement manuel.

SELECTION D'UN PROGRAMME

Mettre en marche la machine moyennant la touche ON/OFF

Presser la touche du programme désiré (P1 ou P2 ou P3) jusqu'à ce que l'écran commence à clignoter

Avec la touche SELECT/MODE, sélectionner cuisson ou maintien puis sélectionner le temps à l'aide des touches + et -

Au cas où la fonction cuisson aurait été sélectionnée, il est possible de faire suivre automatiquement une phase de maintien en pressant, après la sélection du temps, la touche SELECT/MODE et ensuite en sélectionnant une puissance de 1 à 8. En pressant la touche du programme encore une fois, le programme est sauvegardé. Si la touche du programme est pressée sans avoir sélectionné une phase de maintien, le programme sera mémorisé seulement pour la cuisson.

EXTINCTION

A la fin du travail, éteindre la machine à l'aide de la touche ON/OFF et couper le courant électrique en ouvrant l'interrupteur omnipolaire situé en amont.

5. NETTOYAGE ET ENTRETIEN

5.1 Entretien Ordinaire

En fin de journée, il est nécessaire de nettoyer l'appareil, tant pour des raisons d'hygiène que pour prévenir les anomalies de fonctionnement. Avant de procéder au nettoyage, couper l'alimentation électrique de l'appareil.

Nettoyer les parties en acier inox avec de l'eau tiède savonneuse, puis bien rincer et essuyer soigneusement. Ne pas utiliser des produits contenant du chlore.

Ne pas nettoyer l'appareil à l'aide de jets d'eau directs ni de jets d'eau à haute pression et ne pas utiliser de pailles de fer ni de brosses ou racloirs en acier standard. Il est éventuellement possible d'utiliser de la laine d'acier inoxydable en veillant à la passer dans le sens du satinage.

Dans le cas où l'appareil ne serait pas utilisé pendant une longue période, il est nécessaire d'appliquer sur toutes les parties en acier une fine couche d'huile de vaseline à l'aide d'un chiffon; veiller en outre à aérer le local dans lequel l'appareil est installé.

6. MISE AU REBUT DE L'APPAREIL

L'appareil, à la fin de son cycle de vie, devra obligatoirement être détruit conformément aux lois en vigueur.

Le symbole de la **Fig.9** indique que, à la fin de sa vie utile, l'appareil doit être mis au rebut conformément aux indications de la directive du parlement européen 2012/19/EU du 04/06/2012.



Fig. 9

Informations sur la mise au rebut dans les pays de l'union européenne

La directive communautaire sur les appareils DEEE a été reçue de manière différente par chaque pays. Par conséquent, pour mettre cet appareil au rebut, il est conseillé de contacter les autorités locales ou le revendeur pour s'informer sur la méthode correcte de mise au rebut



INHALTSVERZEICHNIS

1. INSTALLATION	37
1.1 Allgemeine Hinweise und Sicherheitshinweise	37
1.2 Aufstellung	40
1.3 Elektrischer Anschluss	40
2. BEDIENUNGSANLEITUNG MODELLE HI-LITE	41
2.1 Inbetriebnahme	41
2.2 Einstellung	42
3. BEDIENUNGSANLEITUNG MODELLE MIT TELLER	44
3.1 Inbetriebnahme	44
3.2 Einstellung	44
4. BEDIENUNGSANLEITUNG HI TOUCH (mit Teller)	47
4.1 Inbetriebnahme	47
4.2 Einstellung	47
4.3 Bedienblende	48
5. WARTUNG UND REINIGUNG	49
5.1 Regelmässige Wartung	49
6. ENTSORGUNG DES GERÄTS	50

Sehr geehrte Kunden,

wir möchten uns für das Vertrauen bedanken, das durch den Kauf eines unserer Produkte in uns gesetzt wurde. Dieser Ofen ist Teil einer Elektrogeräteserie, die für die Gastronomie entwickelt wurde. Diese Öfen haben ein angenehmes modernes Design, sind leicht zu bedienen, ergonomisch und verfügen über eine Kontrolle der Backzeit.

Es besteht für die Backöfen eine Garantie von 12 Monaten mit Beginn des Rechnungsdatums für eventuelle Fabrikationsfehler. Die Garantie umfasst die normale Funktion des Ofens. Ausgeschlossen von ihr sind Verschleißmaterial (Glühbirnen, Dichtungen etc.) und Schäden, die verursacht wurden während Installation, Wartung, Reparatur und Entkalkung sowie durch falsche Reinigung, unsachgemäßem Gebrauch und Manipulation.

1. INSTALLATION

1.1 Allgemeine Hinweise und Sicherheitshinweise

- Lesen Sie die vorliegende Anleitung vor der Installation und Inbetriebnahme des Ofens sorgfältig durch, da die beigefügte Dokumentation wichtige Informationen zur Sicherheit während der Installation, Nutzung und Wartung des Geräts enthält.
- Bewahren Sie das Dokument an einem leicht zugänglichen Ort auf, damit sich jeder Bediener schnell und einfach informieren kann.
- Wenn der Ofen umgestellt wird, dann befestigen Sie die Anleitung zuvor an diesem. Wenn nötig, dann fordern Sie beim autorisierten Händler oder direkt beim Hersteller eine neue Kopie an.
- Versichern Sie sich nach Entfernen der Verpackung, dass das Gerät unversehrt ist und keine Transportschäden aufweist. Ein beschädigtes Gerät darf unter keinen Umständen installiert oder in Betrieb genommen werden. Im Zweifel kontaktieren Sie sofort den technischen Kundendienst oder den Händler Ihres Vertrauens.
- Vor dem Anschluss des Geräts muss sichergestellt werden, dass das mitgelieferte Versorgungskabel nicht beschädigt ist. Sollte dies der Fall sein, so muss es vom Technischen Kundendienst oder von qualifiziertem Personal ausgetauscht werden
- Prüfen Sie vor der Installation des Geräts, dass die Anlagen mit den geltenden Vorschriften des Landes, in dem sie verwendet werden und den Angaben des Typenschildes übereinstimmen.
- Die Kontakte der Vorrichtung müssen entsprechend der Installationshinweise einen Mindestabstand einhalten, um unter den Bedingungen der Überspannungskategorie III eine vollständige Trennung zu ermöglichen. Diese Vorrichtung muss so installiert sein, dass sie jederzeit durch den Bediener bedient werden kann.
- Die Installation,

außerordentliche Wartung und Reparaturarbeiten des Geräts dürfen ausschließlich von qualifiziertem Fachpersonal durchgeführt werden, das die Anweisungen der Herstellerfirma befolgt.

- Das Gerät wurde für das Zubereiten von Lebensmitteln in geschlossenen Räumen entwickelt und darf ausschließlich dafür verwendet werden: Jeder andere Gebrauch ist somit unsachgemäß und gefährlich und muss daher vermieden werden.
- Das Gerät darf nur von Personal verwendet werden, das entsprechend für seinen Gebrauch geschult wurde. Um die Unfallgefahr oder Gefahr von Schäden am Gerät zu vermeiden, ist es außerdem wichtig, dass das Personal regelmäßig präzise Anweisungen zu den Sicherheitsvorkehrungen erhält.
- Das Gerät darf nicht von Personen mit beeinträchtigten körperlichen und geistigen Fähigkeiten bzw. eingeschränkter Wahrnehmung, oder mit unzureichender Erfahrung und Kenntnis verwendet werden, außer der Bedingung ihrer Beaufsichtigung oder Anleitung hinsichtlich der sicheren Handhabung des Geräts.
- Kinder müssen beaufsichtigt werden, um sicherstellen zu können, dass sie nicht mit dem Gerät spielen oder es in Betrieb nehmen.
- Sollte das Gerät direkt an einer Wand aufgestellt werden, so muss diese gegen Temperaturen bis 80 °C beständig sein und falls sie entflammbar sein sollte, muss eine Wärmeschutzdämmung vorgesehen werden.
- Die Öffnungen und Schlitze zur Ansaugung von Luft und zur Ableitung der Wärme dürfen nicht versperrt werden
- Während des Betriebs muss auf die heißen Zonen der Oberfläche des Geräts geachtet werden, deren Temperatur auf über 60 °C steigen kann.
- Bei Störungen oder schlechter Funktionsweise, muss das Gerät ausgeschaltet

-
- werden. Wenden Sie sich für eventuelle Reparaturen ausschließlich an von der Herstellerfirma autorisierte Kundendienstzentren und verwenden Sie nur Original-Ersatzteile.
- Trennen Sie vor jeglichem Eingriff der Installation oder Wartung das Gerät von der Stromversorgung ab.
 - Es dürfen keine entzündlichen Substanzen in der Nähe des Geräts gelagert oder verwendet werden.
 - Bei längerem Nichtverwenden der Apparatur muss der Anschluss an Wasser, Strom und Gas unterbrochen werden.
 - Kontrollieren Sie, bevor Sie das Gerät in Betrieb nehmen, ob alle Verpackungsteile entfernt wurden und diese entsprechend der geltenden Vorschriften entsorgt wurden.
 - Jede notwendige Änderung an der Installation der Apparatur muss von autorisiertem Fachpersonal genehmigt und durchgeführt werden.
 - Das Gerät ist nur für einen professionellen Einsatz bestimmt.
 - Änderungen an der Verkabelung der Apparatur sind dabei nicht zugelassen.
 - Bei Missachtung der v o r h e r g e h e n d e n Warnhinweise kann die Sicherheit des Geräts als auch Ihre beeinträchtigt werden.
 - Das Typenschild liefert wichtige technische Informationen: Sie sind unerlässlich im Falle von Anfrage auf Eingriff für eine Wartung oder eine Reparatur der Apparatur; man empfiehlt daher, es nicht zu entfernen, zu beschädigen oder zu ändern.
 - Die Apparatur entspricht den grundlegenden Anforderungen der Maschinenrichtlinie 2006/42/EG.
 - Das Gerät entspricht den grundlegenden Vorgaben der Richtlinie zur Elektromagnetischen Verträglichkeit 2014/30/EG.
 - Das Gerät entspricht der grundlegenden Vorgabe der Niederspannungsrichtlinie 2014/35/EG.

1.2 Aufstellung

Das Gerät aus der Verpackung nehmen und auf Transportschäden überprüfen.

Vor der Installation vom Gerät die beiden Schrauben entfernen, mit denen die Isolierung an der Geräterückseite befestigt ist (**Abb. 1**).

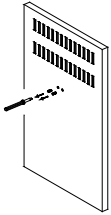


Abb. 1

Das Gerät am vorgesehenen Installationsort aufstellen. Dabei darauf achten, dass es nicht an brennbare Wände oder Verkleidungen bzw. auf brennbarem Untergrund aufgestellt wird. Der Salamander muss unter einer Abzugshaube aufgestellt werden, damit eine komplette Ableitung der beim Kochen entstehenden Dämpfe gewährleistet werden kann.

Das Gerät nicht auf heißen Oberflächen installieren.

Das Gerät über die Stellfüße waagrecht ausrichten und die Höhe regulieren.

Die Schutzfolie von den äußeren Verkleidungen abziehen. Die Folie langsam abziehen, damit kein Klebstoff haften bleibt.

Die Öffnungen und Schlitze zum Ansaugen von Luft oder Ableiten der Wärme dürfen nicht abgedeckt werden!

Sollte das Gerät auf einem Tisch aufgestellt werden, muss zwischen der Geräterückseite und der Rückwand ein

Mindestabstand von 50 mm eingehalten werden (**Abb. 2**).

Sollte der Salamander an der Wand positioniert werden, sind die dementsprechenden Regale zu verwenden, die ausschließlich mit den für die Wand und das Gerätegewicht geeigneten Metallschrauben und Dübeln befestigt werden dürfen.

1.3 Elektrischer Anschluss

Vor dem Stromanschluss sicherstellen, dass die auf dem Typenschild angegebenen Spannungs- und die Frequenzwerte denen vom Stromnetz entsprechen.

Das Gerät ist bei Lieferung auf den Betrieb ausgelegt, der auf dem Typenschild an der Geräteseite angegeben ist.

Zur Durchführung vom Stromanschluss die Klemmleiste an der rechten Geräteseite öffnen, ein Kabel (H07RN-F) geeigneter Größe durch die Öffnung

an der Geräterückseite führen und dann an die Klemmleiste anschließen. Dabei den Schaltplan beachten. Dann einen für die Stromaufnahme geeigneten, genormten Stecker an das Stromkabel anschließen und diesen in eine geeignete Steckdose stecken. Sicherstellen, dass die Steckdose laut den einschlägig gültigen Bestimmungen wirksam geerdet ist.

MOD	XXXX	NR	XXXXXXXX/XX/XX		
POWER SUPPLY	xxxV xN xx/xx Hz				
TOT POWER kW	XX	CE	IP	G*	

Abb. 3

Für den direkten Netzanschluss muss zwischen dem Gerät und der Leitung ein mehrpoliger Schalter installiert werden, der auf die Stromaufnahme ausgelegt ist und eine Kontaktöffnungsweite von mindestens 3 mm aufweist.

Die Speisespannung darf bei laufendem Gerät nicht mehr als $\pm 10\%$ von der Nennspannung abweichen.

Das Gerät muss an eine Erdungsanlage angeschlossen ist, deren Wirksamkeit nach Vorgabe der geltenden Bestimmungen geprüft werden muss.

2. BEDIENUNGSANLEITUNG MODELLE HI-LITE

Dieses Gerät darf nur für den Zweck verwendet werden, für den es ausdrücklich gebaut worden ist. Jeder andere Gebrauch ist unsachgemäß und damit verboten. Das Gerät nicht unbeaufsichtigt betreiben.

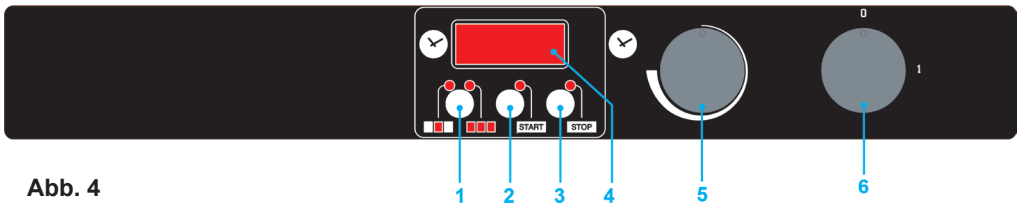


Abb. 4

2.1 Inbetriebnahme

Das Gerät wurde zum Kochen, Aufwärmen, Grillen und Warmhalten von Speisen mit Infrarotstrahlen mit sehr hoher Temperatur gebaut, die von einer oben im Gerät installierten Wärmequelle abgegeben werden. Durch eine unterschiedliche Positionierung vom Deckel lässt sich die Temperatur an den Speisen regulieren. Je größer der Abstand zwischen den Speisen und der Wärmequelle

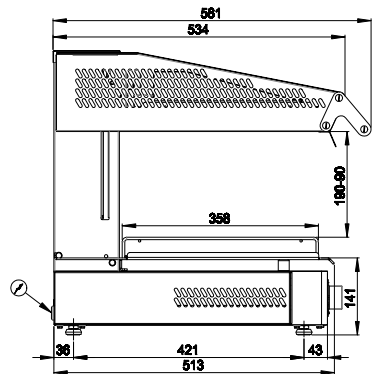


Abb. 5

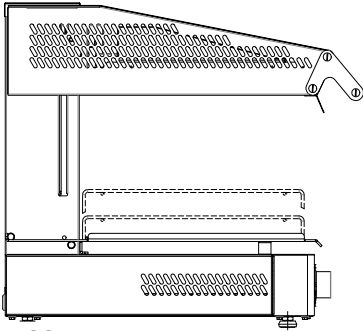


Abb. 6

ist, desto geringer ist die Hitze an den Speisen.

Vor Inbetriebnahme vom Salamander müssen das gesamte Verpackungsmaterial und die industriellen Schutzfette gründliche entfernt werden. Dazu wie folgt vorgehen:

- Das Gerät mit einem Schwamm sauber machen, der mit Wasser und neutralem Reinigungsmittel befeuchtet worden ist.
- Den Rost mit sauberem Wasser abspülen.

2.2 Einstellung

Legende Abb. 4

- 1. Auswahl der Heizelemente:** Gerät mit zwei Heizschlangen: Wenn die linke Kontrollleuchte eingeschaltet ist, funktionieren beide Heizschlangen mit voller Leistung. Wenn die rechte Kontrollleuchte eingeschaltet ist, schalten sich die Heizschlangen ein und aus. Geräte mit drei oder vier Heizschlangen: Wenn die linke Kontrollleuchte eingeschaltet ist, funktionieren nur die mittleren Heizschlangen. Wenn die rechte Kontrollleuchte eingeschaltet ist, funktioniert das Gerät mit voller Leistung und die mittleren Heizschlangen schalten sich ein und aus.
- 2. START** Taste zum Einschalten vom Gerät.
- 3. STOP** Taste zum Abschalten vom Gerät und vom Summer.
- 4. Display eingestellte Zeit.**
- 5. Timer.**
- 6. Hauptschalter** (Salamander ohne Warmhaltung): 0 = OFF, 1 = ON
- 7. Hauptschalter** (Salamander mit Warmhaltung): 0 = OFF, 1 = Warm / Halten, 2 = ON.

SALAMANDER MIT 3 HEIZELEMENTEN

EINSCHALTEN:

- Den dem Gerät vorgeschalteten Hauptschalter schließen.
- Den Knebel (6) auf Position 1 drehen.

-
- Die Garzeit einstellen (15 sec. bis 20 min) und dazu den Knebel 5 drehen. Die Zeit wird auf dem Display 4 angezeigt.
 - Das Heizelement an der Taste 1 auswählen.

Wenn beim Salamander mit 3 Heizelementen die Kontrollleuchte 2 ausgewählt wird, schaltet sich die mittlere Heizschlange beim Garen in regelmäßigen Abständen ein und aus.

Wenn beim Salamander mit 4 Heizelementen die Kontrollleuchte 2 ausgewählt wird, schalten sich die mittleren Heizschlangen beim Garen in regelmäßigen Abständen ein und aus.

Das automatische Ein- und Ausschalten der mittleren Heizschlangen garantiert für eine gleichmäßige Verteilung der Wärme auf der gesamten Gerätefläche.

- Die START Taste 2 drücken, um den Garzyklus zu starten.
- Nach Ablauf der eingestellten Garzeit schaltet sich der Salamander automatisch ab und ein Summer wird eingeschaltet, der durch Drücken der STOPP Taste 3 abgeschaltet werden kann.

ACHTUNG!:

- Wenn die START Taste 2 wieder gedrückt wird, startet der Salamander erneut den eingestellten Garzyklus.
- Wenn die STOPP Taste 3 bei laufendem Gerät gedrückt wird, schaltet sich der Salamander ab, ohne dass der Summer ertönt.

AUSSCHALTEN:

- Die Taste 3 drücken.
- Den Knebel 6 auf Position 0 drehen.
- Den Hauptschalter ausschalten, der vor dem Salamander installiert ist.

3. BEDIENUNGSANLEITUNG MODELLE MIT TELLER

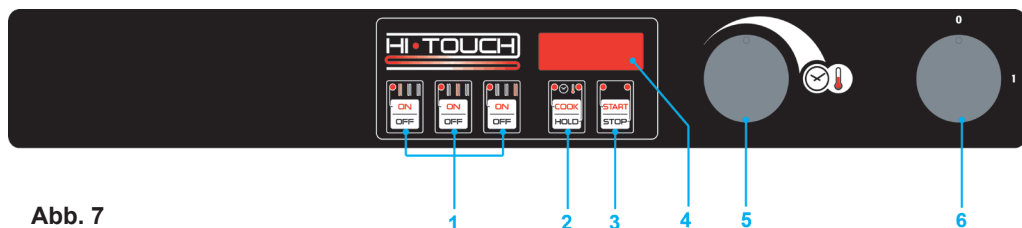


Abb. 7

Dieses Gerät darf nur für den Zweck verwendet werden, für den es ausdrücklich gebaut worden ist. Jeder andere Gebrauch ist unsachgemäß und damit verboten. Das Gerät nicht unbeaufsichtigt betreiben.

3.1 Inbetriebnahme

GAREN:

Durch Verstellen der Höhe vom Heizelement lässt sich die Temperatur an den Speisen regulieren. Je größer der Abstand zwischen den Speisen und der Wärmequelle ist, desto geringer ist die Hitze an den Speisen.

Salamandern mit festem Oberteil (SFH....). Wärmewert, kann nur eingestellt werden durch das verschieben der Roste oder Bläche von Unten nach Oben **Abb. 6**.

ACHTUNG: die Roste oder Bläche, können sehr heiß sein und Verbrennungen verursachen. VORSICHT!

WARMHALTEN:

Der Salamander muss auf maximale Höhe über dem Kochfeld eingestellt werden (**Abb. 5**).

Durch das Ein- und Ausschalten der seitlichen Heizelemente behalten die Speisen auf dem Tablett die beim vorhergehenden Garzyklus erreichte Temperatur lange Zeit bei.

3.2 Einstellung

Vor Inbetriebnahme vom Salamander müssen das gesamte Verpackungsmaterial und die industriellen Schutzfette gründliche entfernt werden. Dazu wie folgt vorgehen:

- Das Gerät mit einem Schwamm sauber machen, der mit Wasser und neutralem Reinigungsmittel befeuchtet worden ist.

-
- Den Rost mit sauberem Wasser abspülen.

Legende **Abb. 7:**

- 1a** Auswahl vom linken Heizelement
- 1b** Auswahl des/der zentrale/n Heizelement/e
- 1c** Auswahl vom rechten Heizelement
- 2** Auswahl Garen (COOK) oder Warmhalten (HOLD)
- 3** START und STOP Taste
- 4** Display
- 5** Knebel zur Einstellung von Garzeit oder Warmhalteprogramm
- 6** Hauptschalter.

GAREN

EINSCHALTEN:

- Den dem Gerät vorgeschalteten Hauptschalter schließen.
- Den Knebel (6) auf Position 1 drehen.
- Das Display (4) blinkt und zeigt den zuletzt eingestellten Wert an.
- Die Garfunktion COOK durch Drücken der Taste (2) einschalten. Die entsprechende Kontrollleuchte schaltet sich ein.
- Die Garzeit durch Drehen vom Knebel (5) einstellen. Die Zeit wird am Display (4) angezeigt.
- Die gewünschten Heizelemente durch Drücken der entsprechenden Tasten (1) einschalten. Das Heizelement ist eingeschaltet, wenn die entsprechende Kontrollleuchte aufleuchtet. Wenn alle drei (oder vier) Heizelemente ausgewählt werden, schaltet sich das mittlere Heizelement automatisch in regelmäßigen Abständen ein und aus, sodass sich die Wärme gleichmäßig auf der gesamten Oberfläche vom Tablett verteilt.
- Es gibt zwei Möglichkeiten, um den Garzyklus einzuschalten.

EINSCHALTEN VON HAND:

Die Taste (3) drücken, um die START Funktion zu aktivieren (die entsprechende Kontrollleuchte schaltet sich ein).

AUTOMATISCHEN EINSCHALTEN (TELLER VORHANDEN):

Das Tablett mit den Speisen auf das Kochfeld stellen und nach hinten schieben, sodass der der Sensor über dem Kochfeld ausgelöst wird.

Das Gerät schaltet automatisch auf START und der Garzyklus beginnt.

AUSSCHALTEN::

Der Garzyklus endet automatisch nach Ablauf der eingestellten Garzeit und der Summer schaltet sich ein. Wenn keine Garzeit eingestellt worden ist, bleibt das Gerät eingeschaltet (START), bis das Tablett vom Kochfeld genommen oder die Taste (3) gedrückt wird und die Kontrollleuchte STOP aufleuchtet.

Den Knebel (6) in Position 0 drehen.

Den Hauptschalter ausschalten, der vor dem Salamander installiert ist.

Hinweis: Das Gerät kann jederzeit abgeschaltet (STOP) oder eingeschaltet (START) werden. Der Betrieb der Heizelemente kann an den Tasten an der Bedienblende (1) geregelt bzw. die Garzeit am Knebel (5) eingestellt werden.

WARMHALTEN

EINSCHALTEN:

- Den dem Gerät vorgeschalteten Hauptschalter schließen.
- Den Knebel (6) auf Position 1 drehen.
- Das Display (4) blinkt und zeigt den zuletzt eingestellten Wert an.
- Die Warmhaltefunktion HOLD durch Drücken der Taste (2) einschalten. Die entsprechende Kontrollleuchte schaltet sich ein.
- Die Leistungsstufe (von 1 bis 8) einstellen und dazu den Knebel (5) drehen. Die Leistungsstufe wird auf dem Display (4) angezeigt.
- Es gibt zwei Möglichkeiten, um den Warmhaltezyklus einzuschalten:

EINSCHALTEN VON HAND:

Die Taste (3) drücken, um die START Funktion zu aktivieren (die entsprechende Kontrollleuchte schaltet sich ein).

AUTOMATISCHES EINSCHALTEN (TELLER VORHANDEN):

Das Tablett mit den Speisen auf das Kochfeld stellen und nach hinten schieben, sodass der Sensor über dem Kochfeld ausgelöst wird.

Das Gerät schaltet automatisch auf START und der Warmhaltezyklus beginnt.

AUSSCHALTEN:

- Der Warmhaltezyklus endet, sobald das Tablett vom Kochfeld genommen oder die Taste (3) gedrückt wird und die Kontrollleuchte STOPP aufleuchtet.
- Den Knebel (6) in Position 0 drehen.
- Den Hauptschalter ausschalten, der vor dem Salamander installiert ist.

4. BEDIENUNGSANLEITUNG HI TOUCH (mit Teller)

Dieses Gerät darf nur für den Zweck verwendet werden, für den es ausdrücklich gebaut worden ist. Jeder andere Gebrauch ist unsachgemäß und damit verboten. Das Gerät nicht unbeaufsichtigt betreiben.

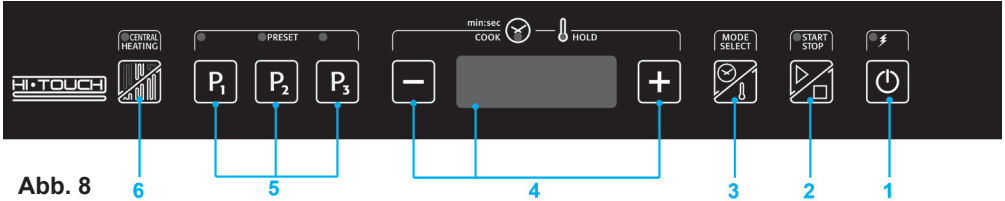


Abb. 8

4.1 Inbetriebnahme

GAREN:

Durch Verstellen der Höhe vom Heizelement lässt sich die Temperatur an den Speisen regulieren. Je größer der Abstand zwischen den Speisen und der Wärmequelle ist, desto geringer ist die Hitze an den Speisen.

WARMHALTEN:

Der Salamander muss auf maximale Höhe über dem Kochfeld eingestellt werden (Abb. 6). Durch das Ein- und Ausschalten der seitlichen Heizelemente behalten die Speisen auf dem Tablett die beim vorhergehenden Garzyklus erreichte Temperatur lange Zeit bei.

4.2 Einstellung

Vor Inbetriebnahme vom Salamander müssen das gesamte Verpackungsmaterial und die industriellen Schutzfette gründliche entfernt werden. Dazu wie folgt vorgehen:

- Das Gerät mit einem Schwamm sauber machen, der mit Wasser und neutralem Reinigungsmittel befeuchtet worden ist.
- Den Rost mit sauberem Wasser abspülen.

4.3 Bedienblende

Legenda **abb.8.**



Ein/Aus-Taste Gerät. Wenn das Gerät ausgeschaltet ist, sind alle Leistungsschaltkreise aus.



Start/Stopp-Taste zum Ein- und Ausschalten vom Garzyklus oder Warmhaltezyklus;



Wähltaste zum Auswählen zwischen der Garfunktion und der Warmhaltefunktion mit manuellem Garen. Bei der Programmierung vom Gerät wird mit dieser Taste zwischen den Einstellungen von Garzyklus und Warmhaltezyklus hin und her geschaltet;



Mit diesen Tasten werden die Garzeit u/o die Wärmeleistung im Warmhaltezyklus gesenkt bzw. erhöht;



Mit dieser Wähltaste kann ausgewählt werden, ob das Garen nur mit der mittleren Heizschlange oder mit allen Heizschlangen erfolgen soll;



Diese Taste sind nicht aktiviert, wenn der Gar- oder Warmhaltezyklus eingeschaltet ist (START), sondern nur bei eingeschaltetem Gerät auf STOPP. Durch kurzes Drücken einer der 3 Tasten kann das entsprechende Programm gewählt werden. Durch längeres Drücken der Taste kann die Programmierungsfunktion aufgerufen werden. Durch erneutes kurzes Drücken in der Programmierungsfunktion werden die Einstellungen gespeichert und das Gerät kehrt in die normale Betriebsart zurück;

BEDIENUNG

Den Salamander an der ON/OFF-Taste einschalten.

Mit der Wähltaste MODE SELECT die Betriebsart (Garen oder Warmhalten) auswählen. Die entsprechende Kontrollleuchte über dem Display schaltet sich ein.

Die Garzeit oder die Wärmeleistung einstellen und dann die START Taste drücken oder den Teller auf den Sensor stellen, um den Zyklus zu starten. Der Garzyklus endet nach Ablauf der eingestellten Garzeit. Am Ende der Garzeit schaltet sich der Summer ein. Der Warmhaltezyklus wird durch Drücken der START/STOPP Taste unterbrochen oder durch Herausnehmen vom Teller (Freigabe vom Sensor).

GEBRAUCH MIT PROGRAMM

Den Salamander an der ON/OFF-Taste einschalten.

Mit der Taste P1, P2 oder P3 das gewünschte Programm wählen.

Die START Taste drücken oder den Teller auf den Sensor stellen, um den Zyklus zu starten.

PROGRAMMIERUNG

Den Salamander an der ON/OFF-Taste einschalten.

Die gewünschte Programmtaste (P1, P2 oder P3) gedrückt halten, bis das Display blinkt.

An der Wähltaste SELECT MODE den Garzyklus oder den Warmhaltezyklus auswählen und dann die Zeit mit den Tasten + und - einstellen.

Wenn die Garfunktion ausgewählt wird, kann automatisch anschließend ein Warmhaltezyklus durchgeführt werden. Dazu nach der Einstellung der Garzeit die Taste SELECT MODE drücken und dann eine Wärmeleistung von 1 bis 8 einstellen. Die Taste vom Programm nochmals drücken, um die Einstellung zu speichern. Wenn die Programmtaste gedrückt wird, ohne dass ein Warmhaltezyklus programmiert wird, wird nur das Programm vom Garzyklus gespeichert.

ABSCHALTEN

Wenn nicht mehr mit dem Gerät gearbeitet wird, das Gerät an der ON/OFF Taste ausschalten und den Strom am Gerät am Trennschalter abschalten, der vor dem Gerät installiert ist.

5. WARTUNG UND REINIGUNG

5.1 Regelmässige Wartung

Nach jedem Arbeitstag das Gerät aus hygienischen Gründen und zur Vermeidung eventueller Betriebsstörungen gründlich reinigen. Vor der Reinigung muss das Gerät vom Stromnetz genommen werden. Dazu den Netzstecker abziehen!

Die Edelstahlteile mit lauwarmem Seifenwasser reinigen, reichlich nachspülen und gründlich abtrocknen.

Das Gerät nicht direkt mit einem Wasserstrahl oder Hochdruckreiniger reinigen und keine Stahlwolle, sowie Bürsten oder Schaber aus Stahl verwenden. Eventuell kann Edelstahlwolle verwendet werden. Dabei in die Richtung der Satinierung reiben.

Bei einem längeren Gerätestillstand alle Edelstahlflächen mit einem in Vaselineöl getränkten Lappen gründlich abreiben, um eine Schutzschicht aufzutragen. Außerdem den Installationsort regelmäßig lüften.

6. ENTSORGUNG DES GERÄTS

Das Gerät muss am Ende seiner Betriebslebensdauer verpflichtend gemäß den gesetzlichen Vorschriften entsorgt werden.

Das Symbol von **Abb. 9** gibt an, dass am Ende seiner Betriebslebensdauer das Gerät gemäß den Anweisungen der Richtlinie des europäischen Parlaments 2012/19/EU des 04/06/2012 entsorgt werden.



Abb. 9

Informationen über die Entsorgung in Ländern der europäischen Gemeinschaft

Die gemeinschaftliche Richtlinie über Geräte VDI wurde in jedem Land unterschiedlich interpretiert; wir empfehlen daher, wenn man dieses Gerät zu entsorgen wünscht, mit den örtlichen Behörden oder dem Händler Kontakt aufzunehmen, um die korrekte Methode der Entsorgung zu erfahren.





THE MANUFACTURER SHALL NOT BE HELD LIABLE FOR ANY DAMAGES DUE TO IMPROPER INSTALLATION, TAMPERING WITH THE APPLIANCE, MISUSE, IMPROPER MAINTENANCE, FAILURE TO COMPLY WITH APPLICABLE STANDARDS AND INTENDED USE.

THE MANUFACTURER RESERVES THE RIGHT TO MAKE CHANGES TO THE PRODUCT AT ANY TIME IT DEEMS NECESSARY OR USEFUL.

LE FABRICANT DÉCLINE TOUTE RESPONSABILITÉ POUR LES DOMMAGES DUS À L'INSTALLATION ERRONÉE, LA MODIFICATION DE L'APPAREIL, L'UTILISATION IMPROPRE, LA MAUVAISE MAINTENANCE, L'INOBSERVATION DES RÉGLEMENTATIONS EN VIGUEUR ET L'INEXPÉRIENCE DANS L'UTILISATION.

LE CONSTRUCTEUR SE RÉSERVE LE DROIT D'APPORTER À TOUT MOMENT LES MODIFICATIONS QU'IL CONSIDÈRE COMME NÉCESSAIRES OU UTILES AU PRODUIT.

DIE HERSTELLERFIRMA LEHNT JEDE HAFTUNG FÜR SCHÄDEN AB, DIE DURCH EINE FALSCH E INSTALLATION, ÄNDERUNGEN AM GERÄT, UNKORREKTE NUTZUNG, SCHLECHTE WARTUNG ODER NICHTBEACHTUNG DER GELTENDEN VORSCHRIFTEN UND UNERFAHRENHEIT VERURSACHT WORDEN SIND.

DAS HERSTELLERUNTERNEHMEN BEHÄLT SICH DAS RECHT VOR, ÄNDERUNGEN AM PRODUKT VORZUNEHMEN, DIE ES FÜR NOTWENDIG ODER NÜTZLICH HÄLT.